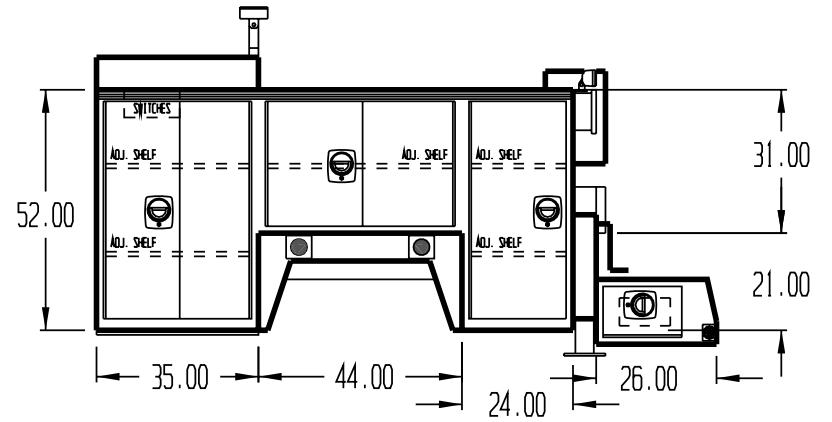
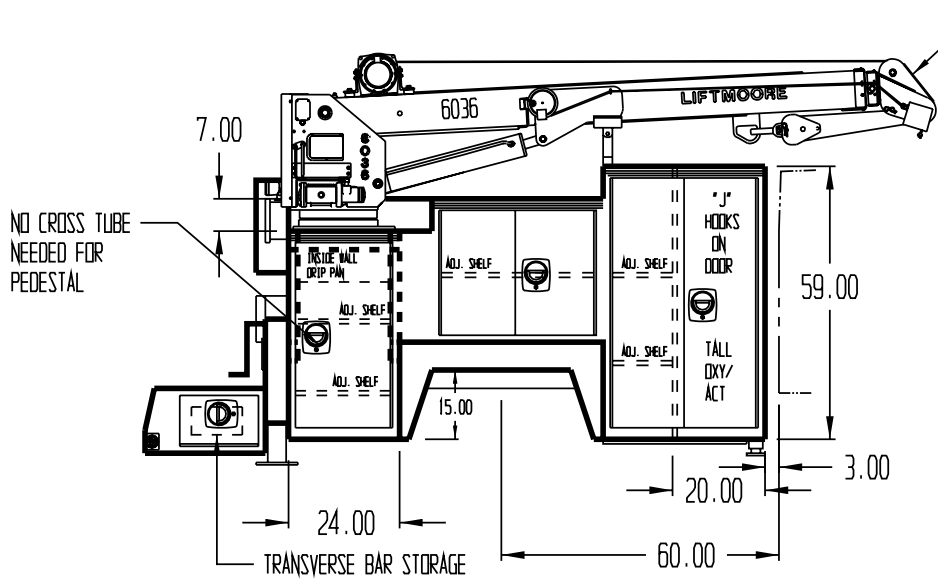


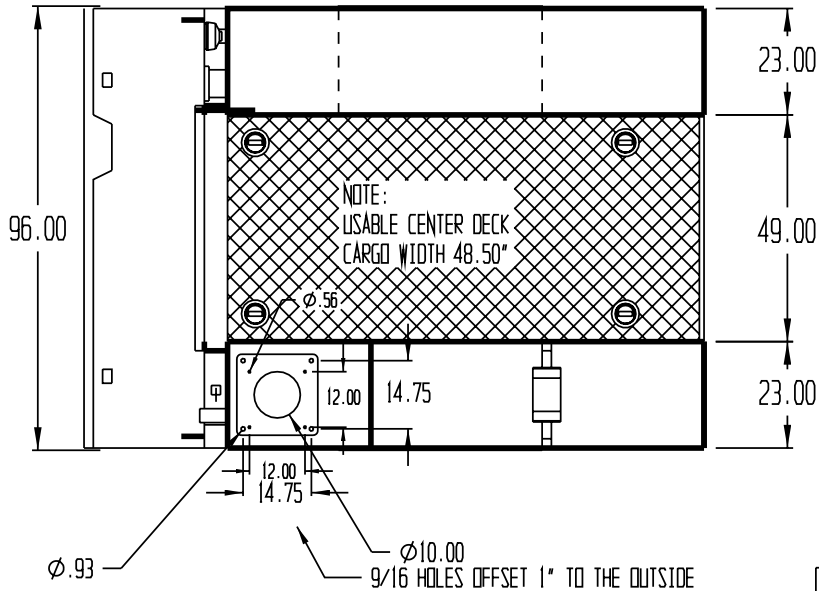
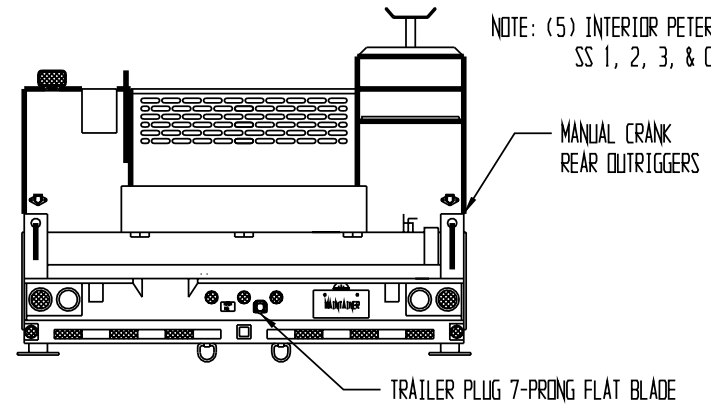
APPROVED BY: _____

DATE: _____

PAINT CODE: F1 RED



NOTE: (5) INTERIOR PETERSON LIGHTS #391
SS 1, 2, 3, & CS 2, 3



NOTE: 4" CROSSMEMBERS
AND 6" MAINSILLS

PLEASE REPORT ANY ERRORS FOUND ON THIS PRINT

THIS PRINT CONTAINS CONFIDENTIAL INFORMATION AND IS THE SOLE PROPERTY OF MAINTAINER CORP. OF IOWA INC. AND IS NOT TO BE COPIED OR REPRODUCED WITHOUT THE EXPRESSED WRITTEN PERMISSION OF MAINTAINER CORP. OF IOWA INC.		PROPRIETARY DATA PROPERTY OF MAINTAINER CORPORATION OF IOWA, INC. COPYRIGHT © 2001	
DIMENSIONS ARE IN INCHES GENERAL TOLERANCES		MATERIAL:	
BREAK ALL EDGES .01 X 45°	ANGULAR ± 1° .XX ± .03 .XXX ± .005	SCALE: 1:32	SIZE: B
LOS RADII	LOS ANGLES	DRAWING NUMBER: Z420-1	DFTM. KJB
MADE IN THE USA		1-084	DATE: 8/28/08
		HOUSTON AUTOMOTIVE GROUP	

Thaintainer
Corporation of Iowa, Inc.
P.O. Box 349 1701 S. 2nd Avenue
Sheldon, Iowa 51201