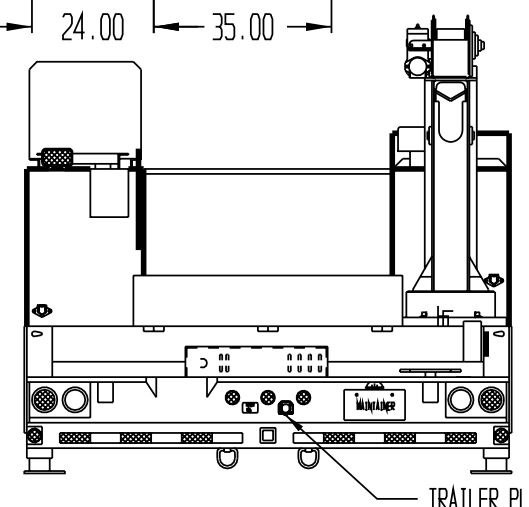
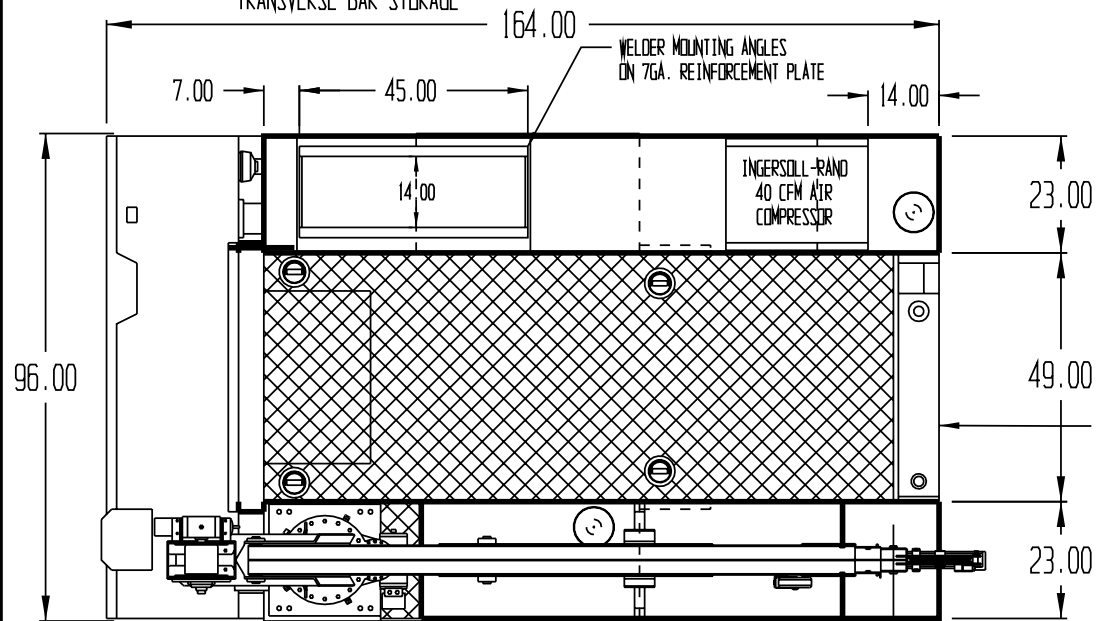
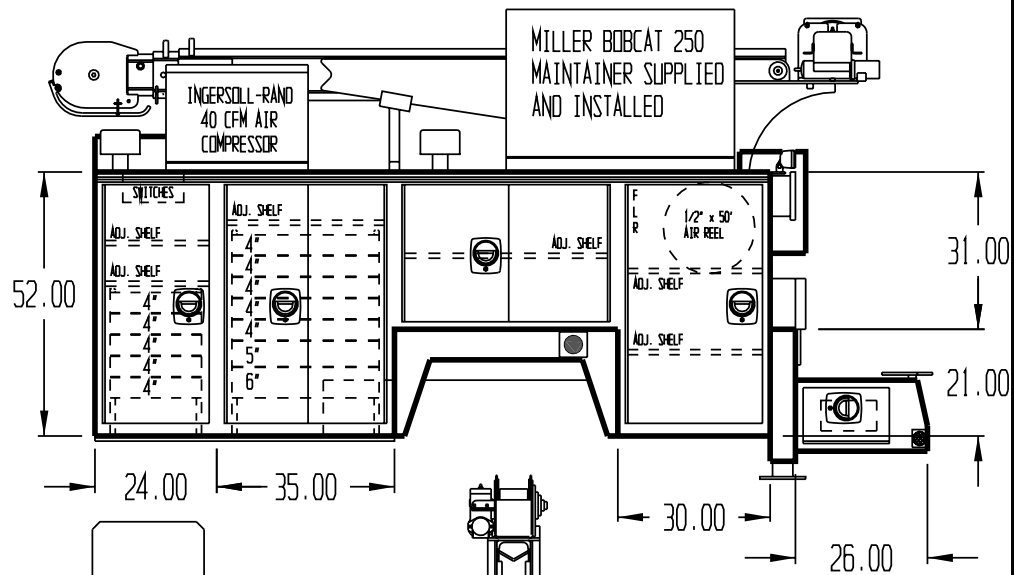
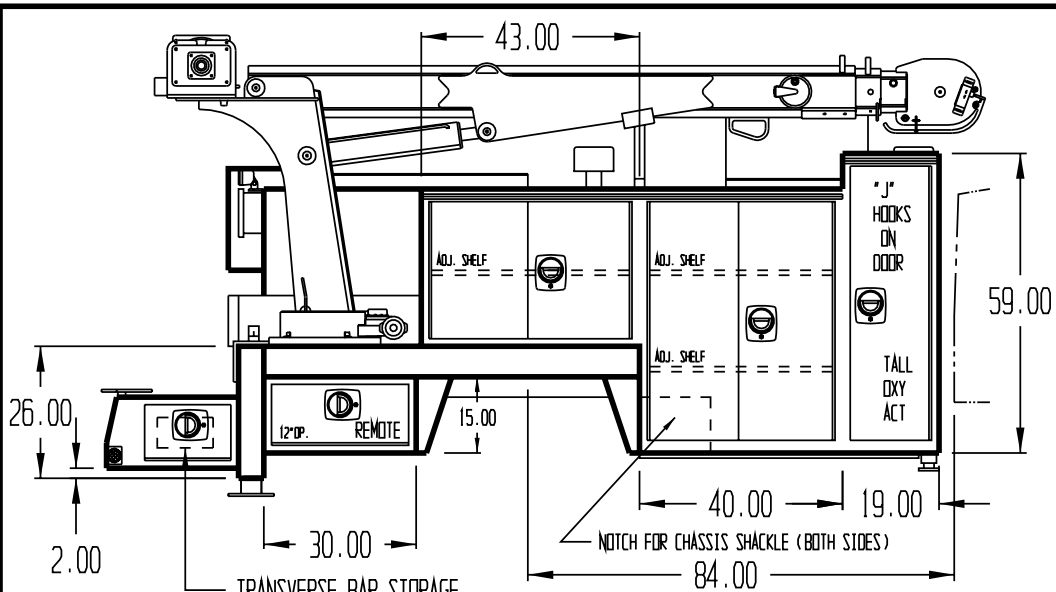


APPROVED BY _____

DATE _____

PAINT CODE _____

PW7 WHITE



NOTE: INTERIOR STRIP LIGHTS
 (3) 36" SS 1, 2 & CS 2
 (6) 12" 2 EA. SS 3, 4 & CS 3

NOTE: LINE-X CARGO CENTER DECK,
 COMPARTMENT TOPS, SIDES, (NOT BACKS),
 FRONT BULKHEAD, TAIL GATE, &
 TAIL GATE EXTENSION, REAR WORK
 BENCH BUMPER, AND STEP

NOTE: TAIL, BACK UP & MARKER
 LIGHTS TO BE L.E.D.

NOTE: 20 GALLON AIR STORAGE
 MOUNTED IN CHASSIS FRAME

SOLID BULKHEAD 9.00

OIL RES.
 37 GALLON

NOTE:
 USABLE CENTER DECK
 CARGO WIDTH 48.50"

NOTE: 6" SILLS &
 4" X-MEMBERS

PLEASE REPORT ANY ERRORS FOUND ON THIS PRINT

THIS PRINT CONTAINS CONFIDENTIAL INFORMATION AND IS THE SOLE PROPERTY OF MAINTAINER CORP. OF IOWA INC. AND IS NOT TO BE COPIED OR REPRODUCED WITHOUT THE EXPRESSED WRITTEN PERMISSION OF MAINTAINER CORP. OF IOWA INC.

PROPRIETARY DATA PROPERTY OF MAINTAINER CORPORATION OF IOWA, INC.

COPYRIGHT © 2002

Thaintainer
 Corporation of Iowa, Inc.
 P.O. Box 349 1701 S. 2nd Avenue
 Sheldon, Iowa 51201

SCALE: 1:26 SIZE: B

DRAWING NUMBER: Z264k

DFTM. KJB DATE:

MADE IN THE USA

THIS PRINT CONTAINS CONFIDENTIAL INFORMATION AND IS THE SOLE PROPERTY OF MAINTAINER CORP. OF IOWA INC. AND IS NOT TO BE COPIED OR REPRODUCED WITHOUT THE EXPRESSED WRITTEN PERMISSION OF MAINTAINER CORP. OF IOWA INC.

PROPRIETARY DATA PROPERTY OF MAINTAINER CORPORATION OF IOWA, INC.

COPYRIGHT © 2002

Thaintainer
 Corporation of Iowa, Inc.
 P.O. Box 349 1701 S. 2nd Avenue
 Sheldon, Iowa 51201

SCALE: 1:26 SIZE: B

DRAWING NUMBER: Z264k

DFTM. KJB DATE: