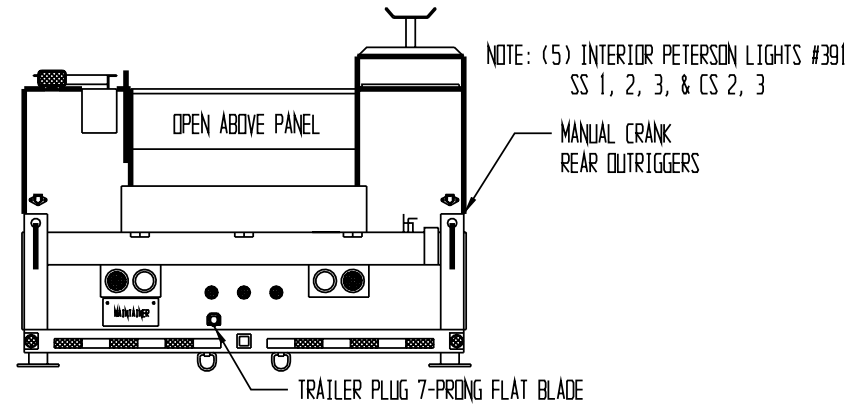
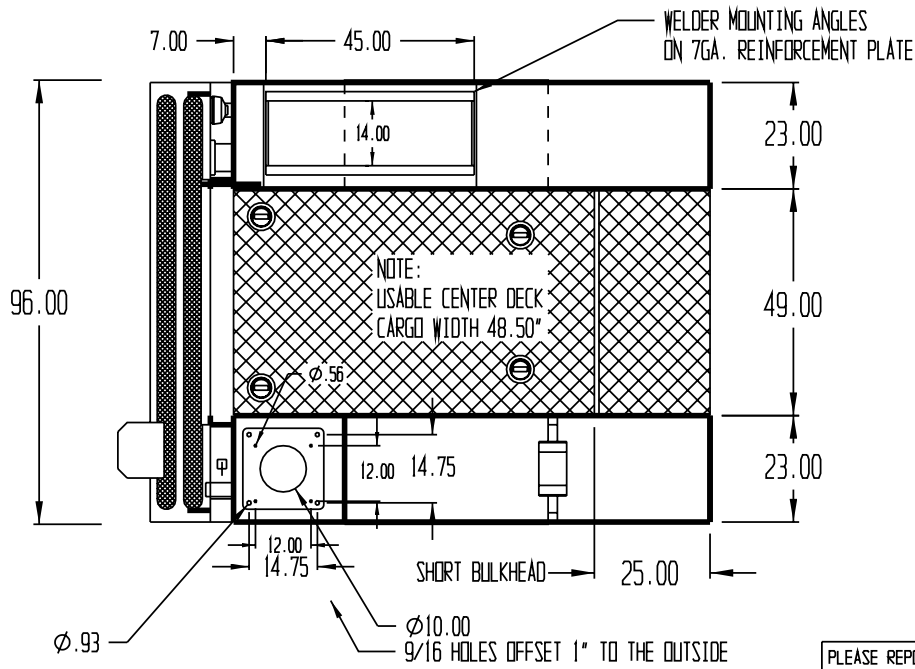
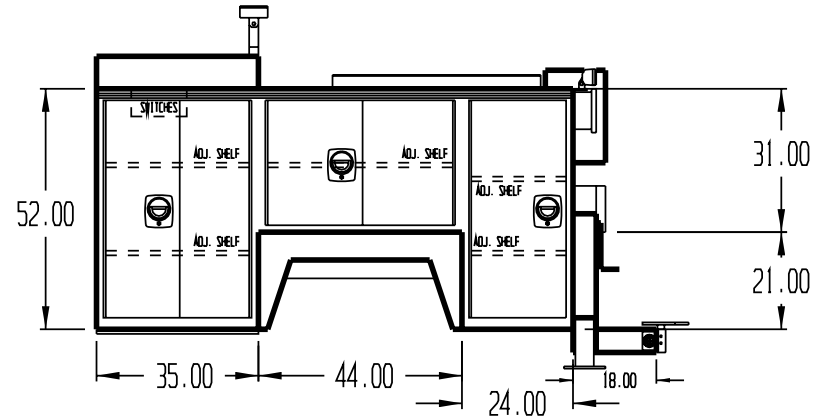
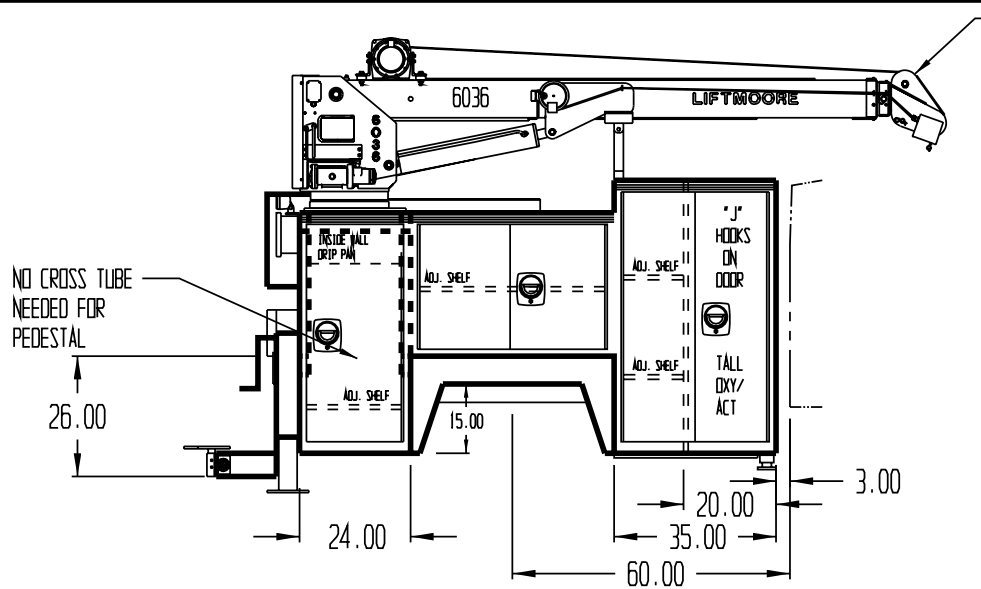


APPROVED BY: _____

DATE: _____

PAINT CODE: _____

WELDER TYPE _____



NOTE: 4" CROSSMEMBERS AND 6" MAINSILLS

PLEASE REPORT ANY ERRORS FOUND ON THIS PRINT

THIS PRINT CONTAINS CONFIDENTIAL INFORMATION AND IS THE SOLE PROPERTY OF MAINTAINER CORP. OF IOWA INC. AND IS NOT TO BE COPIED OR REPRODUCED WITHOUT THE EXPRESSED WRITTEN PERMISSION OF MAINTAINER CORP. OF IOWA INC.

PROPRIETARY DATA PROPERTY OF MAINTAINER CORPORATION OF IOWA, INC.

COPYRIGHT © 2001

ALL DIMENSIONS ARE IN INCHES
GENERAL TOLERANCES

MATERIAL:

BREAK ALL EDGES .01 X 45°

SCALE: 1:32

SIZE: B

ALL RADIUS

DRAWING NUMBER: Z185

DFTM. KJB

DATE: 2-8-08

MADE IN THE USA

1-084

HOUSTON AUTOMOTIVE GROUP

Thaintainer
Corporation of Iowa, Inc.
P.O. Box 349 1701 S. 2nd Avenue
Sheldon, Iowa 51201