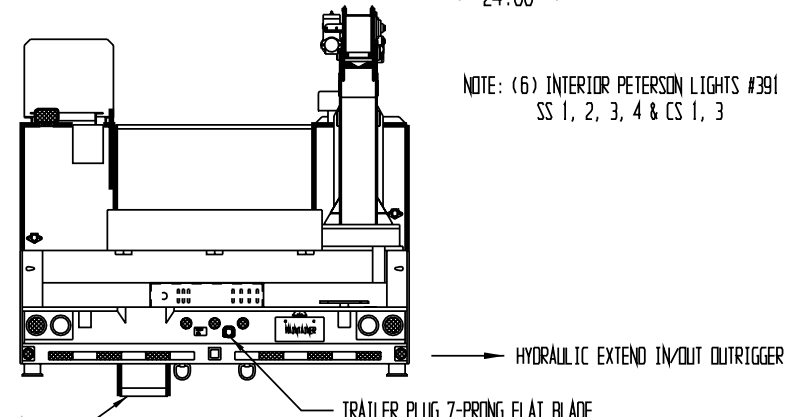
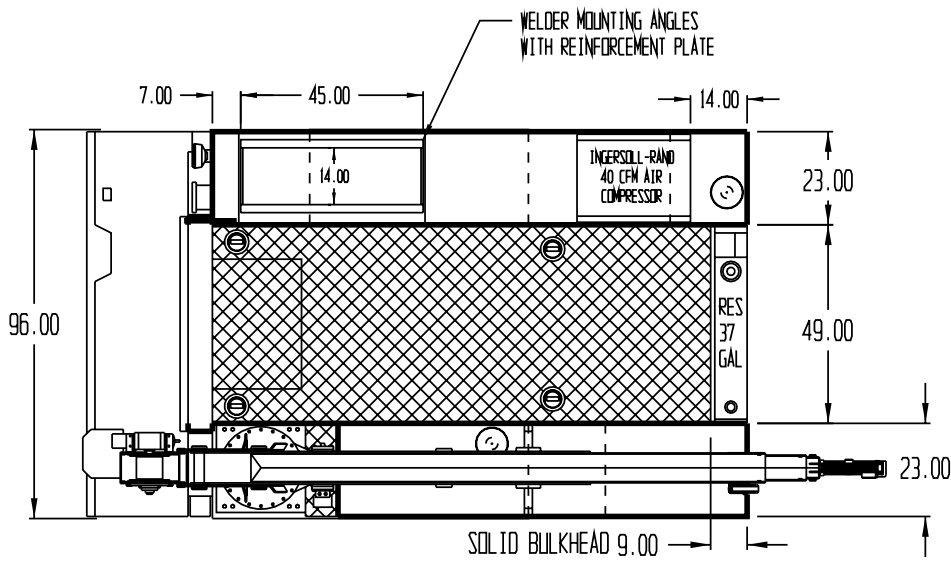
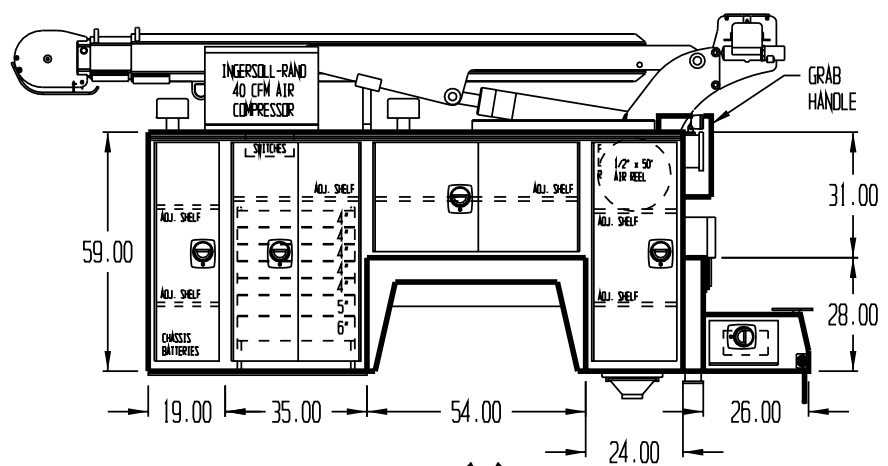
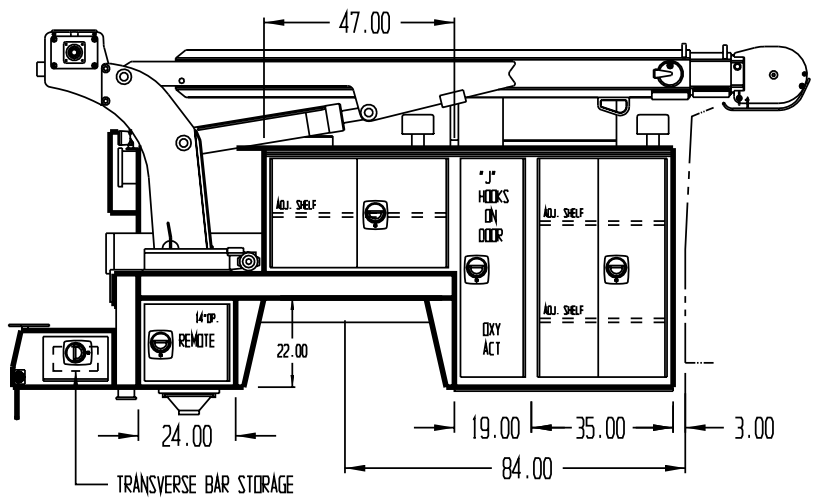


APPROVED BY _____

DATE _____

PAINT CODE _____



NOTE: (6) INTERIOR PETERSON LIGHTS #391 SS 1, 2, 3, 4 & CS 1, 3

NOTE: 20 GALLON AIR STORAGE IN CHASSIS FRAME

NOTE: USABLE CENTER DECK CARGO WIDTH 48.50"

NOTE: 8" SILLS & 4" X-MEMBERS

PLEASE REPORT ANY ERRORS FOUND ON THIS PRINT

THIS PRINT CONTAINS CONFIDENTIAL INFORMATION AND IS THE SOLE PROPERTY OF MAINTAINER CORP. OF IOWA INC. AND IS NOT TO BE COPIED OR REPRODUCED WITHOUT THE EXPRESSED WRITTEN PERMISSION OF MAINTAINER CORP. OF IOWA INC.		PROPRIETARY DATA PROPERTY OF MAINTAINER CORPORATION OF IOWA, INC.	
LIDS DIMENSIONS ARE IN INCHES		MATERIAL:	
GENERAL TOLERANCES		SCALE: 1:32 SIZE: B	
BREAK ALL EDGES .01 X 45°	ANGULAR ± 1° .XX ± .03 .XXX ± .005	DRAWING NUMBER: Z170K-1	
LIDS RADIUS	LIDS ANGLES	DFTM. KJB DATE: 2/18/08	
MADE IN THE USA		100001T-2-084 HOUSTON AUTOMOTIVE GROUP	

