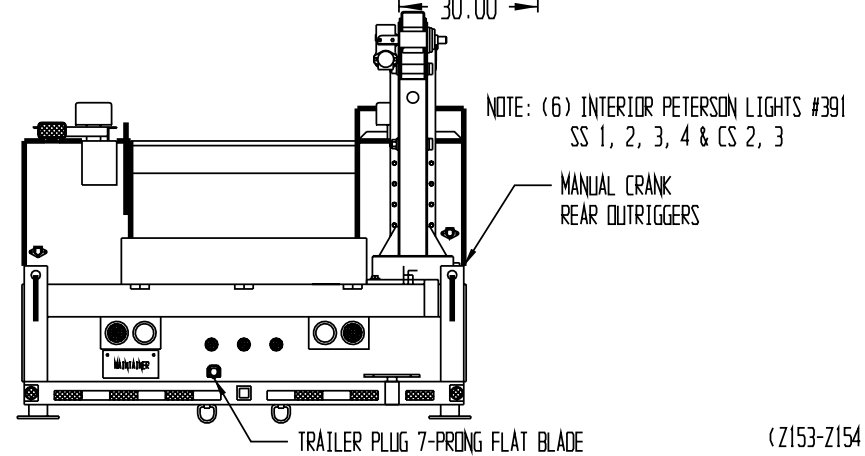
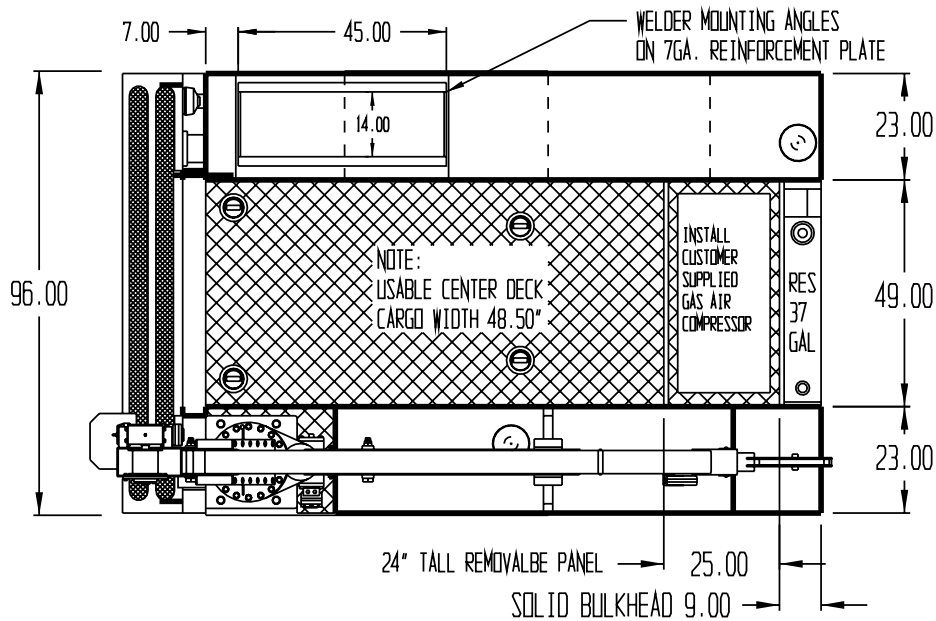
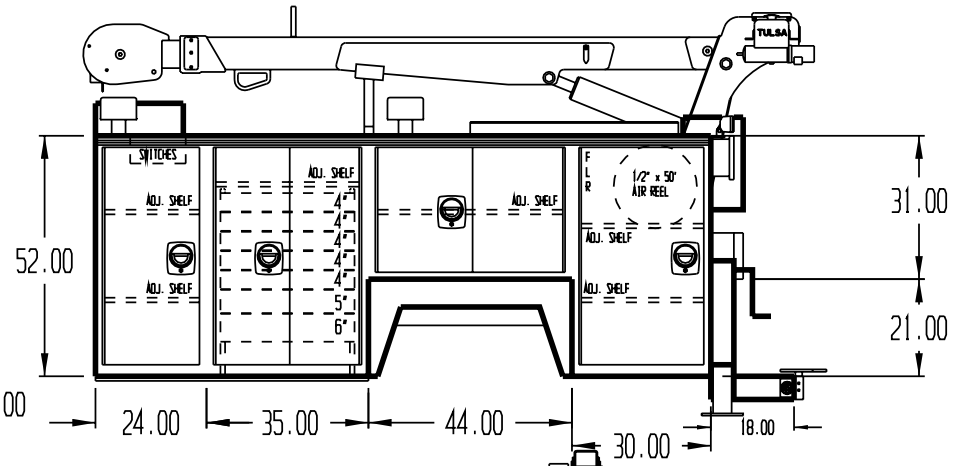
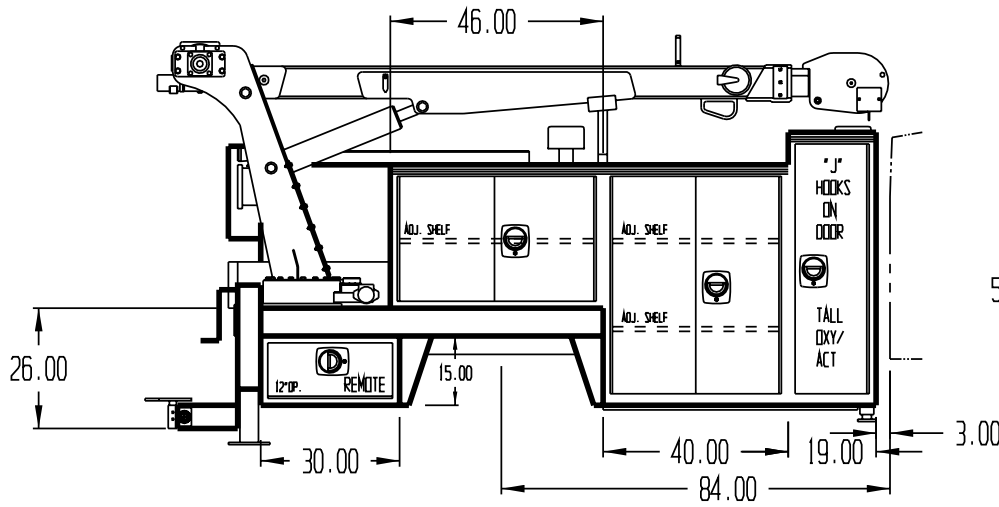


APPROVED BY: _____

DATE: _____

PAINT CODE: B8833EB WHITE

WELDER TYPE _____



PLEASE REPORT ANY ERRORS FOUND ON THIS PRINT

NOTE: 4" CROSSMEMBERS AND 6" MAINSILLS

THIS PRINT CONTAINS CONFIDENTIAL INFORMATION AND IS THE SOLE PROPERTY OF MAINTAINER CORP. OF IOWA INC. AND IS NOT TO BE COPIED OR REPRODUCED WITHOUT THE EXPRESSED WRITTEN PERMISSION OF MAINTAINER CORP. OF IOWA INC.

PROPRIETARY DATA PROPERTY OF MAINTAINER CORPORATION OF IOWA, INC.

COPYRIGHT © 2001

UNITS DIMENSIONS ARE IN INCHES
GENERAL TOLERANCES

MATERIAL:

BREAK ALL EDGES .01 X 45°

SCALE: 1:32

SIZE: B

UNITS RADIUS UNITS ANGLES

DRAWING NUMBER: Z153-1

Thaintainer
Corporation of Iowa, Inc.
P.O. Box 349 1701 S. 2nd Avenue
Sheldon, Iowa 51201

MADE IN THE USA

3216-1-084

DFTM. KJB DATE: 2-26-08

HOUSTON AUTOMOTIVE GROUP

(Z153-Z154)