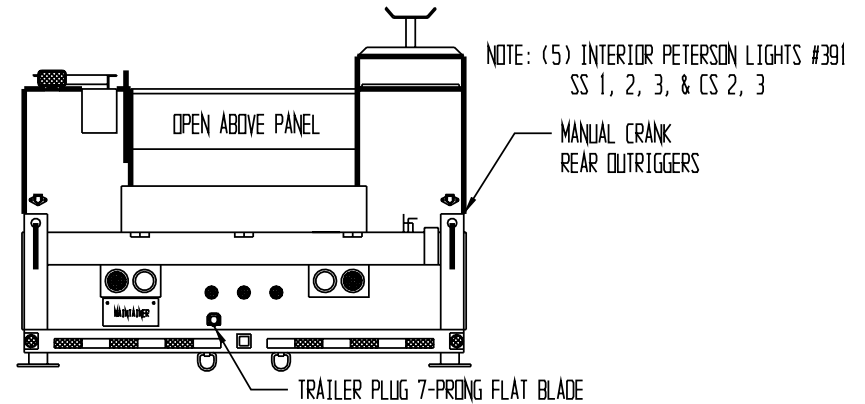
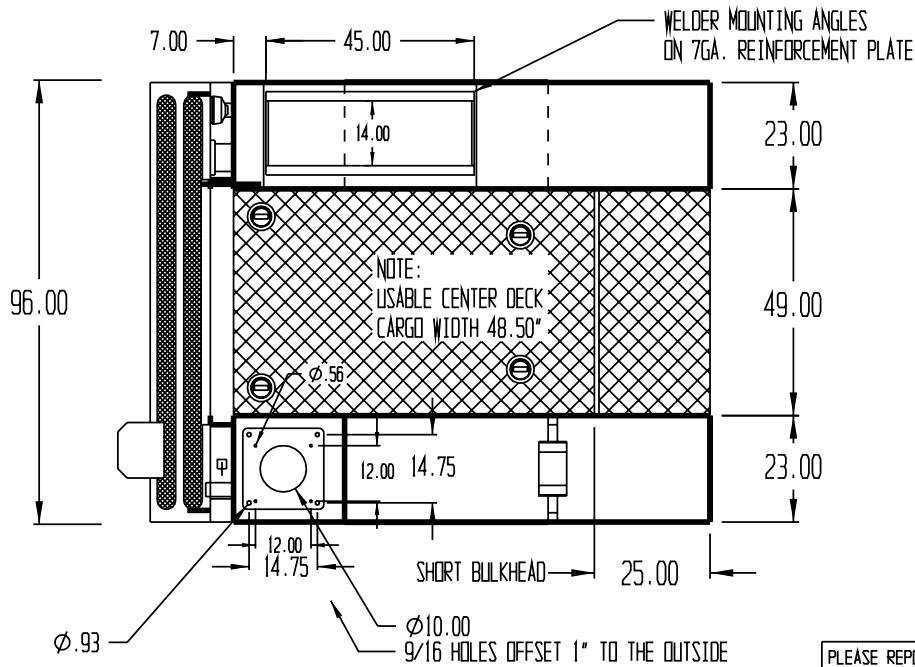
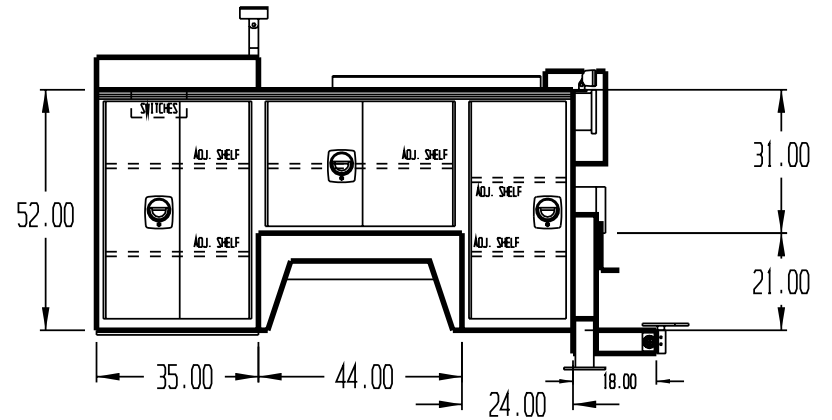
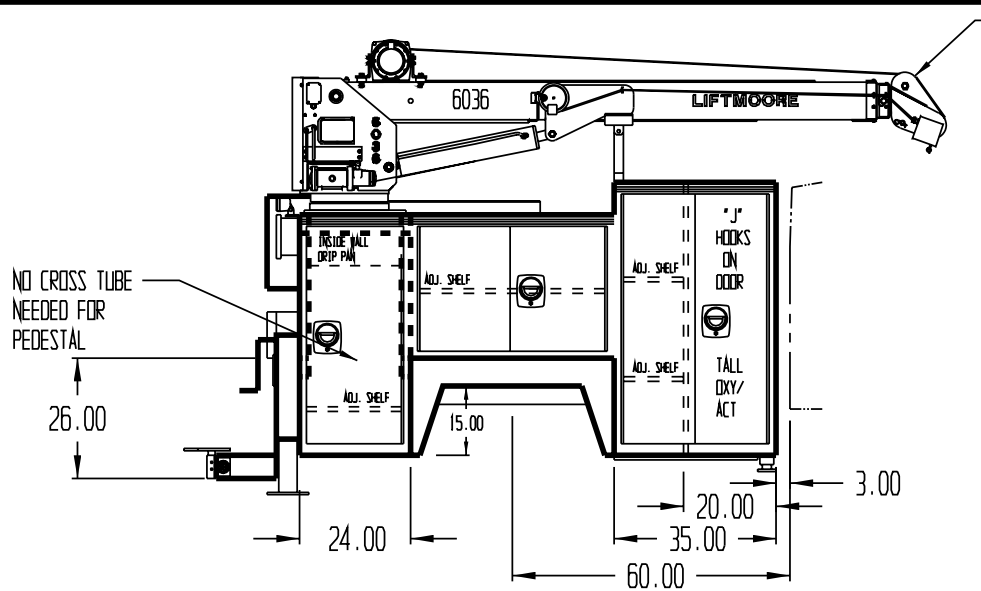


APPROVED BY: _____

DATE: _____

PAINT CODE: CX GREY METALLIC

WELDER TYPE _____



NOTE: 4" CROSSMEMBERS AND 6" MAINSILLS

PLEASE REPORT ANY ERRORS FOUND ON THIS PRINT

THIS PRINT CONTAINS CONFIDENTIAL INFORMATION AND IS THE SOLE PROPERTY OF MAINTAINER CORP. OF IOWA INC. AND IS NOT TO BE COPIED OR REPRODUCED WITHOUT THE EXPRESSED WRITTEN PERMISSION OF MAINTAINER CORP. OF IOWA INC.		PROPRIETARY DATA PROPERTY OF MAINTAINER CORPORATION OF IOWA, INC.	
UNITS DIMENSIONS ARE IN INCHES		COPYRIGHT © 2001	
GENERAL TOLERANCES		MATERIAL:	
BREAK ALL EDGES .01 X 45°	ANGULAR ± 1° .XX ± .03 .XXX ± .005	SCALE: 1:32	SIZE: B
UNITS RADI	UNITS ANGLES	DRAWING NUMBER: Z146	DFTM. KJB DATE: 2-5-08
MADE IN THE USA		1-084 HOUSTON AUTOMOTIVE GROUP	