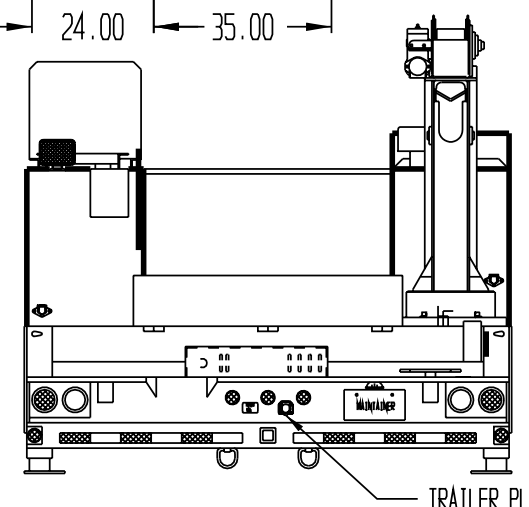
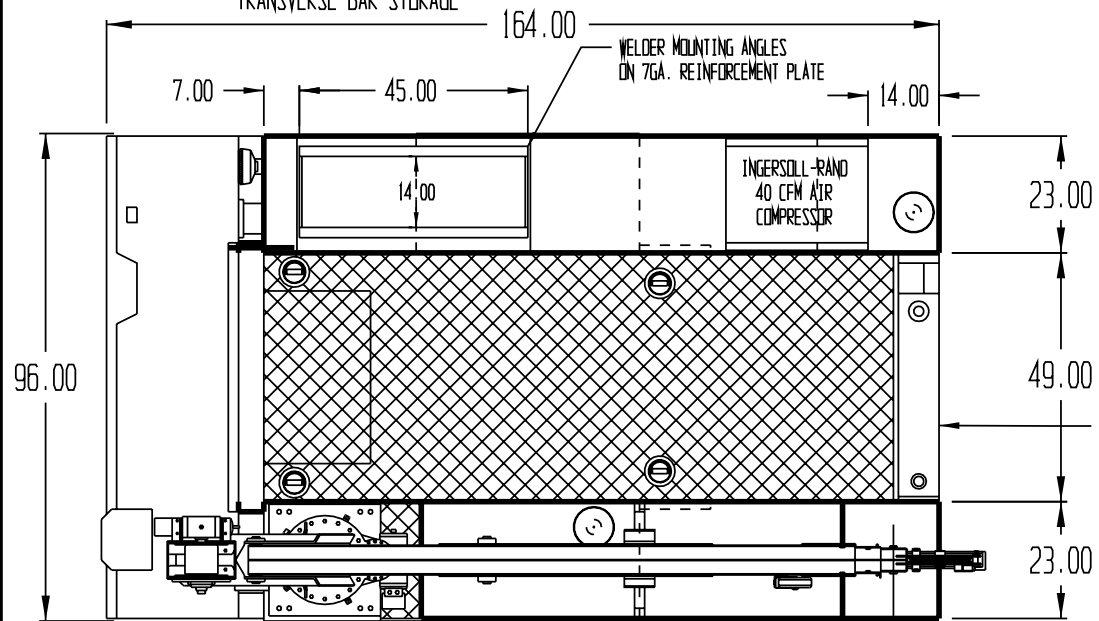
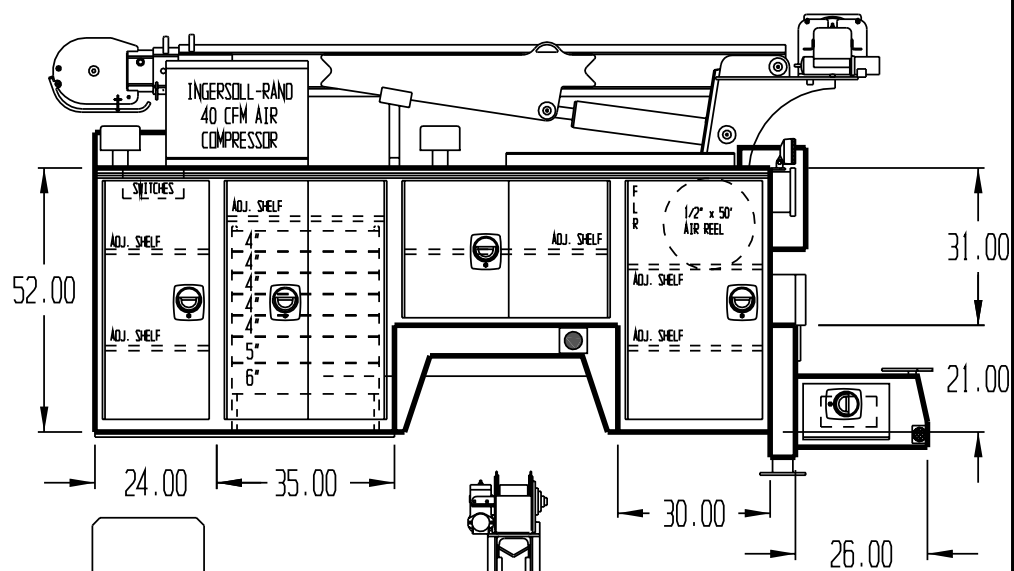
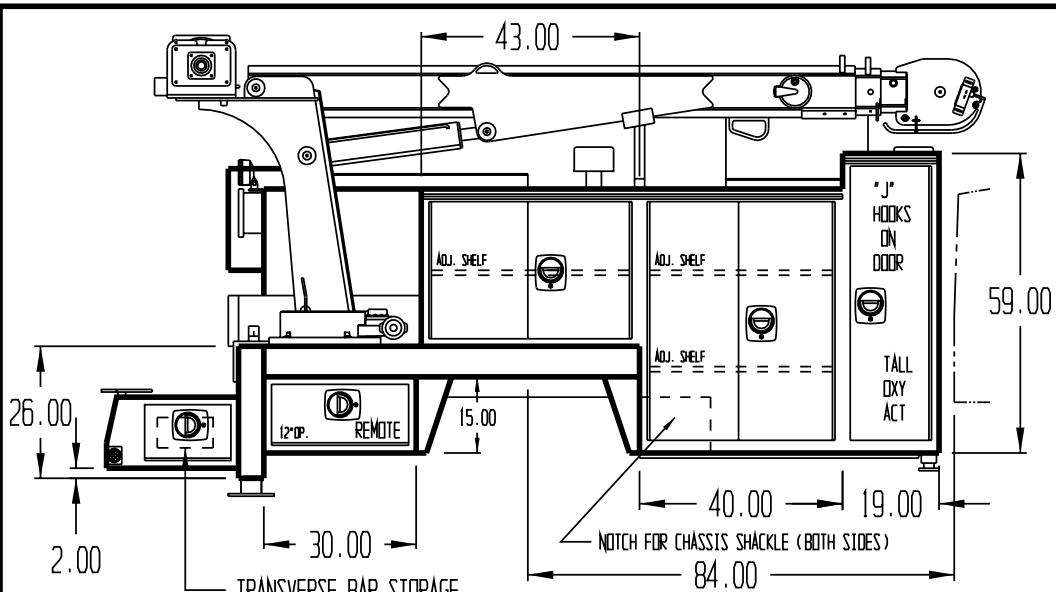


APPROVED BY \_\_\_\_\_

DATE \_\_\_\_\_

PAINT CODE \_\_\_\_\_

B9326EB RED



NOTE: (6) INTERIOR PETERSON LIGHTS #391  
SS 1, 2, 3, 4 & CS 2, 3

NOTE: PROTECTIVE SPRAY COVERING ON:  
CARGO CENTER DECK, COMPARTMENT TOPS,  
SIDES, (NOT BACKS), FRONT BULKHEAD,  
TAIL GATE, & TAIL GATE EXTENSION,  
REAR WORK BENCH BUMPER, AND STEP

NOTE: 20 GALLON AIR STORAGE  
MOUNTED IN CHASSIS FRAME

OIL RES.  
37 GALLON

NOTE:  
USABLE CENTER DECK  
CARGO WIDTH 48.50"

NOTE: 6" SILLS &  
4" X-MEMBERS

PLEASE REPORT ANY ERRORS FOUND ON THIS PRINT

THIS PRINT CONTAINS CONFIDENTIAL INFORMATION AND IS THE SOLE PROPERTY OF MAINTAINER CORP. OF IOWA INC. AND IS NOT TO BE COPIED OR REPRODUCED WITHOUT THE EXPRESSED WRITTEN PERMISSION OF MAINTAINER CORP. OF IOWA INC.		PROPRIETARY DATA PROPERTY OF MAINTAINER CORPORATION OF IOWA, INC.	
LOD DIMENSIONS ARE IN INCHES GENERAL TOLERANCES		COPYRIGHT © 2002	
BREAK ALL EDGES .01 X 45°	ANGULAR ± 1° .XX ± .03 .XXX ± .005	MATERIAL:	<b>Maintainer</b> Corporation of Iowa, Inc. P.O. Box 349 1701 S. 2nd Avenue Sheldon, Iowa 51201
LOD RADI	LOD ANGLES	SCALE: 1:26	SIZE: B
MADE IN THE USA		DRAWING NUMBER: Z113	DFTM. KJB DATE: 2-21-08
		6000TT-1-084	HOUSTON AUTOMOTIVE GROUP