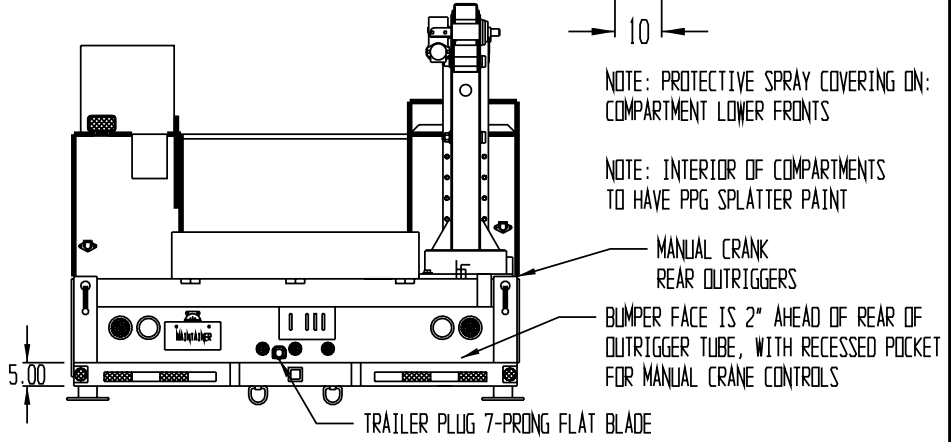
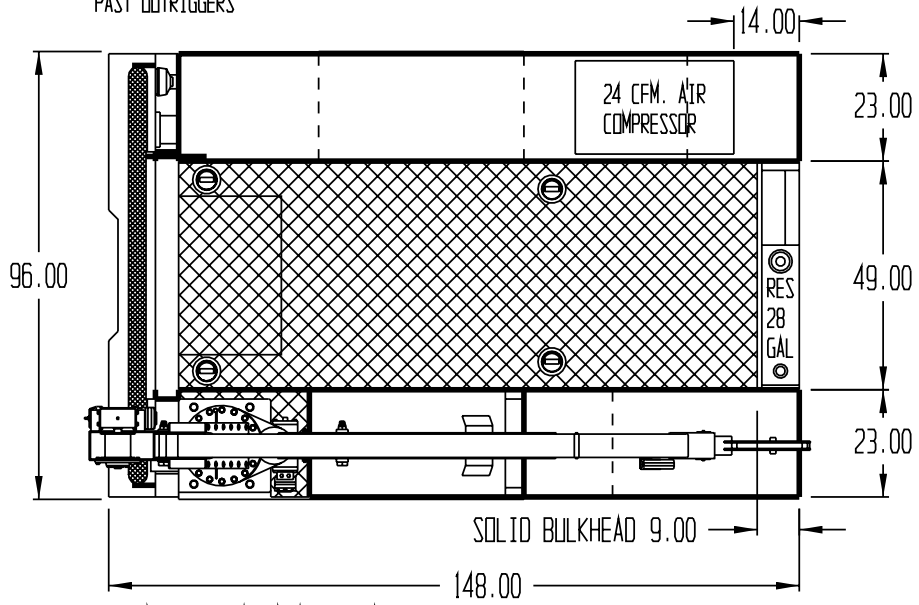
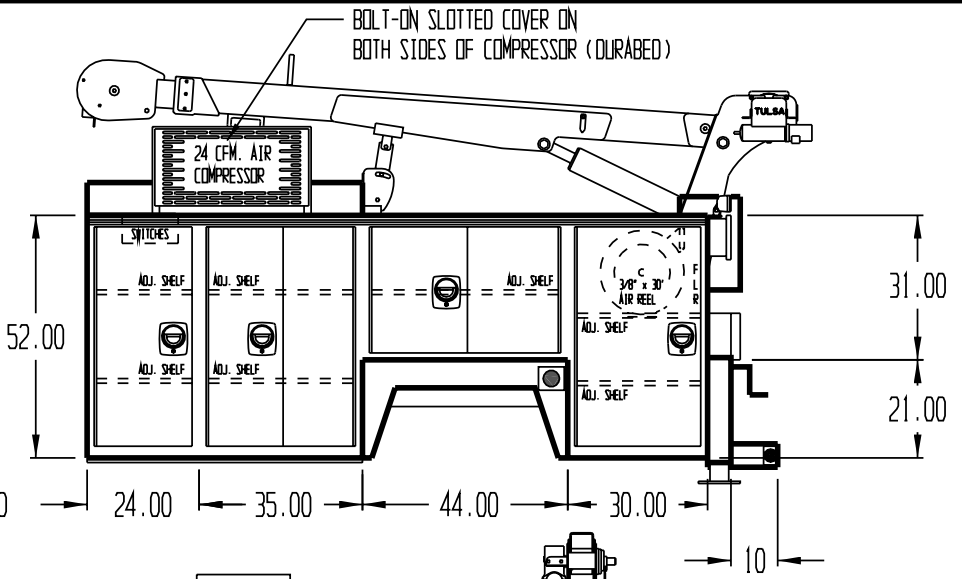
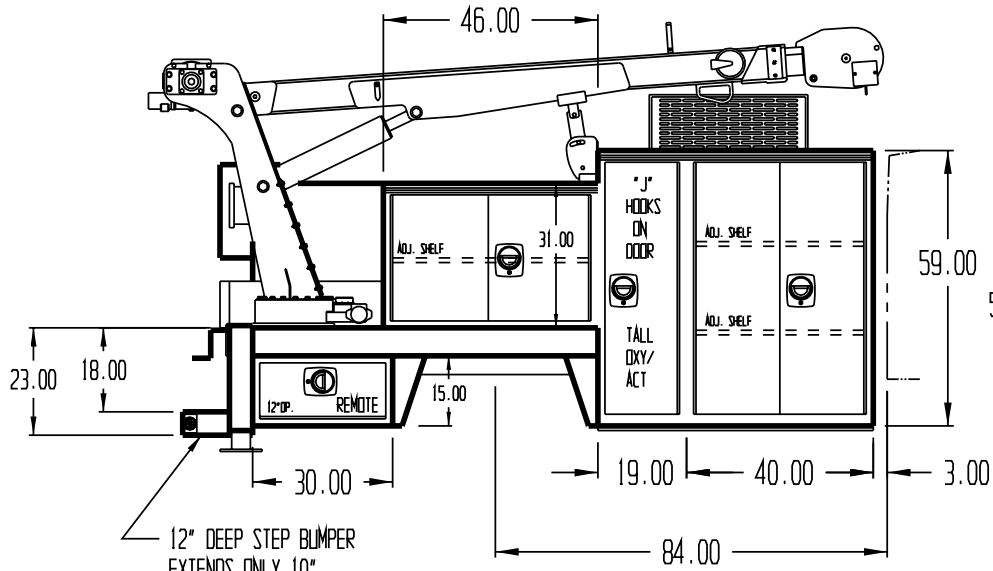


APPROVED BY: _____

DATE: _____

PAINT CODE: PW7 WHITE



NOTE: 20 GALLON AIR STORAGE MOUNTED IN CHASSIS FRAME

NOTE: USABLE CENTER DECK CARGO WIDTH 48.50"

NOTE: 10" TALL SUBFRAME WITH FORMED CROSS MEMBER ANGLES

PLEASE REPORT ANY ERRORS FOUND ON THIS PRINT

THIS PRINT CONTAINS CONFIDENTIAL INFORMATION AND IS THE SOLE PROPERTY OF MAINTAINER CORP. OF IOWA INC. AND IS NOT TO BE COPIED OR REPRODUCED WITHOUT THE EXPRESSED WRITTEN PERMISSION OF MAINTAINER CORP. OF IOWA INC.		PROPRIETARY DATA PROPERTY OF MAINTAINER CORPORATION OF IOWA, INC. COPYRIGHT © 2001	
MATERIAL:		Thaintainer Corporation of Iowa, Inc. P.O. Box 349 1701 S. 2nd Avenue Sheldon, Iowa 51201	
GENERAL TOLERANCES		SCALE: 1:32	SIZE: B
BREAK ALL EDGES .01 X 45°	ANGULAR ± 1° .XX ± .03 .XXX ± .005	DRAWING NUMBER: AC199-AC202	DFTM. STZ DATE: 8/18/11
LOS RADI	LOS ANGLES	3216TT-1-084	HOUSTON AUTOMOTIVE GROUP
MADE IN THE USA			