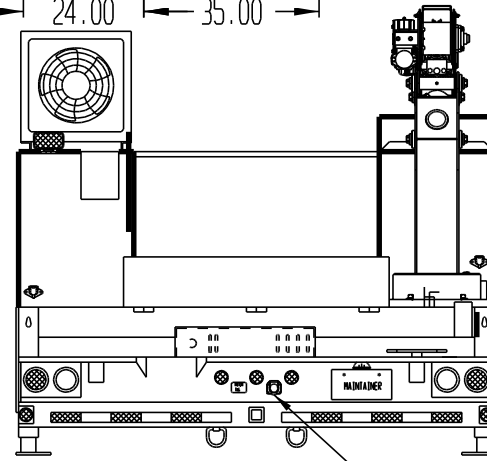
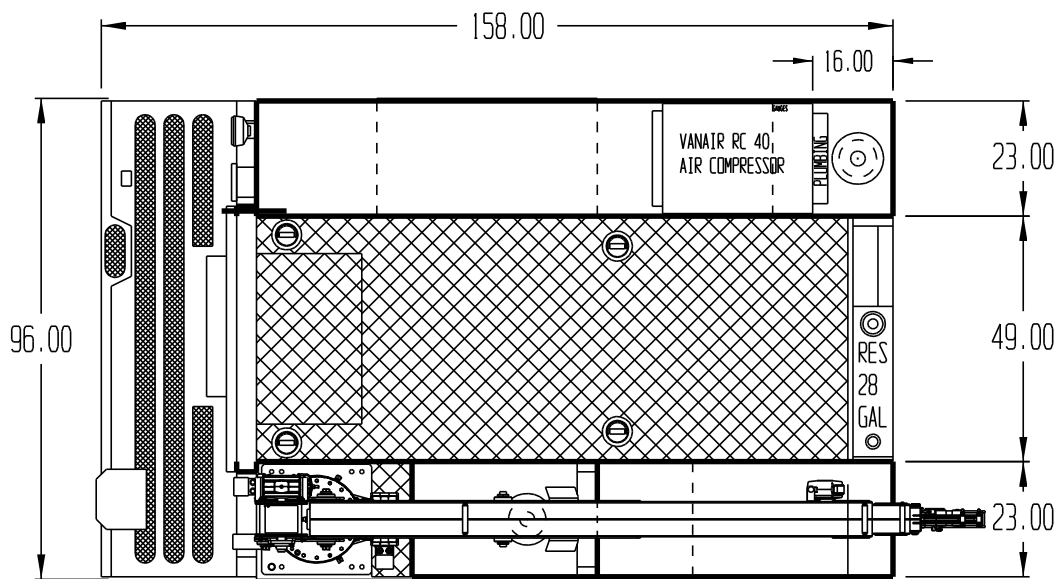
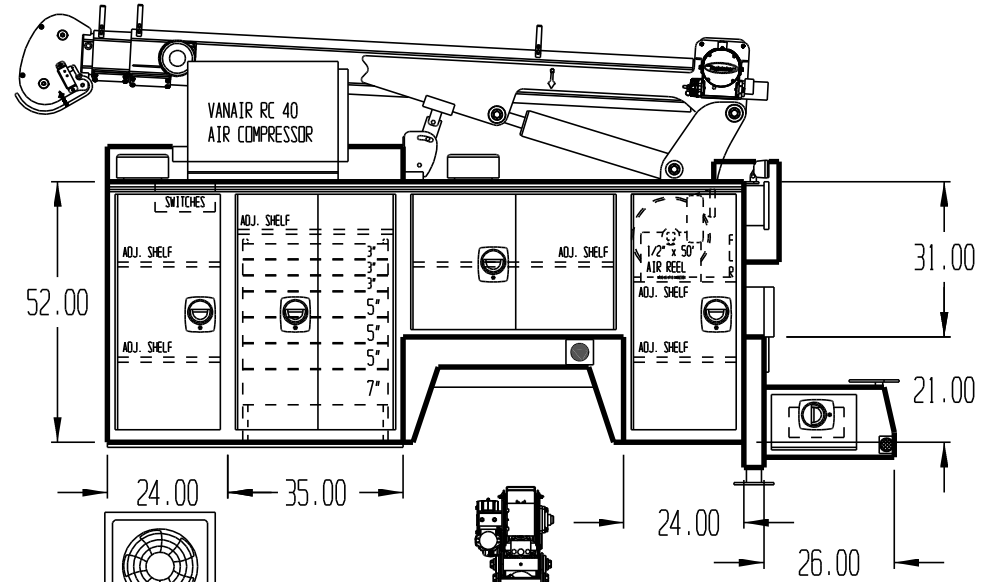
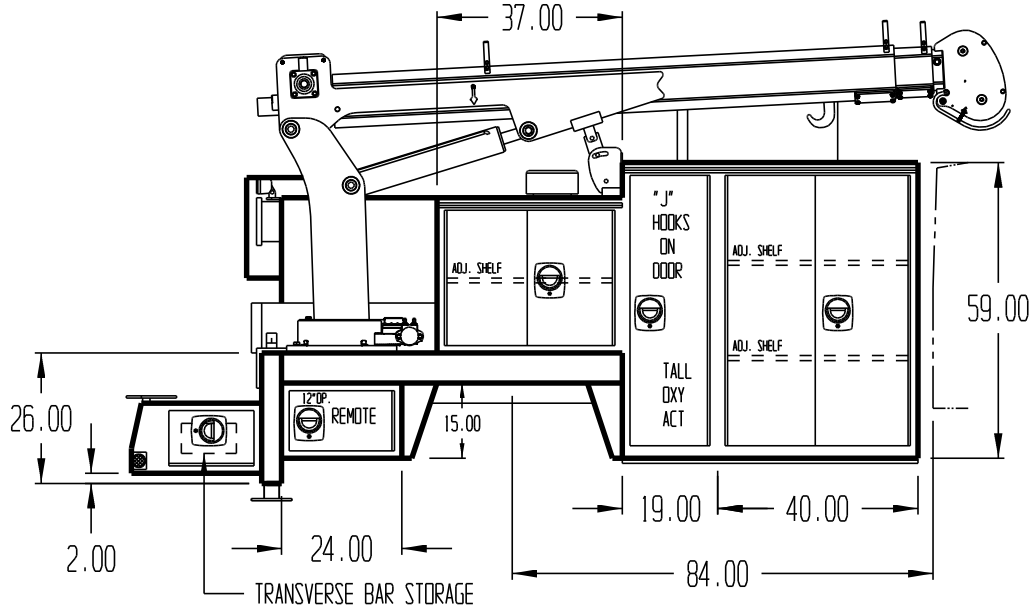


APPROVED BY _____

DATE _____

PAINT CODE _____

PW7 WHITE



NOTE: INTERIOR PETERSON #391 LIGHTS SS 1, 2, 3, 4 & CS 1, 3

NOTE: PROTECTIVE SPRAY COVERING ON: COMPARTMENT LOWER FRONTS

NOTE: PPG SPLATTER PAINT INTERIOR OF COMPARTMENTS

NOTE: 20 GALLON AIR STORAGE MOUNTED IN CHASSIS FRAME

NOTE: USABLE CENTER DECK CARGO WIDTH 48.50"

NOTE: 10" TALL SUBFRAME WITH FORMED CROSS MEMBER ANGLES

THIS PRINT CONTAINS CONFIDENTIAL INFORMATION AND IS THE SOLE PROPERTY OF MAINTAINER CORP. OF IOWA INC. AND IS NOT TO BE COPIED OR REPRODUCED WITHOUT THE EXPRESSED WRITTEN PERMISSION OF MAINTAINER CORP. OF IOWA INC.

PROPRIETARY DATA PROPERTY OF MAINTAINER CORPORATION OF IOWA, INC.

COPYRIGHT © 2002

Maintainer

Corporation of Iowa, Inc.
P.O. Box 349 1701 S. 2nd Avenue
Sheldon, Iowa 51201

UDS DIMENSIONS ARE IN INCHES
GENERAL TOLERANCES

MATERIAL:

BREAK ALL EDGES .01 X 45°

UDS RADI1 UDS ANGLES

MADE IN THE USA

SCALE: 1:26 SIZE: B

DRAWING AC195-198 & NUMBER: AC212-214

OFTM. KLJ DATE: 6-15-11

H7024TT-1-084 HOUSTON AUTO / STOCK