

STANDARD FEATURES

- Seven compartments of 14 ga. and 12 ga. galvanized steel.
- 12-gauge floorplate tops and backs.
-
- Compartment weatherproofing.
- Fold-down 8" (20.3cm) tailgate with latching hardware.
- Rear 18" workbench with thru-compartment.
- Six recessed cargo tie-downs.
- Two rear mounted grab handles.
- Galvanized seamless hemmed reinforced doors.
- Polished stainless steel T-handle latches.
- Stainless steel hinges.
- Spring loaded door stops on vertical doors.
- Body mounting kit.
- Primed and undercoated.
- Torsion box understructure.
- Integrated electrical control system with automotive style harnesses.
- Truck-Lite® related light and reflector kits with back-up alarm.
- Right hand vented oxygen/acetylene compartment.
- Molded rubber fender extensions.
- Hitch insert tube.

OPTIONAL EQUIPMENT

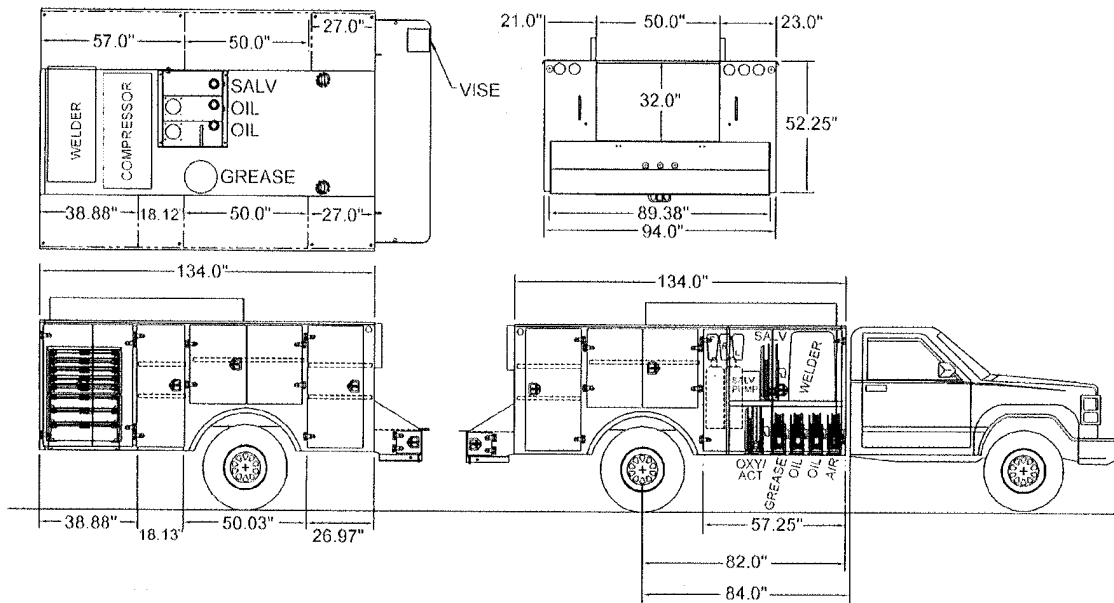
- Consult your local IMT Distributor for optional features and equipment.

REQUIRED EQUIPMENT

(if a crane is installed on the body)

- 1015 Crane: Left Rear "Up-Down" Outrigger and Right Rear "Up-Down" Outrigger.

IMT reserves the right to change specifications and design without notice.



- 1) The 3 section oil tank is a 75 gallon tank; 25 gallons per section. Usually 2 sections are oil and 1 section is salvage.
- 2) The oil reels are Reelcraft 5630 OMP reels with 30 feet 3/8 hose.
- 3) The pumps are an air operated Ingersoll Rand LM2305A-11-B (5:1 pump). Pumping capacity is 2 – 3 gallons per minute depending on oil weight and temperature.
- 4) Grease system is a 50:1 air operated 35 pound (5 gallon pail) Ingersoll Rand LP3001-1.
- 5) Grease reel is a Reelcraft 5625 OHP with 25 feet of 3/8 hose
- 6) Air compressor is an Ingersoll Rand 2475F12.5 gas driven compressor (customer supplied)
- 7) Salvage pump is an Ingesoll Rand 66605J-322 (½ inch air operated pump) appox 2 gallons per minute.
- 8) The salvage reel is a Reelcraft F7925 OLP reel with 25 feet of ¾ hose
- 9) Welder is a Miller Legend NT (customer supplied)
- 10) Fuel system is an 18 gallon tank with a 12 volt fuel transfer pump. There are no specs for this.