



# *Contractor Series Mechanics Body*

## **PARTS AND SPECIFICATIONS**

### **IOWA MOLD TOOLING CO., INC.**

BOX 189, GARNER, IA 50438-0189

TEL: 641-923-3711

MANUAL PART # 99903744



Iowa Mold Tooling Co., Inc. is an Oshkosh Truck Corporation company.

## TABLE OF CONTENTS



<b>SPECIFICATIONS .....</b>	<b>4</b>
<b>CONTRACTOR SERIES MECHANICS BODY .....</b>	<b>4</b>
<b>GENERAL SPECIFICATIONS .....</b>	<b>4</b>
<b>COMPARTMENT SPECIFICATIONS .....</b>	<b>4</b>
<b>STANDARD FEATURES .....</b>	<b>5</b>
<b>OPTIONAL EQUIPMENT .....</b>	<b>5</b>
<b>REQUIRED EQUIPMENT .....</b>	<b>5</b>
<b>COMPARTMENT DOORS .....</b>	<b>7</b>
<b>LATCH ASSEMBLY COMPONENTS .....</b>	<b>7</b>
<b>GRAB HANDLE COMPONENTS .....</b>	<b>7</b>
<b>DECAL SETS.....</b>	<b>7</b>
<b>COMPONENTS USED ON EACH DOOR .....</b>	<b>7</b>
<b>RUBBER FENDER COMPONENTS.....</b>	<b>7</b>
<b>WEATHERSTRIPPING COMPONENTS .....</b>	<b>7</b>
<b>DRAWER UNITS.....</b>	<b>8</b>
<b>DRAWER KITS .....</b>	<b>8</b>
<b>DRAWER UNITS DRAWING (REFERENCE ONLY) .....</b>	<b>9</b>
<b>DRAWER KITS DRAWING (REFERENCE ONLY).....</b>	<b>10</b>
<b>MASTER LOCK SYSTEM (51713945) .....</b>	<b>11</b>
<b>TAILGATE KIT (51711241) .....</b>	<b>12</b>
<b>STEP BUMPER W/ THRU-COMPARTMENT (51711506) .....</b>	<b>12</b>
<b>TAILGATE/WORKBENCH KIT (51711406) .....</b>	<b>13</b>
<b>MOISTURE SEPARATOR/REGULATOR/OILER ASM-1/2" HOSE (51714805) .....</b>	<b>14</b>
<b>ROTATING BEACON LIGHT-AMBER W/MOUNTING KIT (77040013) .....</b>	<b>15</b>
<b>WIRING SCHEMATIC (99903261-1) .....</b>	<b>16</b>
<b>WIRING SCHEMATIC CONNECTORS (99903261-2) .....</b>	<b>17</b>
<b>SYSTEMS SCHEMATIC - AIR / LUBE SYSTEM (99903268) .....</b>	<b>18</b>
<b>HARNESS ROUTING (99903269) .....</b>	<b>19</b>
<b>BOOM SUPPORT ASM-ADJUSTABLE FROM 19"-31" (51708161).....</b>	<b>20</b>
<b>OUTRIGGER ASSEMBLY, JACKLEG, RIGHT REAR (52717000) .....</b>	<b>21</b>
<b>OUTRIGGER ASSEMBLY, JACKLEG, LEFT REAR (52717001) .....</b>	<b>21</b>
<b>I.C.C. SAFETY KIT (92091010) .....</b>	<b>22</b>
<b>INDIVIDUAL FIRE EXTINGUISHERS .....</b>	<b>22</b>
<b>CARGO TIE-DOWN RING (72661303).....</b>	<b>22</b>
<b>CARGO TIE-DOWN RING (SIDE MOUNTED/RECESSED) (52709830) .....</b>	<b>22</b>
<b>OUTLET KIT-110V (51707760).....</b>	<b>22</b>
<b>STEP ASSEMBLY (51714095) .....</b>	<b>22</b>
<b>SPARE PARTS LIST.....</b>	<b>23</b>

**TORQUE DATA CHART**

**FINE THREAD BOLTS**

SIZE (DIA-TPI)	BOLT DIA (INCHES)	TIGHTENING TORQUE			
		 SAE J429 GRADE 5		 SAE J429 GRADE 8	
		PLAIN (FT-LB)	PLATED (FT-LB)	PLAIN (FT-LB)	PLATED (FT-LB)
5/16-24	0.3125	19	14	27	20
3/8-24	0.3750	35	26	49	35
7/16-20	0.4375	55	41	78	58
1/2-20	0.5000	90	64	120	90
9/16-18	0.5625	120	90	170	130
5/8-18	0.6250	170	130	240	180
3/4-16	0.7500	300	225	420	315
7/8-11	0.8750	445	325	670	500
1-12	1.0000	645	485	995	745
1 1/8-12	1.1250	890	670	1445	1085
1 1/4-12	1.2500	1240	930	2010	1510
1-3/8-12	1.3750	1675	1255	2710	2035
1 1/2-12	1.5000	2195	1645	3560	2670

**COARSE THREAD BOLTS**

SIZE (DIA-TPI)	BOLT DIA (INCHES)	TIGHTENING TORQUE			
		 SAE J429 GRADE 5		 SAE J429 GRADE 8	
		PLAIN (FT-LB)	PLATED (FT-LB)	PLAIN (FT-LB)	PLATED (FT-LB)
5/16-18	0.3125	17	13	25	18
3/8-16	0.3750	31	23	44	33
7/16-14	0.4375	49	37	70	52
1/2-13	0.5000	75	57	105	80
9/16-12	0.5625	110	82	155	115
5/8-11	0.6250	150	115	220	160
3/4-10	0.7500	265	200	375	280
7/8-9	0.8750	395	295	605	455
1-8	1.0000	590	445	910	680
1 1/8-7	1.1250	795	595	1290	965
1 1/4-7	1.2500	1120	840	1815	1360
1-3/8-6	1.3750	1470	1100	2380	1780
1 1/2-6	1.5000	1950	1460	3160	2370

When using the torque data in the charts above, the following rules should be observed.

1. Bolt manufacturer's particular specifications should be consulted when provided.
2. Flat washers of equal strength must be used.
3. All torque measurements are given in foot-pounds. To convert to inch-pounds, multiply by 12.
4. Torque values specified are for bolts with residual oils or no special lubricants applied. If special lubricants of high stress ability, such as Never-Seez compound graphite and oil, molybdenum disulphite, colloidal copper or white lead are applied, multiply the torque values in the charts by the factor .90. The use of Loctite does not affect the torque values listed above.

**WARNING**

Anytime a gear-bearing bolt is removed, it must be replaced with a new bolt of the identical grade and size. Once a bolt has been torqued to 75% of its proof load and then removed, the torque coefficient may no longer be the same as when the bolt was new thus giving indeterminate clamp loads after torquing. Failure to replace gear-bearing bolts may result in bolt failure due to metal fatigue causing serious injury or DEATH.

# SPECIFICATIONS CONTRACTOR SERIES MECHANICS BODY

## GENERAL SPECIFICATIONS

CRANES FOR WHICH BODY IS DESIGNED	IMT Model 1015
CHASSIS CAB-TO-AXLE (CA)	84" Single Axle (213.4cm)
LONGSILLS	10" x 12 ga. Plate (full length) Torsion Box
CROSSMEMBERS	3" x 10" x 3/16" Structural Tubing 10" x 12 ga. Channel
FLOORPLATE THICKNESS	1/8" 4-way Floorplate
TOTAL COMPARTMENT STORAGE CAPACITY	150.82 cubic feet (4.27 cubic meters)
TOTAL BODY WEIGHT	2900 LB (1315 kg)
TOTAL CARGO DECK SURFACE AREA	46.50 Square Feet (4.32 square meters)

## COMPARTMENT SPECIFICATIONS

LEFT FRONT COMPARTMENT	52"H X 38-1/2"W X 21"D - 24.33 cubic feet (132.1 X 97.8 X 53.3 cm) - (0.69 cubic meters)
LEFT VERTICAL COMPARTMENT	52"H X 18"W X 21"D - 11.38 cubic feet (132.1 x 45.7 x 53.3 cm) - (0.32 cubic meters)
LEFT HORIZONTAL COMPARTMENT	32"H X 49"W X 21"D - 19.05 cubic feet (81.3 x 124.5 x 53.3 cm) - (0.54 cubic meters)
LEFT REAR COMPARTMENT	52"H X 27"W X 21"D - 17.06 cubic feet (132.1 x 68.6 x 53.3 cm) - (0.48 cubic meters)
RIGHT FRONT COMPARTMENT	52"H X 57"W X 23"D - 39.45 cubic feet (132.1 x 144.8 x 58.4 cm) - (1.11 cubic meters)
RIGHT HORIZONTAL COMPARTMENT	32"H X 49"W X 23"D - 20.87 cubic feet (81.3 x 124.5 x 58.4 cm) - (0.59 cubic meters)
RIGHT REAR CRANE MOUNTING COMPARTMENT	52"H X 27"W X 23"D - 18.69 cubic feet (132.1 x 68.6 x 58.4 cm) - (0.53 cubic meters)
REAR WORKBENCH W/THRU-COMPARTMENT	9.5"H X 77"W X 12"D - 5.10 cubic feet (24.1 x 195.6 x 30.9 cm) - (0.15 cubic meters)

Note: Dimensions of compartments are nominal.

## STANDARD FEATURES

- Seven compartments of 14 ga. and 12 ga. galvanized steel.
- 12-gauge floorplate tops and backs.
- Rear curbside compartment reinforced for 1015 crane mounting.
- Compartment weatherproofing.
- Fold-down 8" (20.3cm) tailgate with latching hardware.
- Rear 18" workbench with thru-compartment.
- Six recessed cargo tie-downs.
- Two rear mounted grab handles.
- Galvanized seamless hemmed reinforced doors.
- Polished stainless steel T-handle latches.
- Stainless steel hinges.
- Spring loaded door stops on vertical doors.
- Body mounting kit.
- Primed and undercoated.
- Torsion box understructure.
- Integrated electrical control system with automotive style harnesses.
- Truck-Lite® related light and reflector kits with back-up alarm.
- Right hand vented oxygen/acetylene compartment.
- Molded rubber fender extensions.
- Hitch insert tube.

## OPTIONAL EQUIPMENT

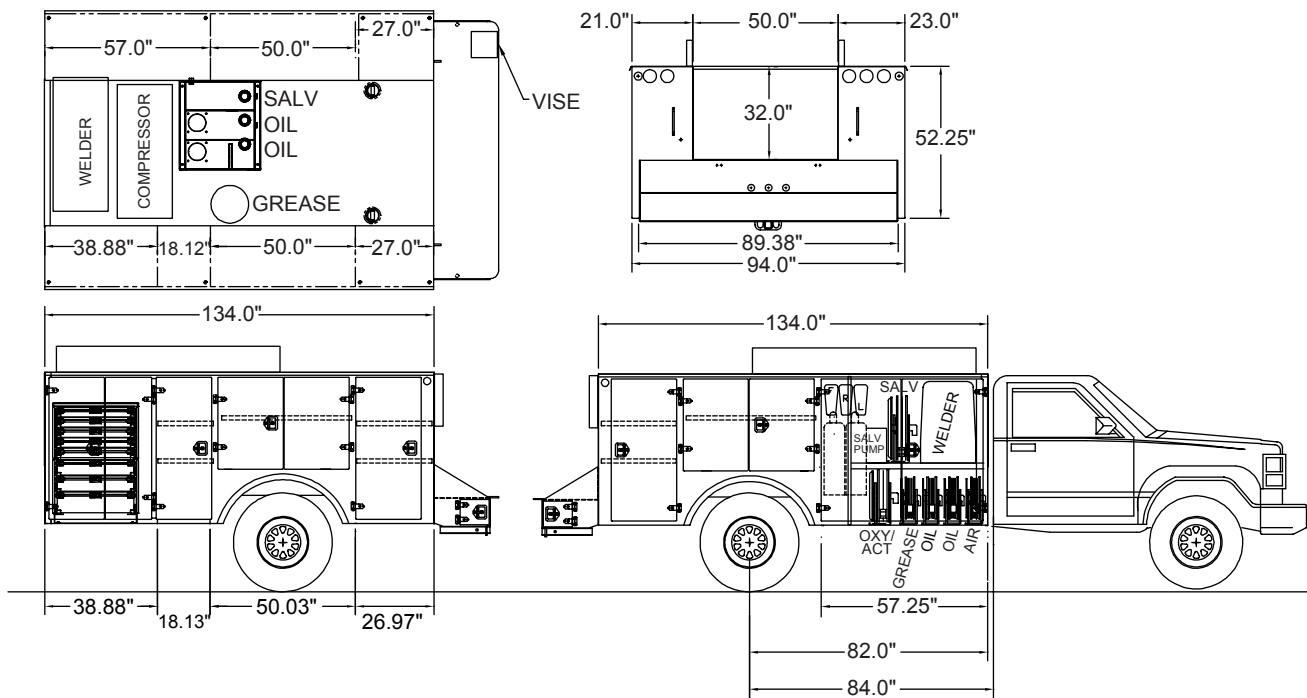
- Consult your local IMT Distributor for optional features and equipment.

## REQUIRED EQUIPMENT

(if a crane is installed on the body)

- 1015 Crane: Left Rear "Up-Down" Outrigger and Right Rear "Up-Down" Outrigger.

**IMT reserves the right to change specifications and design without notice.**



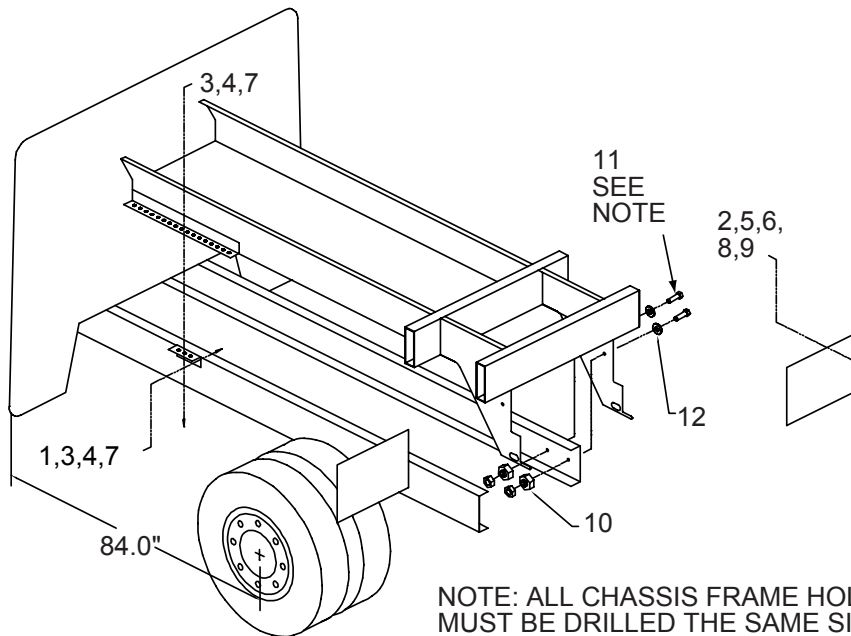
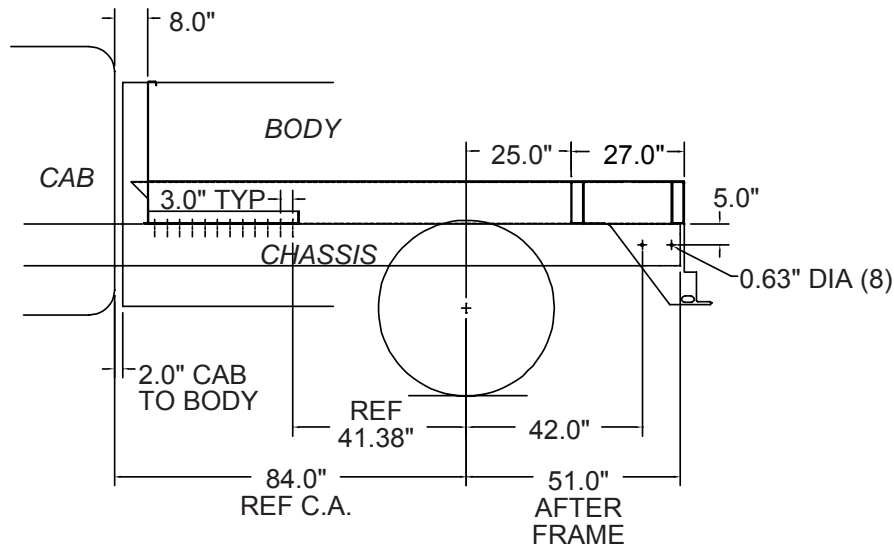
**INSTALLATION KIT (93710462)**

1.	60115068	MOUNTING ANGLE	2
2.	72060025	CAP SCR 5/16-18X1 HHGR5	6
3.	72060150	CAP SCR 5/8-11X1-3/4 HHGR5	8
4.	72062091	NUT 5/8-11 LOCK	8
5.	72062109	NUT 5/16-18 LOCK	6
6.	72063002	WASHER 5/16 WRT	6
7.	72063007	WASHER 5/8 WRT	16
8.	72063078	WASHER 5/16 ID X 1-5/8 OD	6
9.	76393799	MUD FLAP W/LOGO	2
10.	72062270	NUT 5/8-11 DRAKE LOCK GR8	4
11.	72060151	CAP SCR 5/8-11X2 HHGR8	4
12.	72063119	WASHER 5/8 FLAT	8

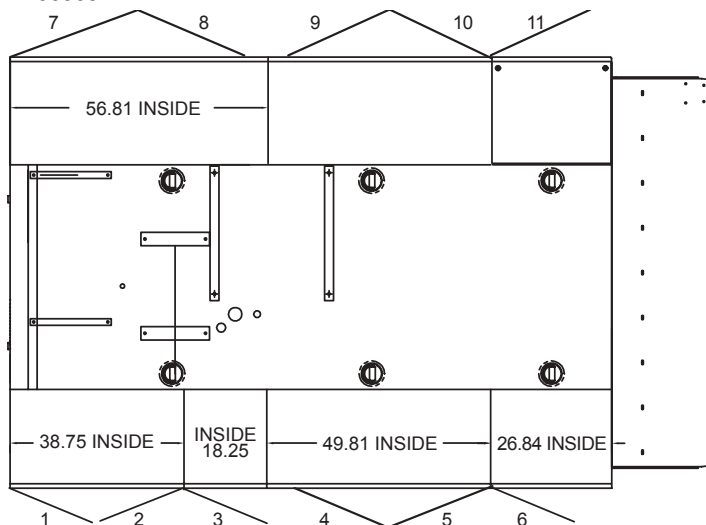
**NOTE**

TORQUE ITEM 11 TO 160 FT-LBS. WHEN USING A TORQUE WRENCH ON DRAKE LOCK NUTS, ALWAYS HOLD THE BOLT AND APPLY TORQUE TO THE NUT.

IN THE REAR, USE GRADE #8 FASTENERS WITH DRAKE LOCK NUTS.



NOTE: ALL CHASSIS FRAME HOLES MUST BE DRILLED THE SAME SIZE AS THE BOLTS USED.



### COMPARTMENT DOORS

ITEM	COMPARTMENT DOOR	SIZE (INCHES)	PART NO.
1.	LEFT FRONT W/LATCH	19.00W X 48.88H	52711319
2.	LEFT FRONT W/O LATCH	16.00W X 48.88H	52711318
3.	LEFT VERTICAL #2	19.00W X 48.88H	52711319
4.	LEFT HORIZONTAL W/LATCH	31.50W X 22.50H	52713398
5.	LEFT HORIZONTAL W/O LATCH	31.50W X 22.50H	52713399
6.	LEFT REAR	19.00W X 48.88H	52711319
7.	RIGHT FRONT W/LATCH	27.88W X 48.88H	52715221
8.	RIGHT FRONT W/O LATCH	27.81W X 48.88H	52716554
9.	RIGHT HORIZONTAL W/LATCH	31.50W X 22.50H	52713398
10.	RIGHT HORIZONTAL W/O LATCH	31.50W X 22.50H	52713399
11.	RIGHT REAR	19.00W X 48.88H	52711319

### LATCH ASSEMBLY COMPONENTS

LATCH-2PT W/STUDS	72661466
LATCH GASKET	76393253
NUT #10-24 LOCK-SS	72062123
ROD-DOOR 19.75"	60112517
ROD-DOOR 10.75"	60116985
ROD-DOOR 27.62"	60111530
REPLACEMENT LOCK & KEY	72066373
PIN & WASHER KIT	94732135
<i>94732135 PARTS</i>	
WASHER 5/16 RUBBER	REF
WASHER 5/16 FLAT	REF
COTTER PIN - LATCH	REF
LATCH-1PT W/STUDS (THRU COMPT)	72661470

### GRAB HANDLE COMPONENTS

GRAB HANDLE	72661467
CAP SCR 5/16-18X1 PHHD SS	72601590
WASHER 5/16 WRT SS	72063152
NUT 5/16-18 LOCK SS	72062167

### DECAL SETS

OUTSIDE MOUNTED	71394099
DOOR MOUNTED-SHEET 1	71394101
DOOR MOUNTED-SHEET 2	71394100

### COMPONENTS USED ON EACH DOOR

HINGE-STAINLESS STEEL	2	72661383
MACH SCR 1/4-20X3/4 TORX-SS	8	72601652
NUT 1/4-20 LOCK-SS	8	72062194
WASHER 1/4 SS	8	72063166
WELD NUT 1/4-20	2	72062264

### RUBBER FENDER COMPONENTS

RUBBER FENDER	2	89395454
RIVET 1/4X1/2 AL LARGE HEAD	38	72661384

### WEATHERSTRIPPING COMPONENTS

WEATHERSTRIP W/ADHESIVE BACKING 5/8X1/2	89395456
WEATHERSTRIP W/ADHESIVE (DBL DOOR) 3/4X3/8	89393638
WEATHERSTRIP ADHESIVE - TUBE	70067005

NOTE: WEATHERSTRIP ADHESIVE BACKING MUST BE APPLIED SO THAT THE DOOR COMPRESSES RATHER THAN SHEARS THE ADHESIVE STRIP.

**DRAWER UNITS**

PART NO.	OVERALL			DRWR QTY (HT)		
	W	H	D	3"	5"	7"
70733229	13	23	17.38		2	1
70733228	13	15	17.38	3		
70733227	13	21	17.38	3	1	
70733226	13	22	17.38		3	
70733216	13	22	17.38	5		
70733239	26	23	29.62		2	1
70733238	26	15	29.62	3		
70733237	26	21	29.62	3	1	
70733236	26	22	29.62		3	
70733235	26	22	29.62	5		
70733234	39	23	42.62		2	1
70733233	39	21	42.62	3	1	
70733232	39	22	42.62		3	
70733231	39	22	42.62	5		

**COMMON COMPONENTS**

- 72661457 LATCH-DRAWER PULL
- 70731440 DRAWER SLIDE
- 72601329 CAP SCR 5/16-18X3/4 BTNHD
- 72060023 CAP SCR 5/16-18X3/4 HHGR5
- CAP SCR #10-24X1/2 C'SNK
- PHILLIPS HD
- NUT 5/16-18 SERRATED

**DRAWER KITS**

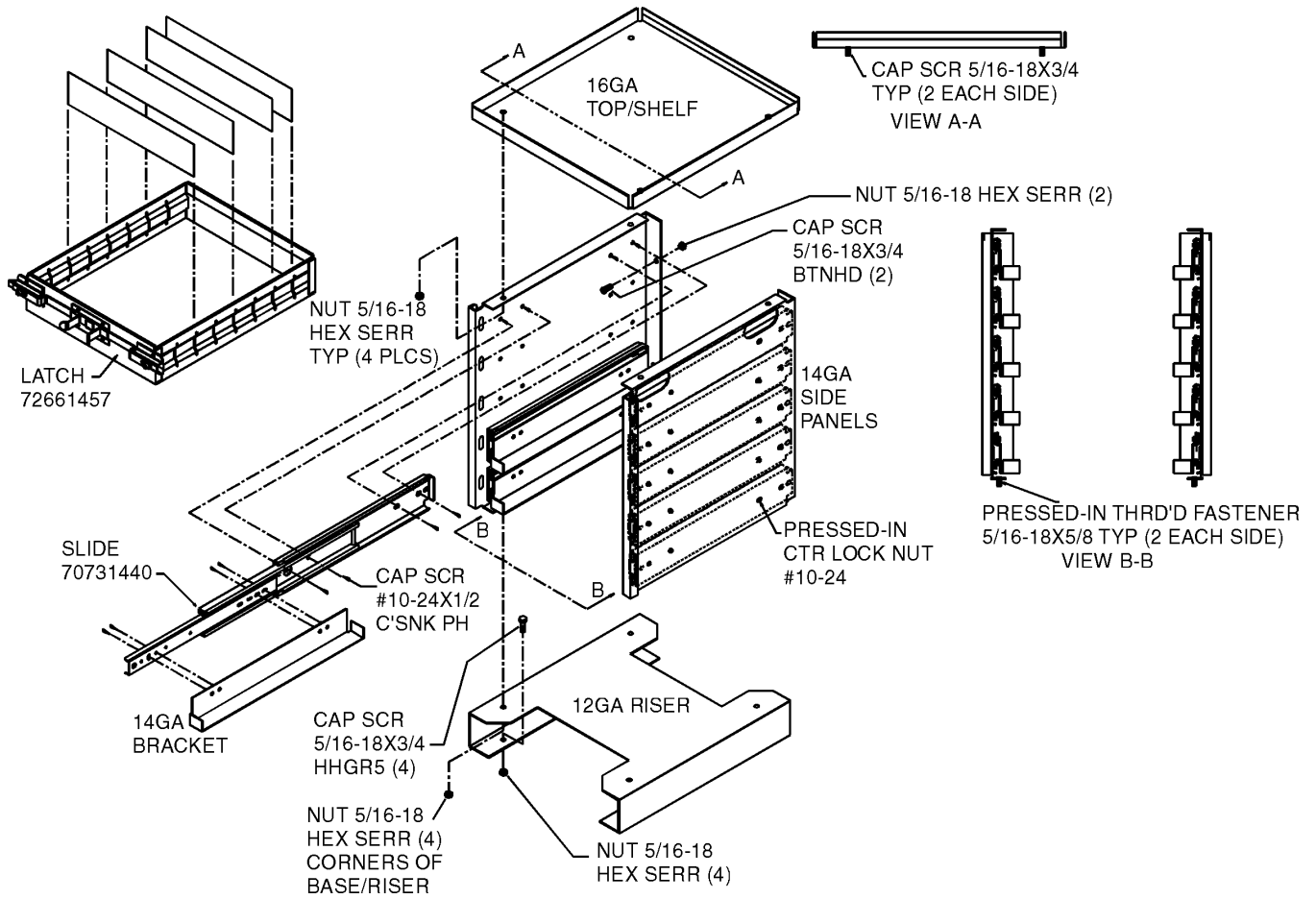
PART NO.	NOMINAL		DRWR QTY (HT)						UNIT PART NO. (see above)	
			LOWER			TOP			LOWER	TOP
	W	H	3"	5"	7"	3"	5"	7"		
70733266	26	33		2	1	3			70733238	70733239
70733268	26	40		2	1		3		70733236	70733239
70733276	26	32	3	1		3			70733237	70733238
70733280	26	38		3		3	1		70733236	70733237
70733267	26	39	3	1		5			70733237	70733235
70733278	26	32		3		3			70733236	70733238
70733270	26	39		3		5			70733236	70733235
70733343	13	40		2	1	3	1		70733229	70733227
70733272	13	34		2	1	3			70733228	70733229
70733273	13	40		2	1	3			70733226	70733229
70733275	13	32	3	1		3			70733227	70733228
70733279	13	38		3		3	1		70733226	70733227
70733274	13	39	3	1		5			70733227	70733216
70733277	13	32		3		3			70733226	70733228
70733269	13	39		3		5			70733226	70733216

**COMMON COMPONENTS**

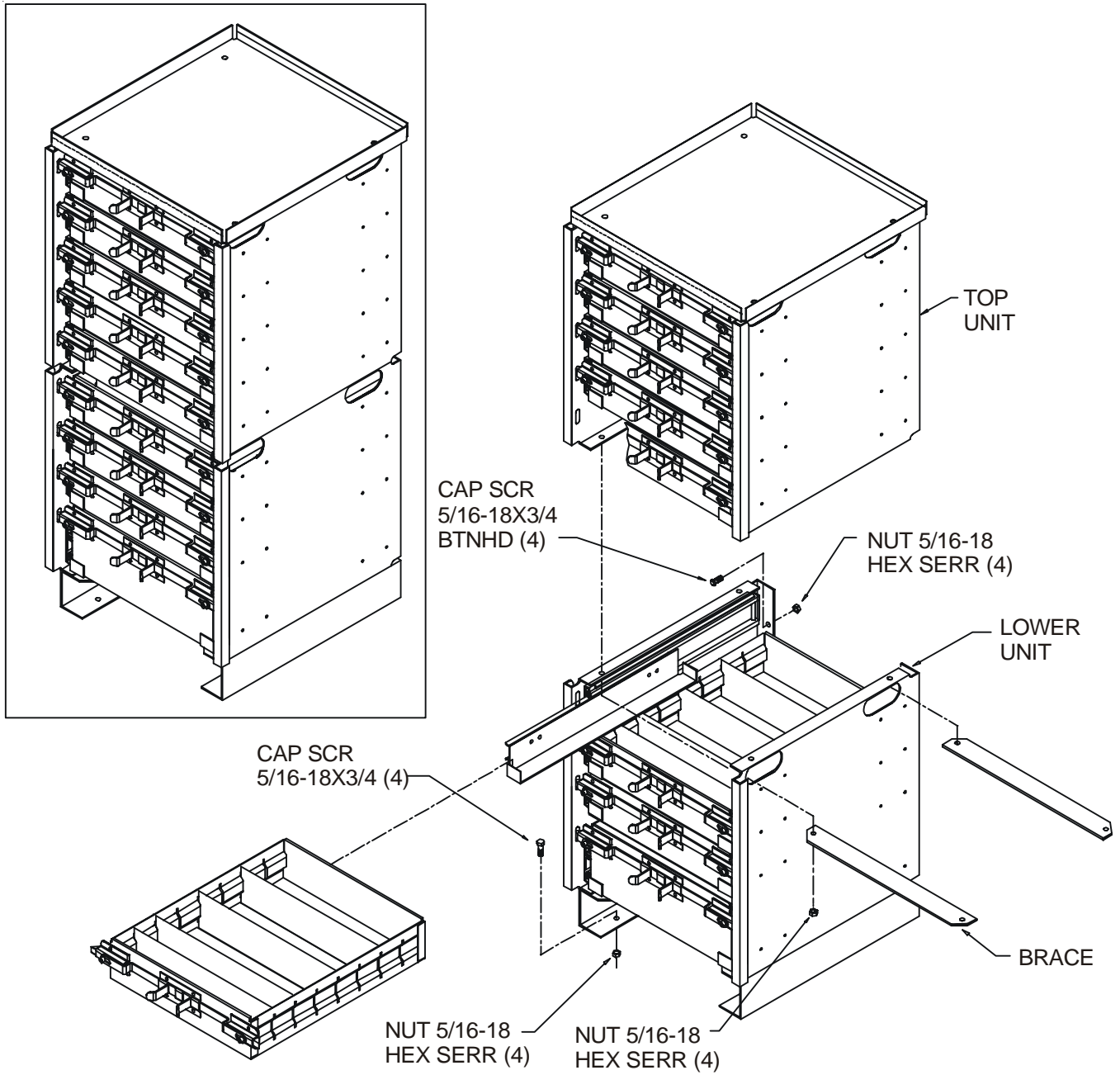
- 60120909 BRACE-13"
- 60120910 BRACE-26"
- 72601329 CAP SCR 5/16-18X3/4 BTNHD
- 72060023 CAP SCR 5/16-18X3/4 HHGR5
- NUT 5/16-18 SERRATED



### DRAWER UNITS DRAWING (REFERENCE ONLY)

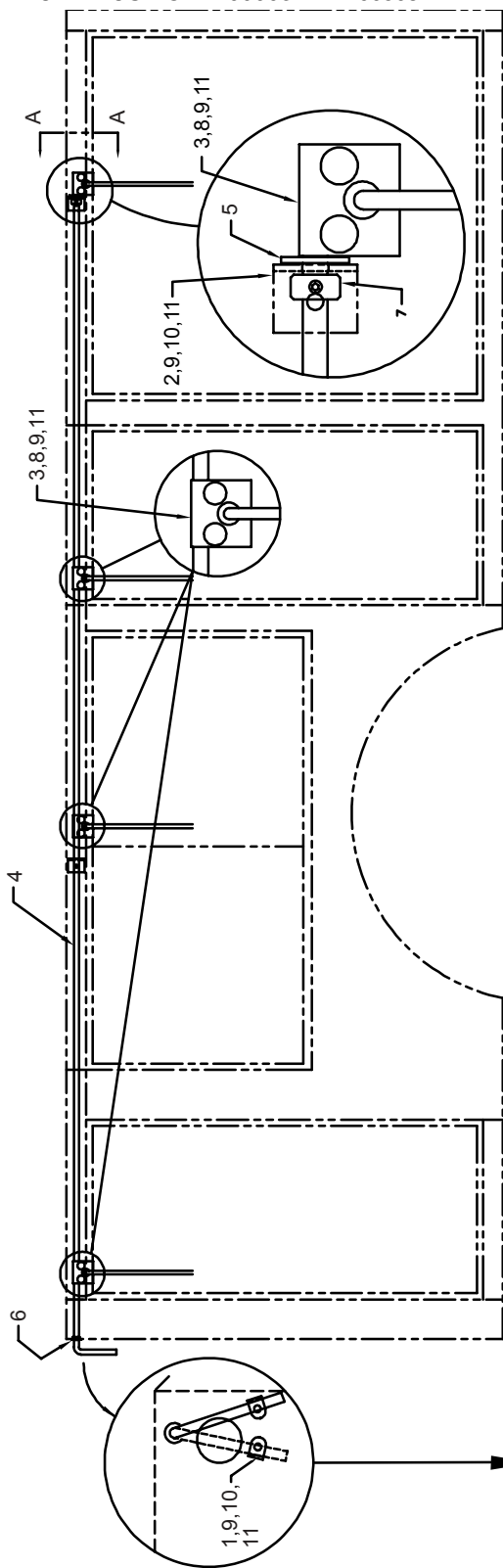


**DRAWER KITS DRAWING (REFERENCE ONLY)**

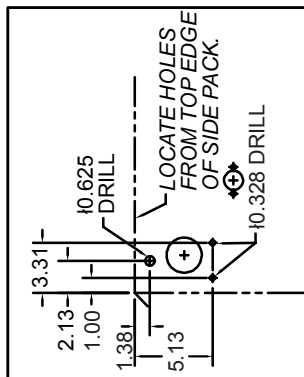
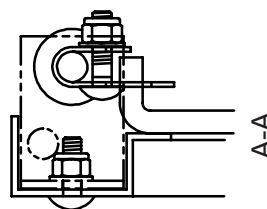


**MASTER LOCK SYSTEM (51713945)**

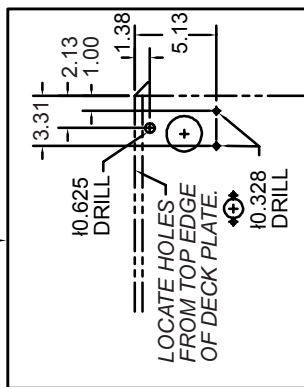
- |     |          |                              |    |
|-----|----------|------------------------------|----|
| 1.  | 60117213 | BRACKET-PADLOCK              | 4  |
| 2.  | 60117214 | BRACKET-ROD HANGER           | 4  |
| 3.  | 60117216 | BRACKET-ROD STOP             | 8  |
| 4.  | 60117217 | ROD 120X6                    | 2  |
| 5.  | 72063004 | WASHER 7/16 WRT              | 2  |
| 6.  | 70034277 | GROMMET                      | 2  |
| 7.  | 70143654 | COLLAR                       | 2  |
| 8.  | 72601435 | CARR BOLT 5/16-18X1-1/4 SQNK | 16 |
| 9.  | 72062109 | NUT 5/16-18 LOCK             | 24 |
| 10. | 72601590 | CAP SCR 5/16-18X1 TRH PHH SS | 8  |
| 11. | 72063001 | WASHER 1/4 WRT               | 24 |



RIGHT HAND SIDE PACK SHOWN



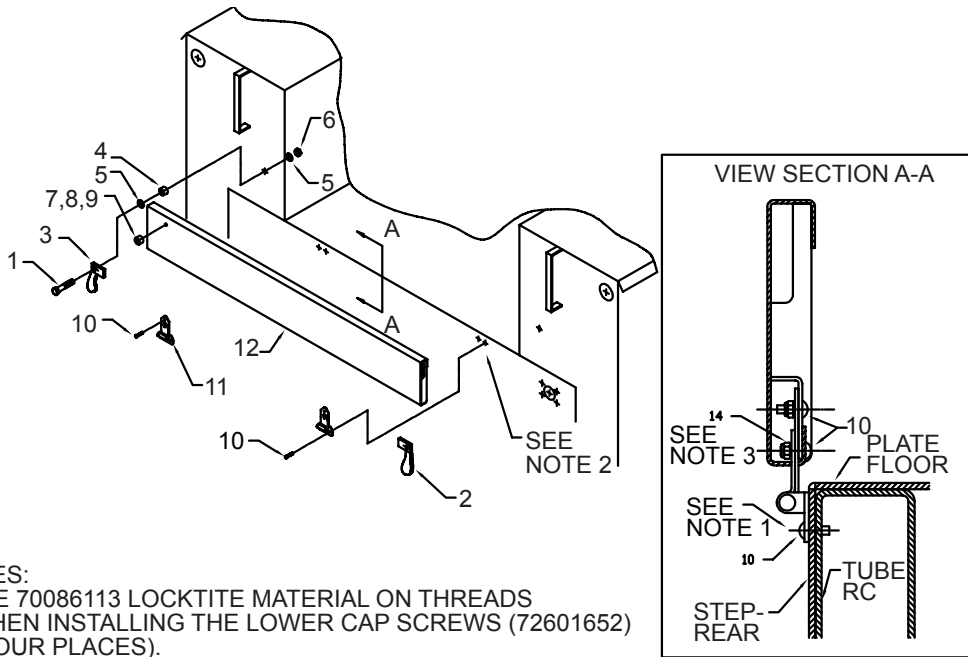
REAR CORNER  
 WITHOUT CRANE BOX



REAR CORNER  
 WITH CRANE BOX

**TAILGATE KIT (51711241)**

1.	72060096	CAP SCR 1/2-13X2-1/2 HHGR5	2
2.	72066369	LATCH-RH	1
3.	72066368	LATCH-LH	1
4.	60030243	SPACER	2
5.	72063005	WASHER 1/2 WRT	4
6.	72062080	NUT 1/2-13 LOCK	2
7.	76039990	BUMPER-RUBBER	1
8.	72060636	MACH SCR #10-24X3/4 RDHD	1
9.	72062106	NUT #10-24 LOCK	1
10.	72601652	CAP SCR 1/4-20X3/4 TRHTORXSS	8
11.	72661383	HINGE	2
12.	52711219	TAILGATE	1
14.	72062194	NUT 1/4-20 LOCK SS	4

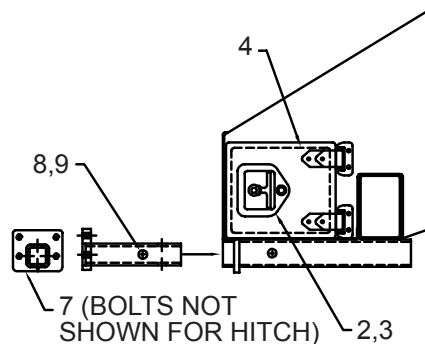


NOTES:

1. USE 70086113 LOCKTITE MATERIAL ON THREADS WHEN INSTALLING THE LOWER CAP SCREWS (72601652) (FOUR PLACES).
2. AT ASSEMBLY, DRILL 4  $\phi$ 0.203 HOLES. LOCATE BY USING EXISTING HOLES IN DECK PLATE STEP.
3. THREADS WILL NOT EXTEND THROUGH NUT ON THIS FASTENER.

**STEP BUMPER W/ THRU-COMPARTMENT (51711506)**

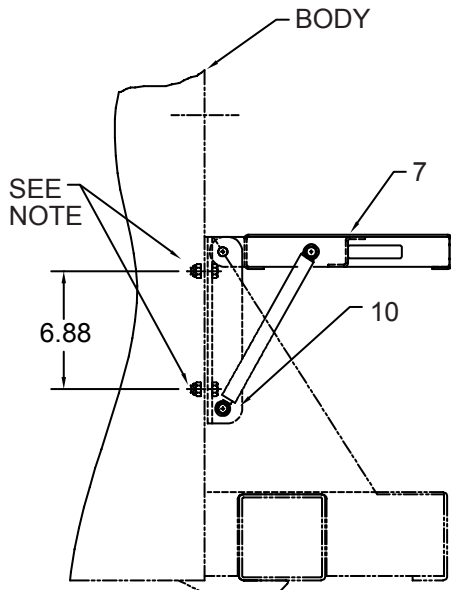
1.	52712995	STEP BUMPER W/COMPT	1
2.	72661512	LATCH ASSEMBLY, 3PT	2
3.	76393253	LATCH GASKET	2
4.	89393607	WEATHERSTRIP W/ADHESIVE	6FT
5.	70034366	PLUG, PLASTIC BUTTON (NOT SHOWN)	2
7.	52711220	MOUNT, PINTLE HITCH	1
8.	72066143	HAIR PIN 1/8	1
9.	52704895	PIN	1



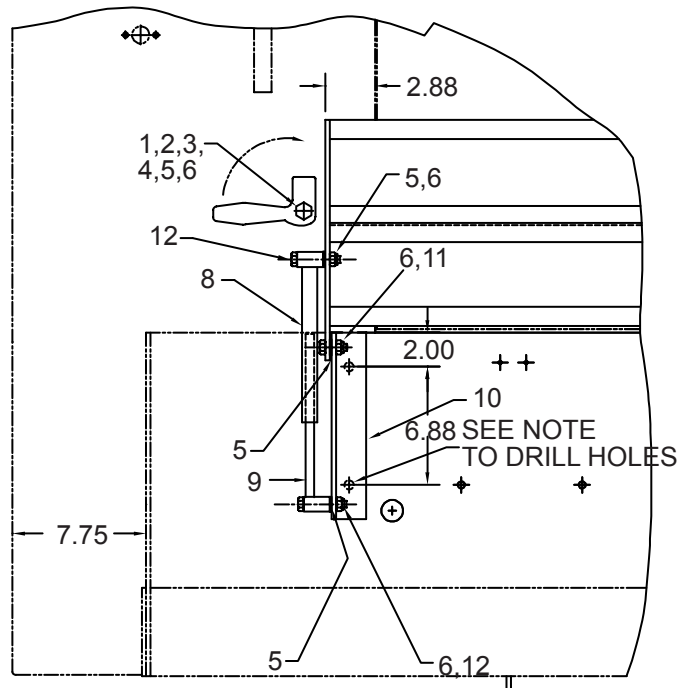
\* PINTLE HITCH IS NOT INCLUDED.

**TAILGATE/WORKBENCH KIT (51711406)**

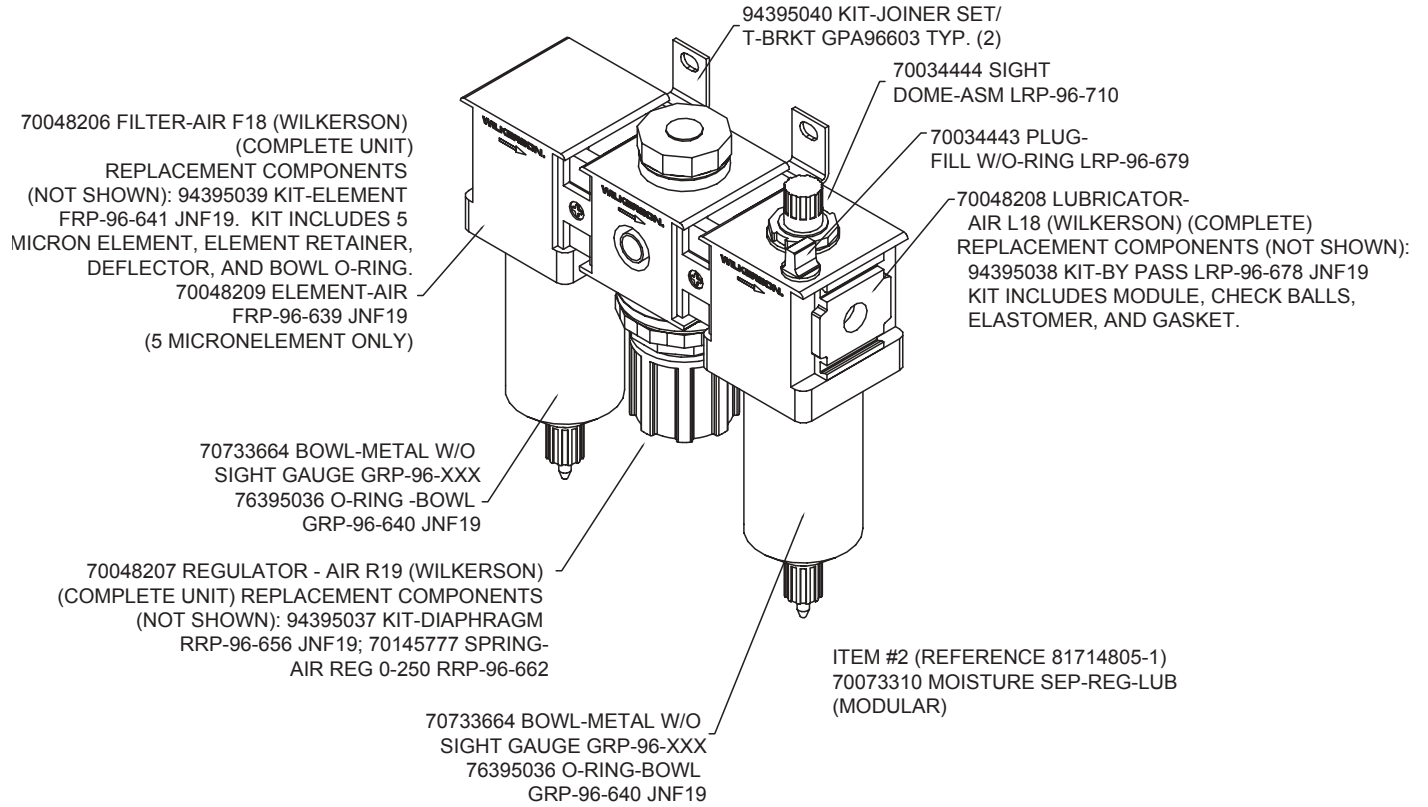
1.	72060096	CAP SCR 1/2-13X2-1/2 HHGR5	2
2.	72066369	LATCH-RH	1
3.	72066368	LATCH-LH	1
4.	60030243	SPACER	2
5.	72063005	WASHER 1/2 WRT	14
6.	72062080	NUT 1/2-13 LOCK	12
7.	52711403	TAILGATE/WORKBENCH	1
8.	52714419	SUPPORT TUBE	2
9.	52714418	SUPPORT ROD	2
10.	60120876	MOUNTING ANGLE	2
11.	72060093	CAP SCR 1/2-13X1-1/2 HHGR5	6
12.	72060986	CAP SCR 1/2-13X2-3/4 HHGR5	4
13.	72060098	CAP SCR 1/2-13X3.5 HHGR5	2
14.	60030171	SPACER	2



NOTE: AT ASSEMBLY, DRILL  
 4  $\varnothing$ 0.531" HOLES BY USING  
 EXISTING HOLES.  
 (REFER TO 60116927 FOR  
 MOUNTING ANGLE INFO.)



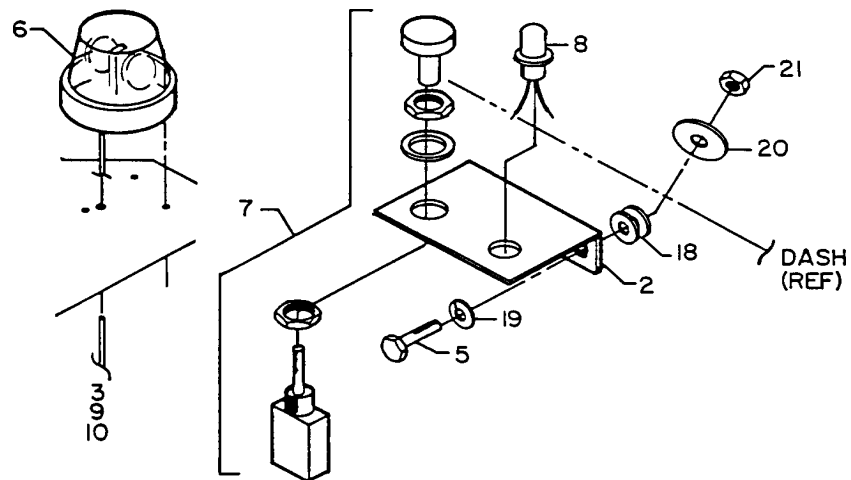
**MOISTURE SEPARATOR/REGULATOR/OILER ASM-1/2" HOSE (51714805)**

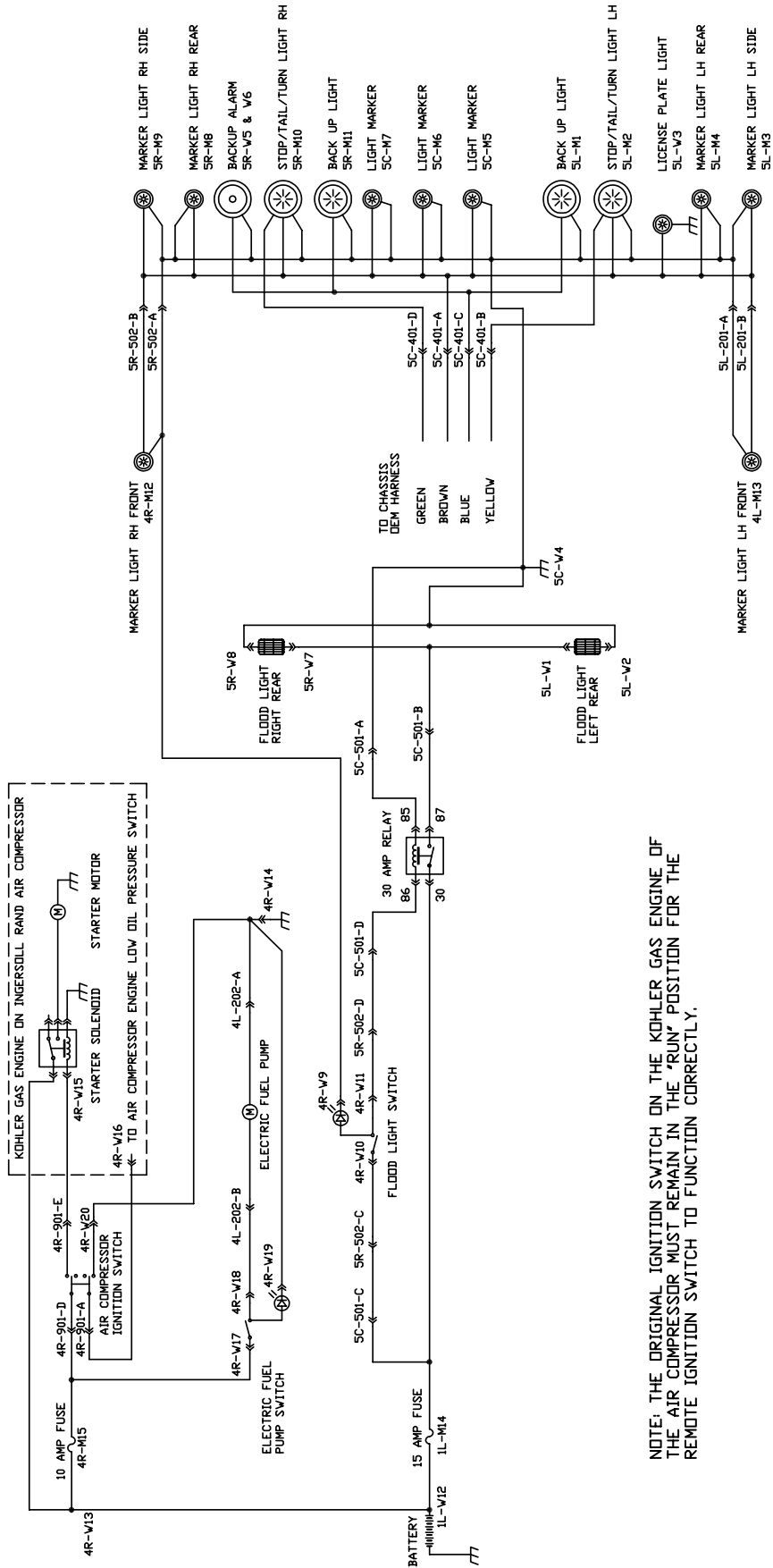


**ROTATING BEACON LIGHT-AMBER W/  
MOUNTING KIT (77040013)**

NOTE: SEE INSTALLATION INSTRUCTIONS WHICH ACCOMPANY THE BEACON LIGHT. USE AN EXISTING SWITCH BRACKET OR THE INDIVIDUAL PARTS LISTED BELOW FOR SWITCH MOUNTING.

2.	60103464	DASH BRACKET	1
3.	70034083	NYLON CLAMP - 7/16"	3
4.	70391251	DECAL-BEACON LIGHT	1
5.	72060004	CAP SCR 1/4-20X1 HHGR5	2
7.	77041014	PUSH/PULL SWITCH W/FUSE	1
8.	77042001	RED INDICATOR LIGHT	1
9.	89044001	WIRE 14 GA (SPECIFY LENGTH)	
10.	89044073	CONDUIT 1/2" FLEX (SPECIFY LENGTH)	
18.	72063001	WASHER 1/4 WRT	4
19.	72063049	WASHER 1/4 LOCK	2
20.	72063078	WASHER 5/16X1 5/8 O.D.	2
21.	72062000	NUT 1/4-20 HEX	2





























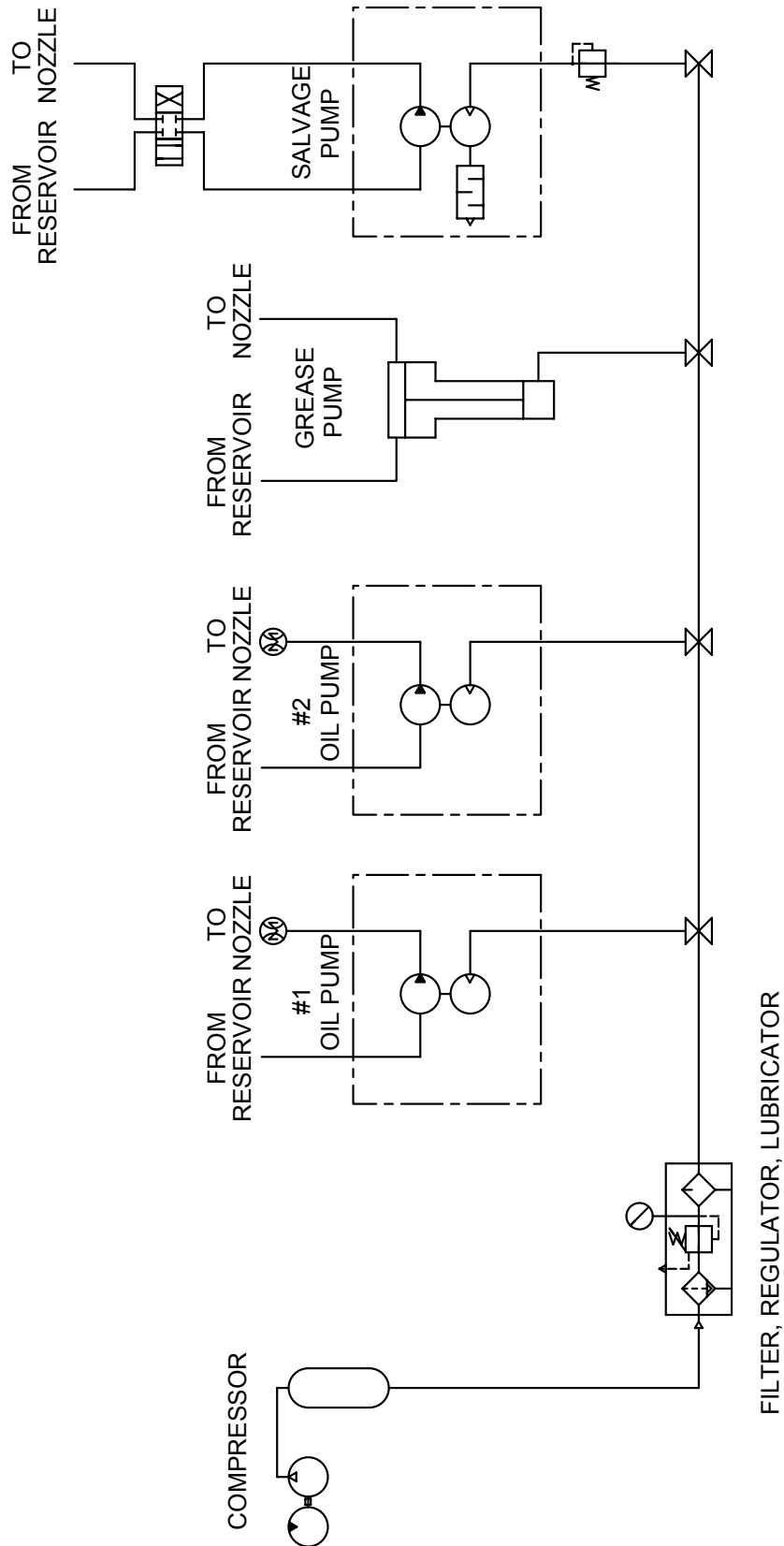
NOTE: THE ORIGINAL IGNITION SWITCH ON THE KOHLER GAS ENGINE OF THE AIR COMPRESSOR MUST REMAIN IN THE 'RUN' POSITION FOR THE REMOTE IGNITION SWITCH TO FUNCTION CORRECTLY.



**WIRING SCHEMATIC CONNECTORS**  
**(99903261-2)**

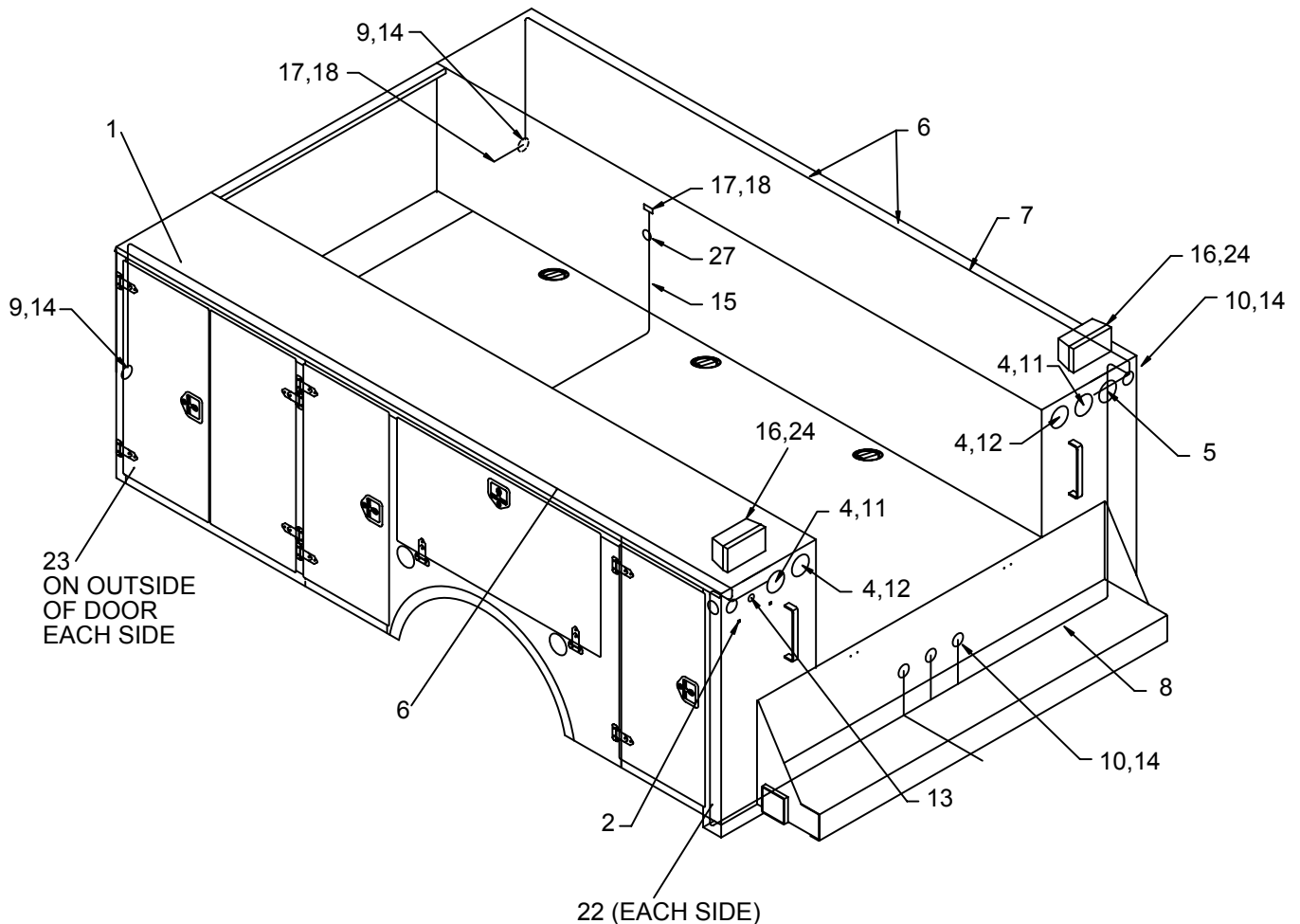
5L-W1, 5R-W7		FLOOD	5L-W2, 5R-W6, 5R-W8		GROUND	5L-W3		TAIL LIGHT	5R-W5		BACK UP
4R-W9		GROUND	4R-W10		SWITCH PWR	4R-W11		SWITCH OUT	4R-W13		12V POWER
4R-W14		GROUND	4R-W15		SOLENOID	4R-W16		ENGINE KILL	4R-W18		FUEL PUMP
4R-W19		GROUND	4R-W20		GROUND	5L-201		A-GROUND B-MRKR LIGHT	5L-M3, 5L-M4, 5C-M5, 5C-M6, 5C-M7 5R-M8, 5R-M9, 4R-M12, 4L-M13		A-GROUND B-MRKR LIGHT
5L-M1, 5R-M11		1-GROUND 2-BACK UP	5L-M2		1-GROUND 2-LT TURN 3-TAIL LIGHT	5R-M10		1-GROUND 2-RT TURN 3-TAIL LIGHT	5C-501		A-TAIL LIGHT B-LT TURN C-BACKUP D-RT TURN
5R-502		A-GROUND B-MRKR LIGHT C-SWICH PWR D-SWICH OUT	1L-801		30-12V POWER 85-GROUND 86-SWICH OUT 87-FLOOD	4R-901		A-ENGINE KILL B-NOT USED C-NOT USED D-12V POWER E-SOLENOID	5C-401		A-TAIL LIGHT B-LT TURN C-BACKUP D-RT TURN

**SYSTEMS SCHEMATIC - AIR / LUBE SYSTEM (99903268)**



**HARNESS ROUTING (99903269)**

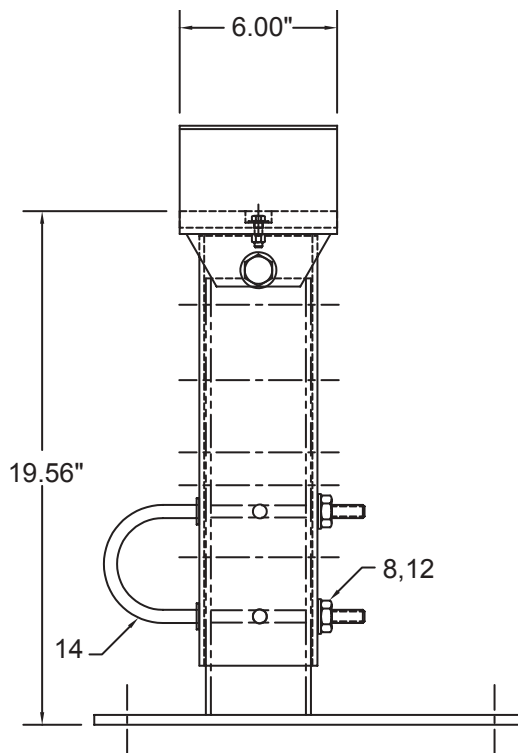
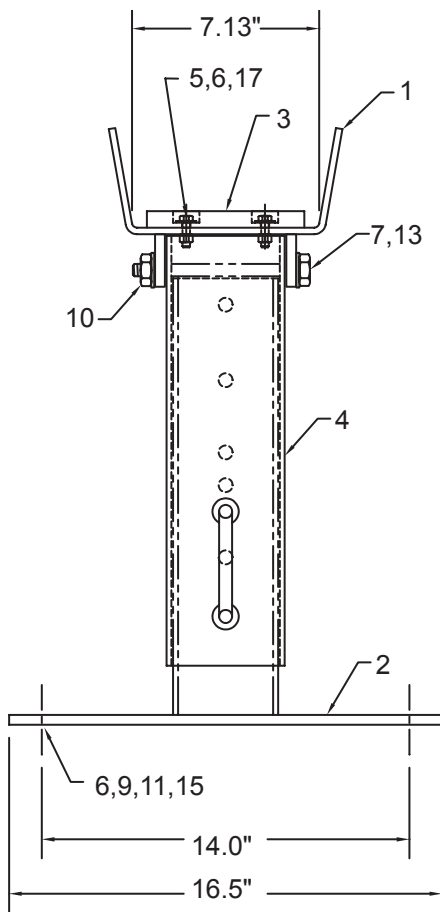
1.	77044974	HARNESS-MARKER FRONT	1
2.	51715985	KIT-LICENSE PLATE HARDWARE	1
3.	77044975	HARNESS-POWER (NOT SHOWN)	1
4.	76392275	GROMMET-TAIL LIGHT	4
5.	51714251	ALARM KIT-BACK UP MECHANICS	1
6.	70145799	RETAINER-ELEC HARNESS	24
7.	77044976	HARNESS-FLD SWTCH MRK	1
8.	77044981	HARNESS-REAR W/TRAILER	1
9.	77040358	LIGHT-CLEAR AMBER	2
10.	77040357	LIGHT-CLEAR RED	7
11.	77040188	LAMP-STOP/TURN/TAIL 4.00"	2
12.	77040180	LIGHT-BACKUP	2
13.	77040006	LIGHT-LICENSE PLATE	1
14.	76393636	GROMMET-RUBBER 2.00"	9
15.	77044982	HARNESS-CMPR REMOTE	1
16.	77040193	FLOODLIGHT-12V DRIVING HAL	2
17.	77041500	SWITCH-ROCKER BODY	2
18.	77041499	SWITCH-ROCKER RED ACT	2
19.	77044623	CONN-PKRD F 4-WAY (NOT SHN)	1
20.	77044550	TERM-FEM 18-20GA (NOT SHN)	4
21.	70394069	SEAL-CABLE CONN (NOT SHOWN)	6
22.	70039057	REFLECTOR-RED	4
23.	70039058	REFLECTOR-AMBER	2
24.	77044467	TERM-BULLET RECP	5
25.	77044552	TERM-MALE 18-20GA (NOT SHN)	2
26.	77044573	CONN-PKRD M 2-WAY (NOT SHN)	1
27.	77041618	SWITCH-IGNITION IR AIR CMPR	1
28.	77041593	FUSEHOLDER (NOT SHOWN)	1
29.	77041592	FUSE (NOT SHOWN)	1



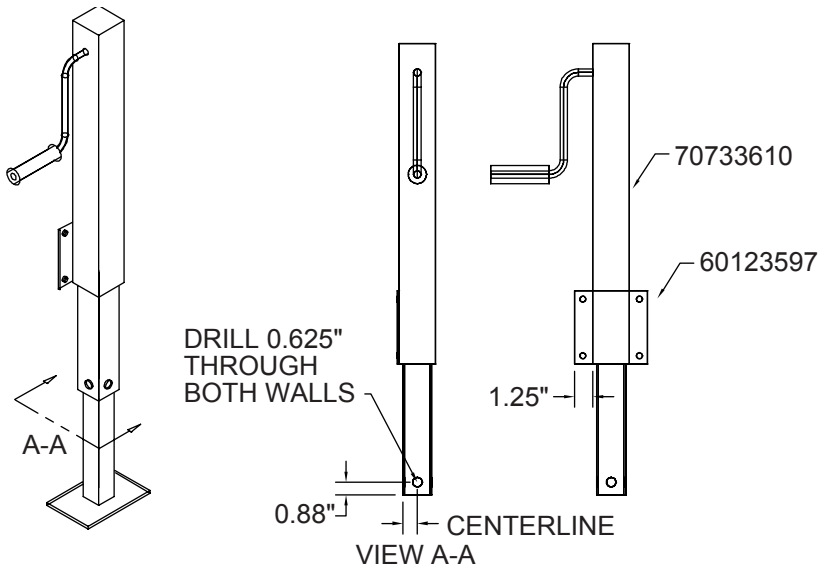
**BOOM SUPPORT ASM-ADJUSTABLE  
 FROM 19"-31" (51708161)**

REV. E 20040726

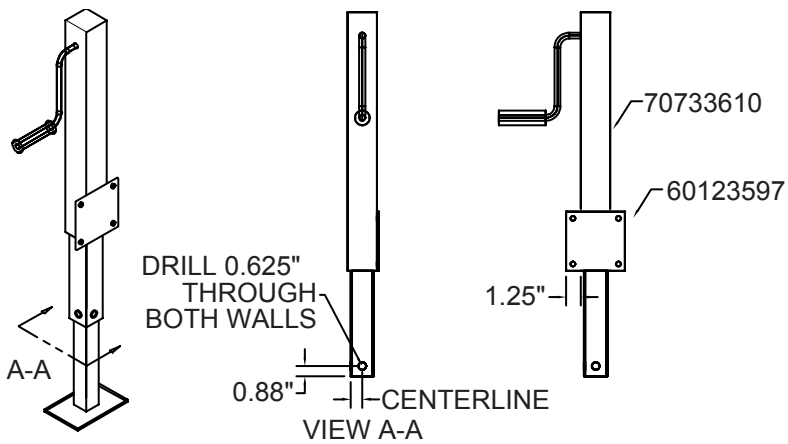
1.	52712318	SADDLE	1
2.	52708159	PEDESTAL	1
3.	60030294	WEAR PAD	1
4.	60112040	TUBE	1
5.	72060025	CAP SCR 5/16-18x1 HHGR5	2
6.	72060047	CAP SCR 3/8-16X1-1/4 HHGR5	4
7.	72060195	CAP SCR 3/4-10X7 HHGR5	1
8.	72062080	NUT 1/2-13 LOCK	2
9.	72062103	NUT 3/8-16 LOCK	4
10.	72062114	NUT 3/4-10 LOCK	1
11.	72063003	WASHER 3/8 WRT	4
12.	72063005	WASHER 1/2 WRT	2
13.	72063008	WASHER 3/4 WRT	2
14.	52708158	U-BOLT	2
15.	76392821	WASHER 3/8 BONDED	4
16.	72063001	WASHER 1/4 WRT	2
17.	72062109	NUT 5/16-18 LOCK	2



**OUTRIGGER ASSEMBLY, JACKLEG,  
RIGHT REAR (52717000)**



**OUTRIGGER ASSEMBLY, JACKLEG, LEFT  
REAR (52717001)**

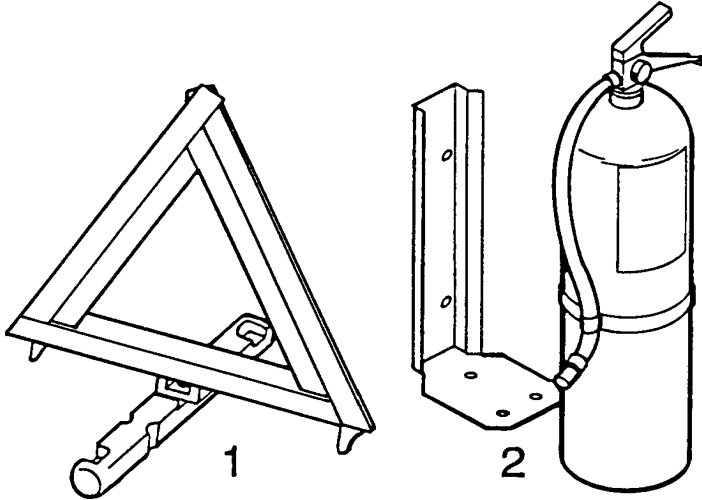


**I.C.C. SAFETY KIT (92091010)**

- 1. 70073146 TRIANGULAR REFLECTOR KIT 1  
(INCLUDES 3 REFLECTORS AND CASE)
- 2. 70073147 FIRE EXTINGUISHER 1  
(WITH BRACKET)

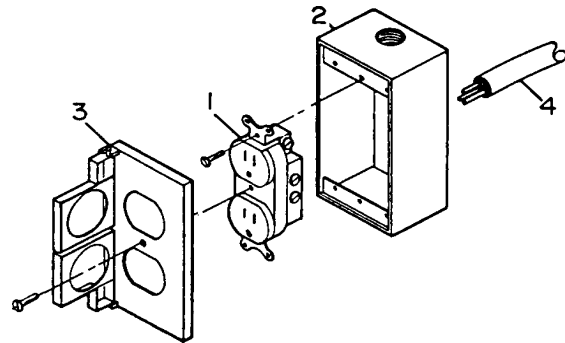
**INDIVIDUAL FIRE EXTINGUISHERS**

- 70073622 FIRE EXTINGUISHER - 10 LB W/  
BRKT70073091 FIRE EXTINGUISHER - 20 LB W/BRKT



**OUTLET KIT-110V (51707760)**

- 1. 77044102 RECEPTACLE WITH GROUND 1
- 2. 77044106 WEATHER PROOF BOX 1
- 3. 77044251 WEATHER PROOF COVER 1
- 4. 89044072 CABLE 12GA/3 WIRE X 216" 1

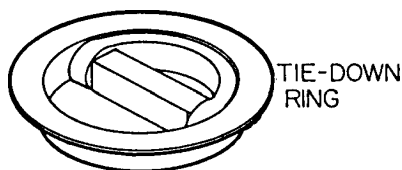


**STEP ASSEMBLY (51714095)**

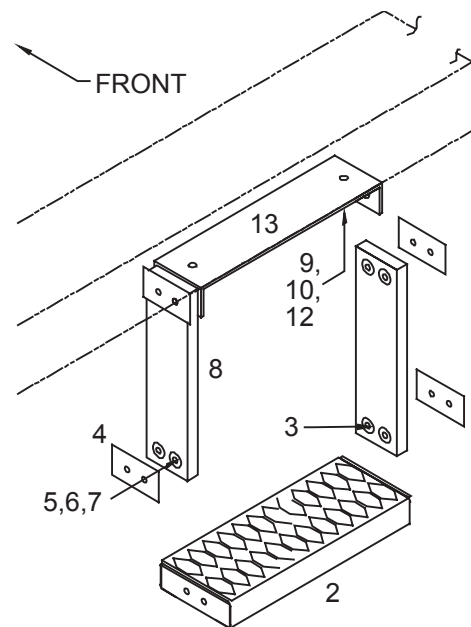
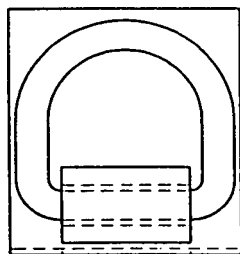
- 1. 51716359 KIT-HARDWARE (INCL:5-7,9-12) 1
- 2. 52714111 STEP 1
- 3. 60104783 SLEEVE 8
- 4. 60120490 PLATE 4
- 5. 72060027 CAP SCR 5/16-18X1-1/2 HHGR5 8REF
- 6. 72062109 NUT 5/16-18 LOCK 8REF
- 7. 72063002 WASHER 5/16 WRT 16REF
- 8. 76394672 BELT-RUBBER 2
- 9. 72063051 WASHER 3/8 LOCK 2REF
- 10. 72060046 CAP SCR 3/8-16X1 HHGR5 2REF
- 11. 72062103 NUT 3/8-16 LOCK 2REF
- 12. 72063003 WASHER 3/8 WRT 4REF
- 13. 60122841 BRACKET 1

**CARGO TIE-DOWN RING (72661303)**

NOTE: WELD ALL AROUND OUTSIDE TOP SURFACE.



**CARGO TIE-DOWN RING (SIDE MOUNTED/RECESSED) (52709830)**



THIS IS VIEWED IN A RIGHT-HAND APPLICATION.  
LEFT-HAND APPLICATION WILL BE OPPOSITE.  
INSERT SLEEVE INTO EACH HOLE IN RUBBER BELT.

## **SPARE PARTS LIST**

### **OIL SYSTEM (2)**

52716552	3 SECTION TANK (OIL/OIL/SALVAGE)
70733524	OIL REEL (2)
73052119	OIL NOZZLE W/METER (2)
70733533	OIL PUMP
70732184	OIL FILL NECK ASSEMBLY W/CAP

### **GREASE SYSTEM**

70733525	GREASE REEL
70733570	GREASE SWIVEL
70733534	GREASE PUMP PACKAGE

### **AIR SYSTEM**

70733520	AIR COMPRESSOR (INGERSOLL RAND)
70733563	CHOKE CABLE ASSEMBLY
70733526	AIR REEL
72532021	QUICK DISCONNECT COUPLER
72532038	QUICK DISCONNECT NIPPLE
51715850	AIR SYSTEM F-R-L

### **OXYGEN / ACETYLENE SYSTEM**

70733522	OXY/ACT REEL
70733539	OXY/ACT TORCH KIT
70733516	OXY/ACT BOTTLE STRAPS
51716581	OXY/ACT TWIN HOSE (6' LONG)

### **SALVAGE SYSTEM**

52716552	3 SECTION TANK (OIL/OIL/SALVAGE)
51716551	SALVAGE PUMP ASSEMBLY
70733523	SALVAGE REEL
70732184	SALVAGE FILL NECK ASSEMBLY W/CAP

### **WELDER SYSTEM**

70733521	WELDER UNIT (MILLER LEGEND NT)
51706696	WELDER LEAD HOOK (BOLT-ON HOOK)
70733540	WELDER LEADS

### **FUEL SYSTEM (16 GALLON AUXILIARY)**

52716573	FUEL TANK (UNDER DECK 16 GALLON)
70733544	PUMP AUXILIARY - 16 GALLON FUEL SYSTEM
72533702	FUEL FILL NECK W/CAP
70733546	FUEL SYSTEM AUXILIARY FILTER

### **MISCELLANEOUS**

77044986	JUMP START BATTERY CONNECTOR END
70146321	EXHAUST CAP W/FLIPPER
70733536	WISE-COMBINATION (4-1/2")
70733258	DRAWER KIT
60250973	LOAD BED COVER (1/8 ALUMINUM DECK PLATE)

**IOWA MOLD TOOLING CO., INC.**  
BOX 189, GARNER, IA 50438-0189  
TEL: 641-923-3711