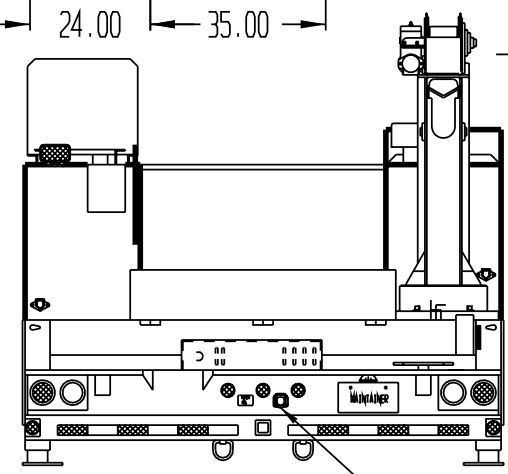
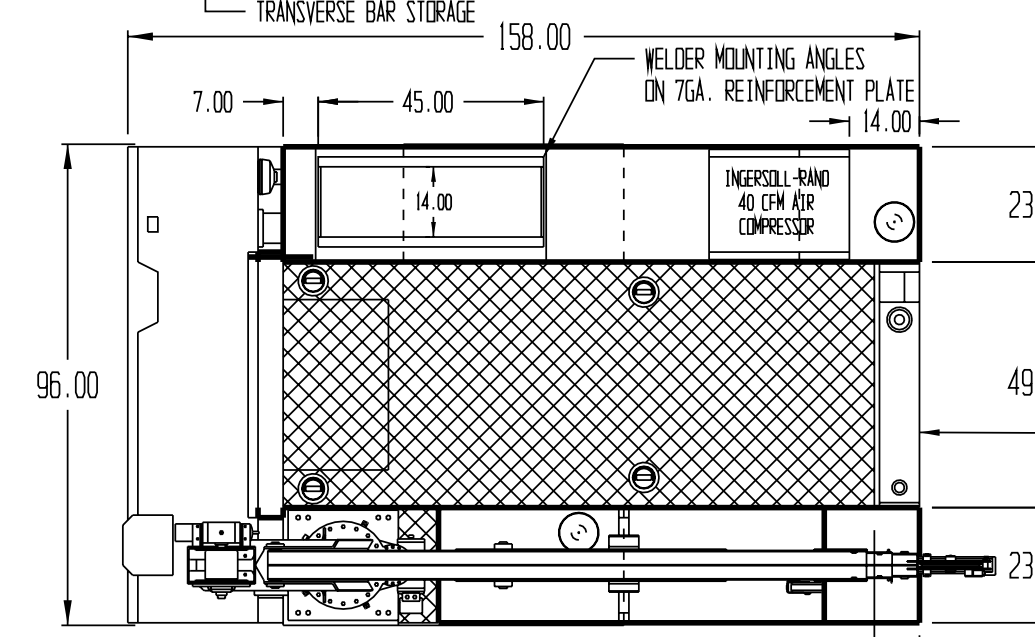
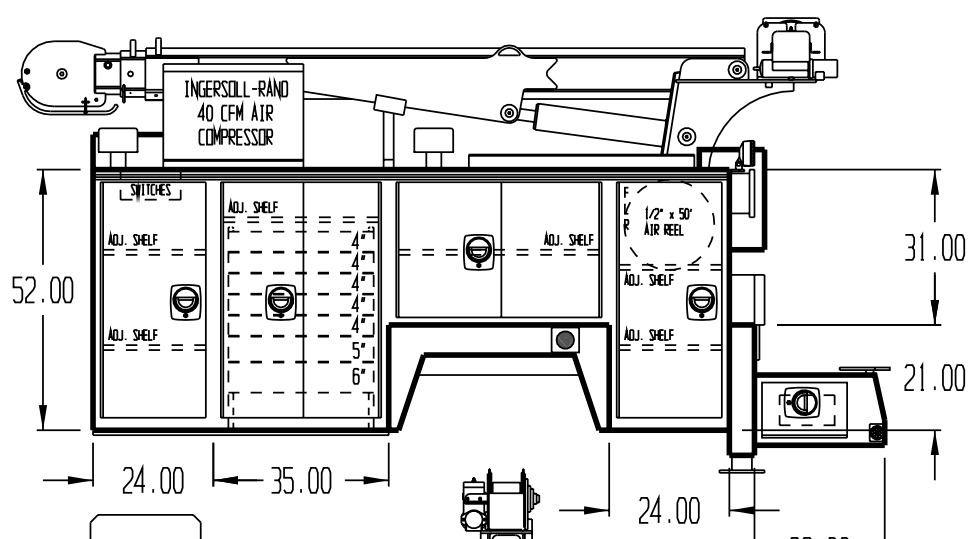
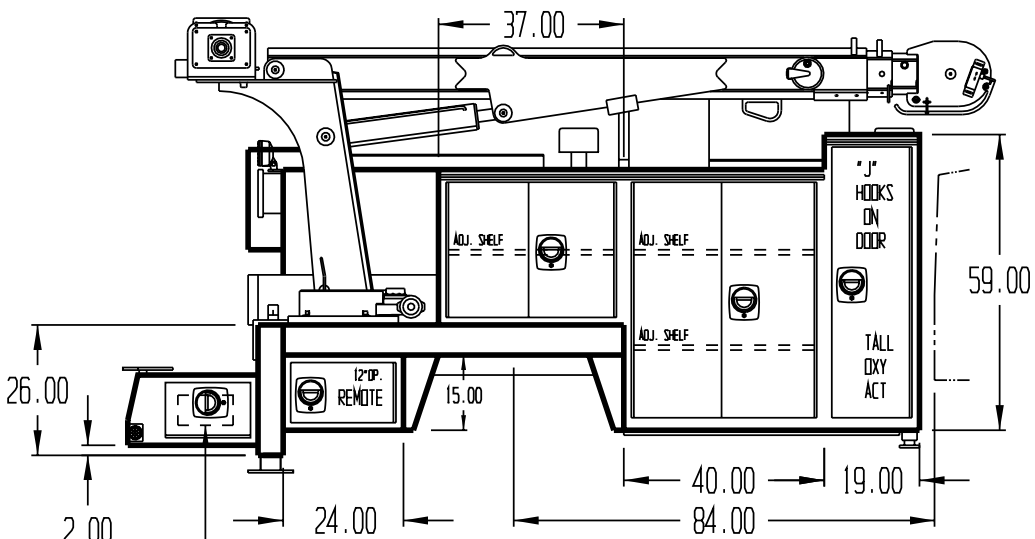


APPROVED BY _____

DATE _____

PAINT CODE _____



NOTE: (6) INTERIOR PETERSON LIGHTS #391
SS 1, 2, 3, 4
CS 2, 3

NOTE: LINE-X CARGO CENTER DECK, COMPARTMENT TOPS, SIDES, (NOT BACKS), FRONT BULKHEAD, TAIL GATE, & TAIL GATE EXTENSION, REAR WORK BENCH BUMPER, AND STEP

NOTE: 20 GALLON AIR STORAGE MOUNTED IN CHASSIS FRAME

PLEASE REPORT ANY ERRORS FOUND ON THIS PRINT

THIS PRINT CONTAINS CONFIDENTIAL INFORMATION AND IS THE SOLE PROPERTY OF MAINTAINER CORP. OF IOWA INC. AND IS NOT TO BE COPIED OR REPRODUCED WITHOUT THE EXPRESSED WRITTEN PERMISSION OF MAINTAINER CORP. OF IOWA INC.		PROPRIETARY DATA PROPERTY OF MAINTAINER CORPORATION OF IOWA, INC. COPYRIGHT © 2002	
MATERIAL:		<p>Corporation of Iowa, Inc. P.O. Box 349 1701 S. 2nd Avenue Sheldon, Iowa 51201</p>	
SCALE: 1:26			
DRAWING NUMBER: Z072K-2		DFTM. KJB	DATE: 1/2/08
6000TT-1-084		HOUSTON AUTOMOTIVE / STOCK	

MADE IN THE USA