

Maintainer

- Galvannealed body to resist corrosion including body shell (12 ga), bulkhead, wheel skirting and all exterior sheeting / Aluminum doors (3/16" thick)
- Cabinet floor reinforcement w/ clean-out drains
- Three point D-ring door latches w/ gas shock door holders
- Adjustable shelving package
- 49" Wide center deck overlaid with deck plating
- 10" Swing-down tailgate
- 12" Deep, full body width, step bumper w/ 2" square frame hitch receiver rated at Class IV (1,500 lb vert & 10,000 lb MGTW) and 7-prong flat blade (RV style) trailer plug
- Fuel fill recessed into body side rail (1-ton only)
- Body primed, undercoated and includes back-up alarm
- I.C.C. round recessed lights, reflectors, mud flaps and rear body grab handles
- Mini I.C.C. Safety kit - 2 1/2 pound ABC fire extinguisher & hazard reflectors

- 1 MTS-1-084, 52" High X 23" Deep Compartments, 11' Long Body, 12 Ga. body, 44" x 21" wheel well opening / installed on chassis
- 1 Adder for 1 or 2 ton service body "Tall Tower Crane" reinforcement structure of body

NOTE: For individual crane equipment & accessory items ie. adj. boom saddle, outrigger pkgs., body leveling pkgs., hyd. pkgs. to operate a crane or other hyd. drive components - Contact Factory

- Hydraulic Cranes (Tall or Short Tower) -

All cranes include a closed center load sensing hydraulic power package consist of a PTO, CC/LS pump, oil reservoir w/ in-tank filter-vented fill cap - sight gauge - suction screen & ball valve, 33 foot remote control w/ proportional trigger & engine start/stop, hydraulic fully extend boom, anti-two block system, overload protection, holding valves, adjustable boom saddle and body spring leveling package (note if air suspension customer will be required to have chassis OEM to provide dual-control)

- 1 Crane 6,350 lb. max. capacity w/ hydraulic extend hex-boom 10' to 24' w/ 2 - rear hydraulic up/down & 1 - manual out crane side outriggers

- Chassis Equipment & Accessories -

- 1 Electronic engine spd. control - computer set - electronic engine

- Compressor Equipment & Accessories -

- 1 Model VHP40RMH hydraulic driven recip. air compressor / two-stage w/ 20 gallon air tank / 40 CFM @ 100 PSI / 40 CFM @ 150 PSI includes cover / hydraulic oil cooler build into assembly
- 1 Air accessory package - filter / lubricator / regulator 1/2" X 50' spring rewind reel, hose & ball stop
- 1 Hose reel access out rear compartment

- Compartment Equipment & Accessories -

- 1 Tall Oxy/Act bottle storage w/ratchet strap, vents, "J" hks. & re/flr.
- 1 2-blowers w/filters for pressurized storage system (PSS)

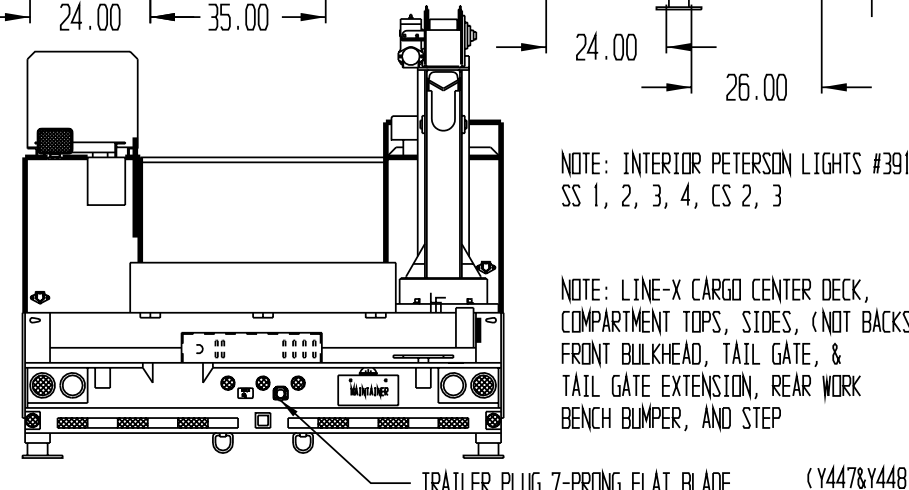
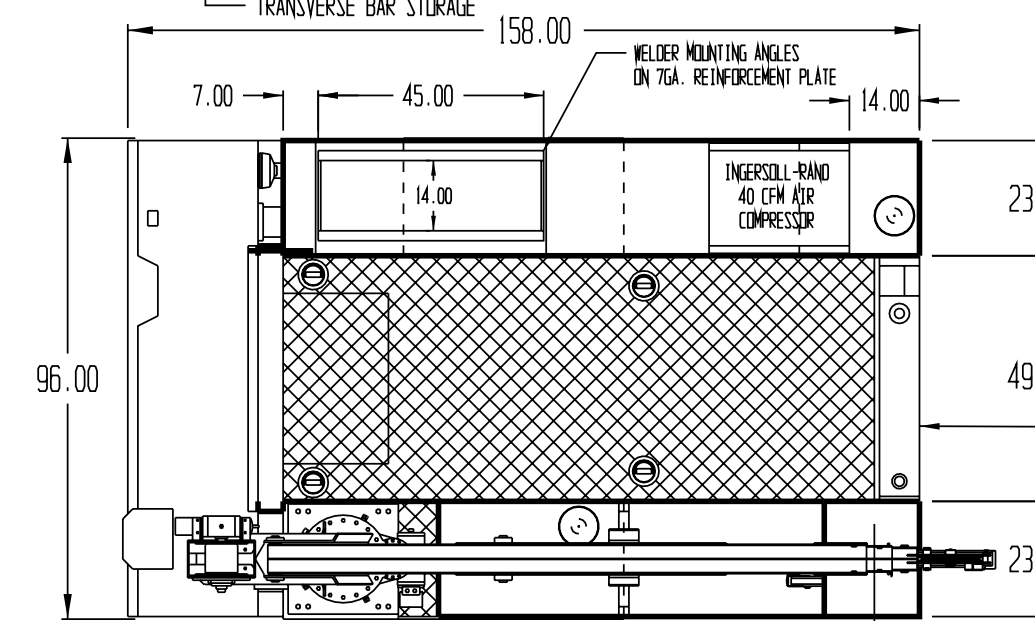
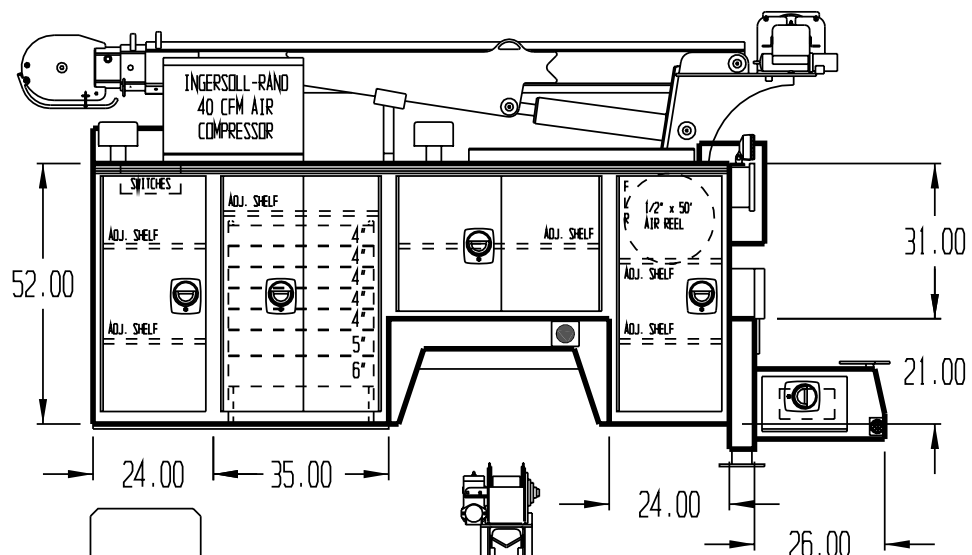
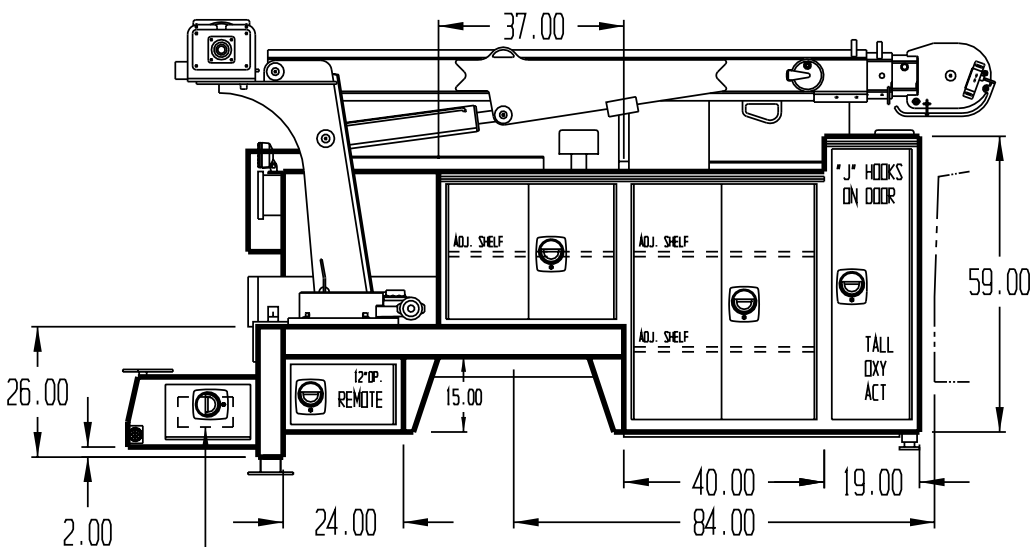
- Lighting / Electrical Equipment & Accessories -

Maintainer

- 1 Exterior 12 v. lighting pkg. (halogen) 1-permanent & 1-remote
- 6 Interior 12V lights - Peterson #391
- Painting Equipment & Accessories -
- 1 Paint body complete - one solid urethane color / List color:
Note: Due to variations in OEM paint products and application methods,
Maintainer cannot guarantee a perfect paint match on colors or metallic.
Note: For metallic or clear coat/base coat paint additional charges
will be required and are not included in this quote unless shown
- 1 Line-X protective spray covering - cargo center deck, compartment tops &
sides, front bulkhead, tail gate & extension, bumper and/or workbench area
- Roll-out Drawer and Tray Equipment & Accessories -
- 1 EZ Latch Aluma (7) drawer HD set (250 lb. cap. Ea.) 29"W x 18"D x (1)-6",
(1)-5", (5)-4"H, overall height 40.5" / 2 F-B dividers & 6 SS adj. Dividers
- Center Deck Equipment & Accessories -
- 4 Flush mount "D" ring tie-downs in bed floor, each
- Rear Bumper Equipment & Accessories -
- 1 26" workbench bumper with 2-side storage compartments includes
2" square frame hitch receiver and round recessed tail & marker lights
- 1 Transverse bar storage compt. in workbench bumper
- Miscellaneous Equipment & Accessories -
- 1 Vise / grinder removable mounting plate
- 1 Welder mounting angles for top of compartment installation

APPROVED BY: _____ DATE: _____ PAINT CODE: Z1 WHITE WELDER TYPE MILLER

****NOTE: THIS DRAWING MUST BE SIGNED AND RETURNED BY 9-6-07 TO HOLD CURRENT PRODUCTION SLOT****



NOTE: INTERIOR PETERSON LIGHTS #391 SS 1, 2, 3, 4, CS 2, 3

NOTE: LINE-X CARGO CENTER DECK, COMPARTMENT TOPS, SIDES, (NOT BACKS), FRONT BULKHEAD, TAIL GATE, & TAIL GATE EXTENSION, REAR WORK BENCH BUMPER, AND STEP

NOTE: 20 GALLON AIR TANK MOUNTED IN CHASSIS FRAME

007244 OIL RES.
37 GALLON
NOTE:
USABLE CENTER DECK CARGO WIDTH 48.50"
NOTE: 6" SILLS & 4" X-MEMBERS

PLEASE REPORT ANY ERRORS FOUND ON THIS PRINT

THIS PRINT CONTAINS CONFIDENTIAL INFORMATION AND IS THE SOLE PROPERTY OF MAINTAINER CORP. OF IOWA INC. AND IS NOT TO BE COPIED OR REPRODUCED WITHOUT THE EXPRESSED WRITTEN PERMISSION OF MAINTAINER CORP. OF IOWA INC.		PROPRIETARY DATA PROPERTY OF MAINTAINER CORPORATION OF IOWA, INC.	
COPYRIGHT © 2002			
<p>SCALE: 1:26</p> <p>SIZE: B</p>		<p>DFTM. KJB</p> <p>DATE: 8-27-07</p>	
<p>MADE IN THE USA</p>		<p>DRAWING NUMBER: Y447</p> <p>6000T-1-084 HOUSTON AUTOMOTIVE GROUP 6238 6239</p>	