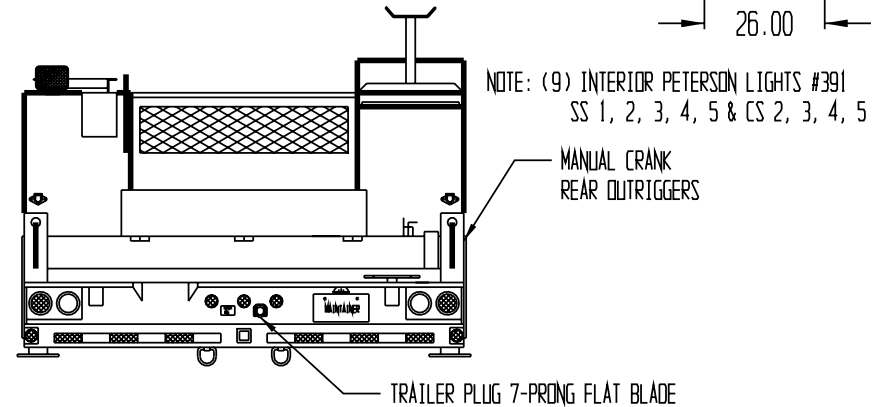
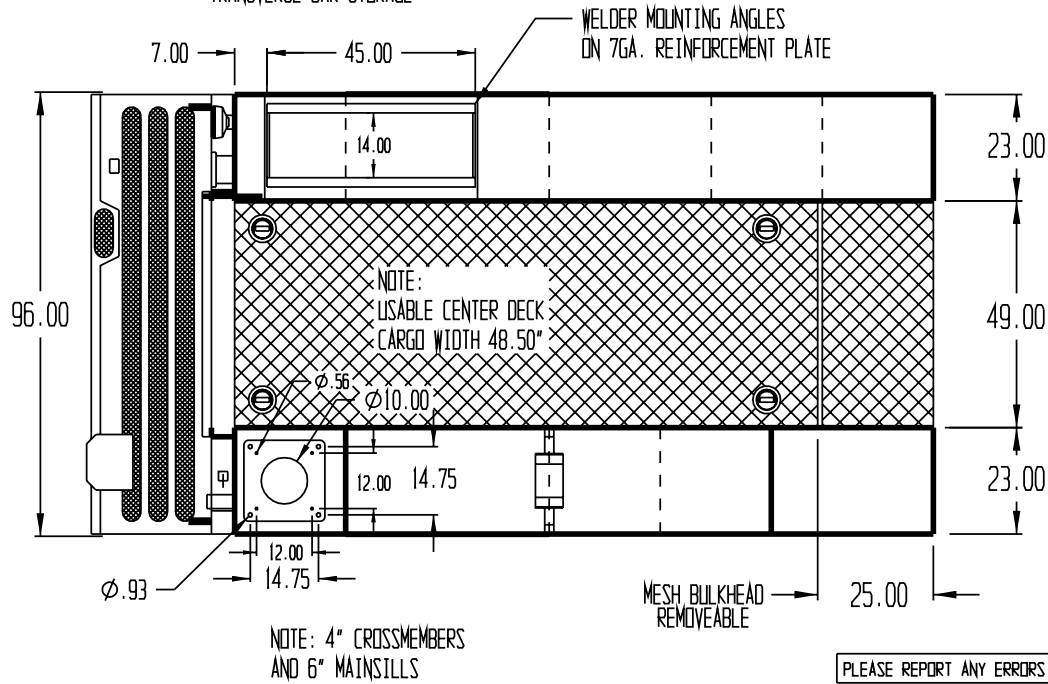
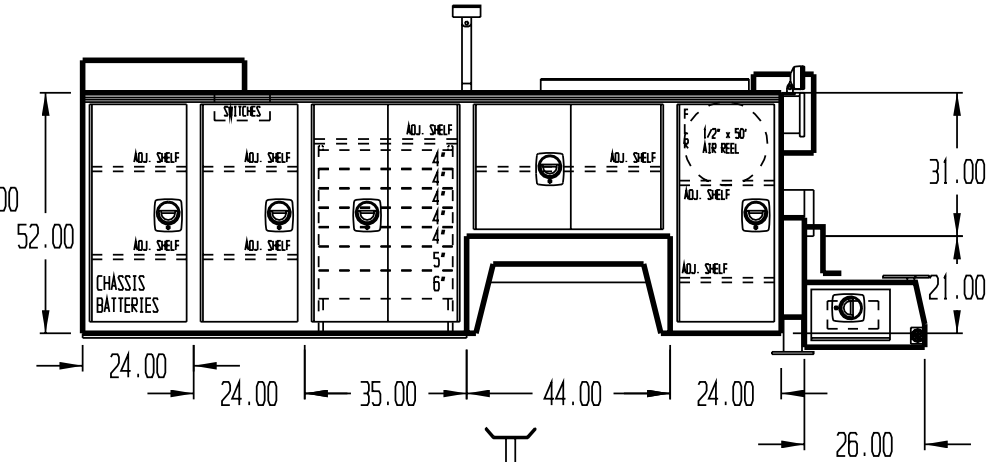
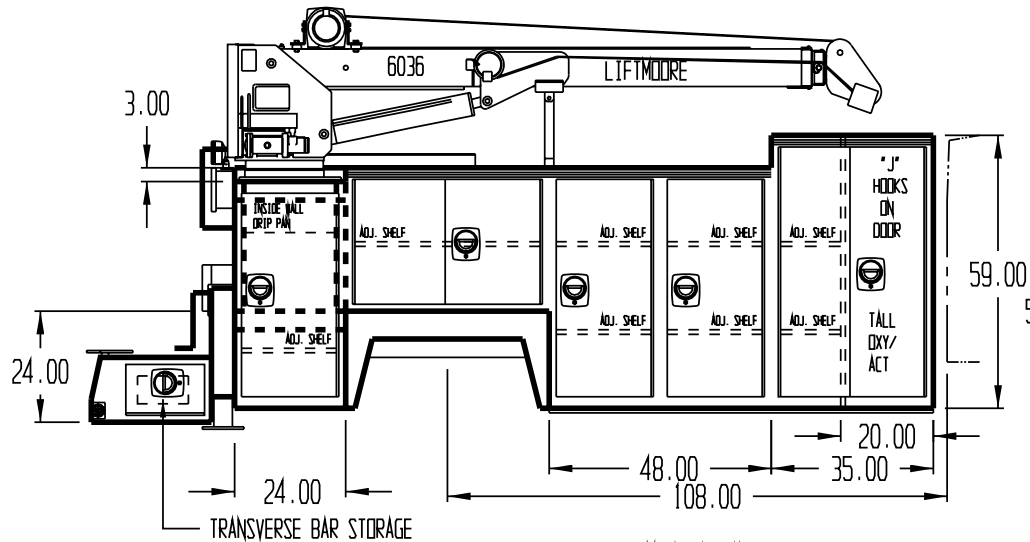


APPROVED BY: _____

DATE: _____

PAINT CODE: 9219 WHITE

WELDER TYPE MILLER



THIS PRINT CONTAINS CONFIDENTIAL INFORMATION AND IS THE SOLE PROPERTY OF MAINTAINER CORP. OF IOWA INC. AND IS NOT TO BE COPIED OR REPRODUCED WITHOUT THE EXPRESSED WRITTEN PERMISSION OF MAINTAINER CORP. OF IOWA INC.

PROPRIETARY DATA PROPERTY OF MAINTAINER CORPORATION OF IOWA, INC.

COPYRIGHT © 2001

ALL DIMENSIONS ARE IN INCHES
GENERAL TOLERANCES

MATERIAL:

BREAK ALL EDGES .01 X 45°	ANGULAR ± 1° .XX ± .03 .XXX ± .005
LOD RADII	LOD ANGLES

SCALE: 1:32	SIZE: B
-------------	---------

DRAWING NUMBER: Y421-3

DFTM. KJB

DATE: 8-8-07

MADE IN THE USA

1-108

HOUSTON AUTOMOTIVE GROUP (6149)

PLEASE REPORT ANY ERRORS FOUND ON THIS PRINT