

# LIFTMOORE 3200 CRANE

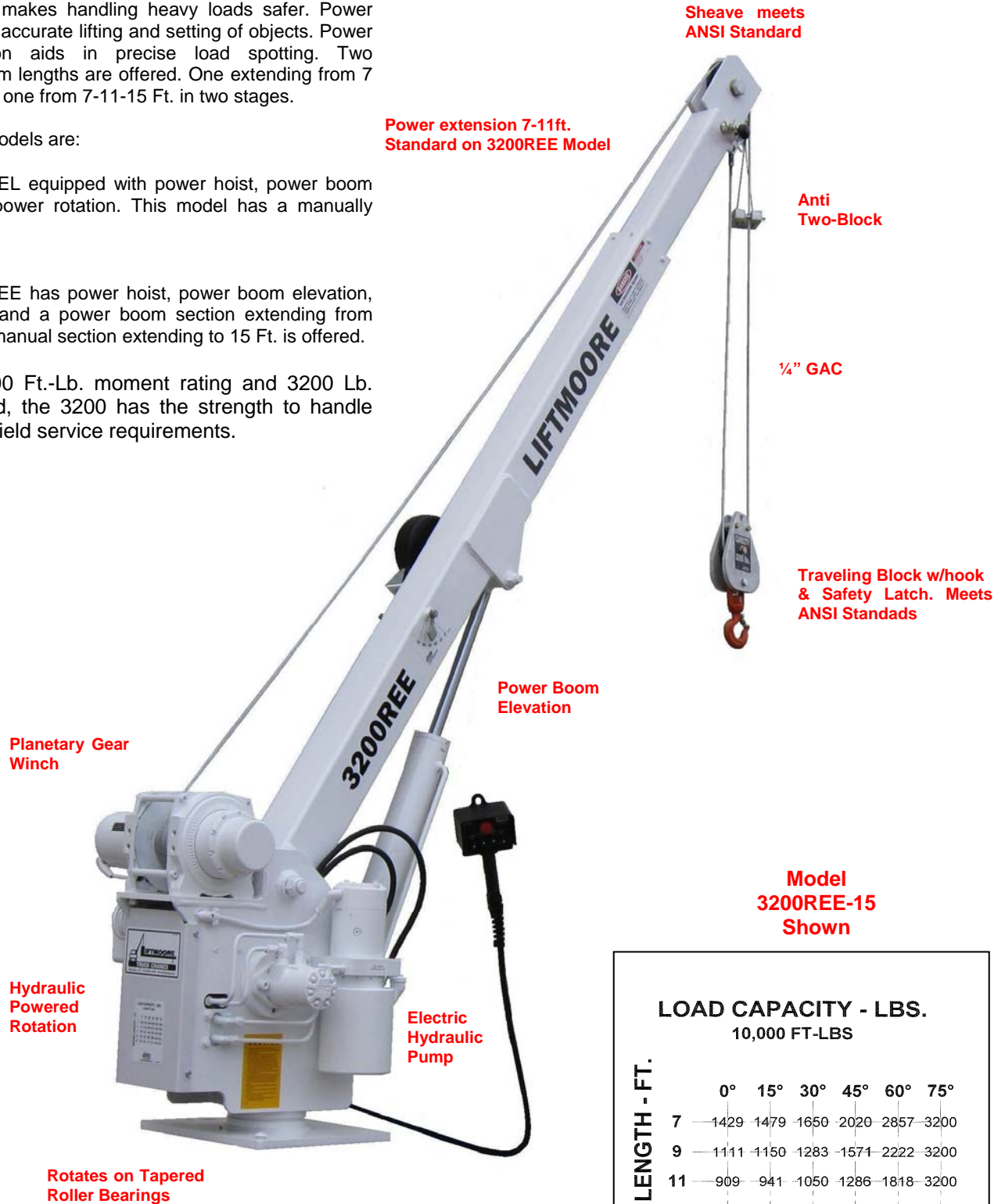
**10,000 FT.-LB. MOMENT RATING**  
**3,200 LB. MAXIMUM CAPACITY**  
 with power options

The Model 3200 Liftmoore Crane is a very versatile unit equipped with power features for easy operation. Power boom elevation allows remote control of the boom angle. Power rotation makes handling heavy loads safer. Power hoist makes for accurate lifting and setting of objects. Power boom extension aids in precise load spotting. Two extendable boom lengths are offered. One extending from 7 ft. to 11 Ft., and one from 7-11-15 Ft. in two stages.

The standard models are:

- Model 3200REL equipped with power hoist, power boom elevation and power rotation. This model has a manually extended boom.
- Model 3200REE has power hoist, power boom elevation, power rotation and a power boom section extending from 7Ft. to 11Ft. A manual section extending to 15 Ft. is offered.

With its 10,000 Ft.-Lb. moment rating and 3200 Lb. Maximum load, the 3200 has the strength to handle many of your field service requirements.



**Model 3200REE-15 Shown**

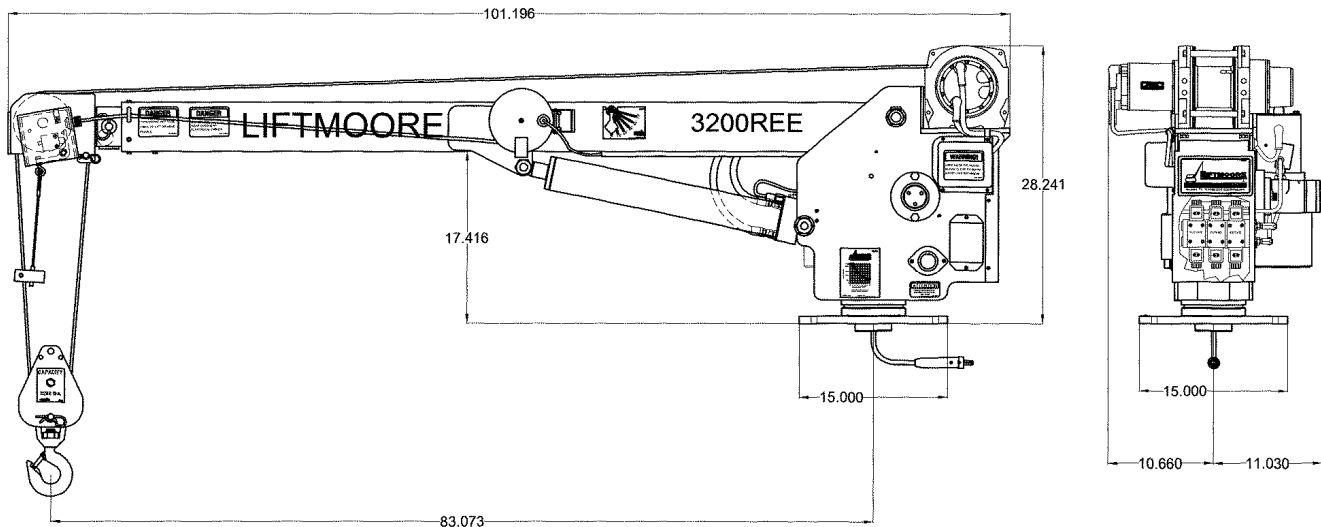
LOAD CAPACITY - LBS.		10,000 FT.-LBS					
		0°	15°	30°	45°	60°	75°
BOOM LENGTH - FT.	7	1429	1479	1650	2020	2857	3200
	9	1111	1150	1283	1571	2222	3200
	11	909	941	1050	1286	1818	3200
	13	769	796	888	1088	1538	2972
	15	667	690	770	943	1333	2576



HOUSTON, TEXAS  
 FAX: (800) 824-5559 (USA & Canada)  
 FAX: (713) 688-6324  
 PHONE: (713) 688-5533  
 www.liftmoore.com

  
 713-688-5533  
 WWW.LIFTMOORE.COM

# 3200 SPECIFICATIONS



**MOMENT RATING:** 10,000 Ft.-Lbs.

**HOIST WINCH:** The hoist winch has a planetary gear drive for best possible efficiency. A 2.7 HP permanent magnet electric motor powers the winch. Single line capacity of the winch is 2000 Lbs. Load is controlled by a load apportioned mechanical brake located in the winch drum. Ratio between winch drum and wire rope meets ANSI B30.5 requirements.

First layer performance of the winch is as follows:

Load-Lbs	Hook Speed-Ft/ Min.	Electrical-Amps @ 12VDC
1000	13.1	64
2000	11.9	115

Note: Two part line required for loads above 2000Lbs.

**WIRE ROPE and SHEAVES:** The crane is supplied with 62 Ft. of ¼ in. galvanized aircraft cable. Minimum breaking strength of the rope is 7000 lbs. The wire rope is outside of the boom and visible for operators continual inspection. A traveling block for easy two-part hookup is included. All sheaves meet ANSI requirements.

**BOOM:** The boom is capable of moving from -5 to +75 Degrees. A double acting cylinder with an integral counterbalance valve elevates the boom. The counterbalance valve has two important functions. This valve holds the cylinder in the event of hose failure and it controls the rate of boom decent.

**Two standard models available.**

**3200REL** The boom manually extends from 7 Ft. to 11 Ft with a optional 4-Ft. manual pull out to 15 Ft. with one intermediate position at 13 Ft.

**3200REE** The boom extends under power from 7 Ft. to 11 Ft. with a optional 4-Ft manual pull out to 15 Ft. with one intermediate position at 13 Ft.

**HYDRAULIC SYSTEM:** A hydraulic pump driven by a 12 volt D.C. series wound electric motor powers the crane's rotation, elevation and extension functions. The pump is a gear type with a 1.3 GPM capacity at 500 PSI. Control of the hydraulic functions is through four way spring centered solenoid activated valves. Valves have manual over-ride capability and are mounted on a manifold for easy access.

**ROTATION SYSTEM:** The hydraulic powered rotation is driven by a low speed, high torque hydraulic motor. The crane rotates 360 degrees continuously without limit on two 4" ID tapered roller bearings.

**REMOTE PENDANT CONTROL:** An 18-Ft. long remote pendant is provided for control of each powered function. The pendant control is removable from the crane to prevent unauthorized use of the crane. An E-Stop is included for emergency shutdown of all crane power as required by OSHA.

**LOAD SENSOR:** A load-limiting sensor is supplied as standard. This sensor will shut down hoist up, boom out & boom down when an overload is detected. The sensor will reset after the load is lowered.

**ANTI TWO-BLOCK:** Anti two-block is standard on this crane & prevents extending the boom against the travel block and breaking the cable.

**POWER SOURCE:** Crane is powered by the truck's 12 volt DC system. A second battery is required to keep the voltage as high as possible and should be installed in parallel with the vehicle's battery. A Group 31"DEEP CYCLE" battery is recommended. 25 Ft of 1/0 battery cable with quick disconnect is included along with a 3-ft ground wire, 150amp circuit breaker and master cut off switch.

**MOUNTING:** An 11,000-Lb or larger GVWR chassis is recommended. Four 0.50" X 3.0" long Grade 8 hex head cap screws and lock nuts are provided. Mounting plate is 15" square with a 12" square bolt pattern.

**OUTRIGGERS:** An optional outrigger is needed for stability requirements of OSHA 1910.180. The outrigger is necessary to reduce the load on the crane's rotation mechanism and the truck's suspension.

**BOOM REST:** A boom rest is required on all power rotation model cranes.



HOUSTON, TEXAS  
 FAX: (800) 824-5559 (USA & Canada)  
 FAX: (713) 688-6324  
 PHONE: (713) 688-5533  
 www.liftmoore.com