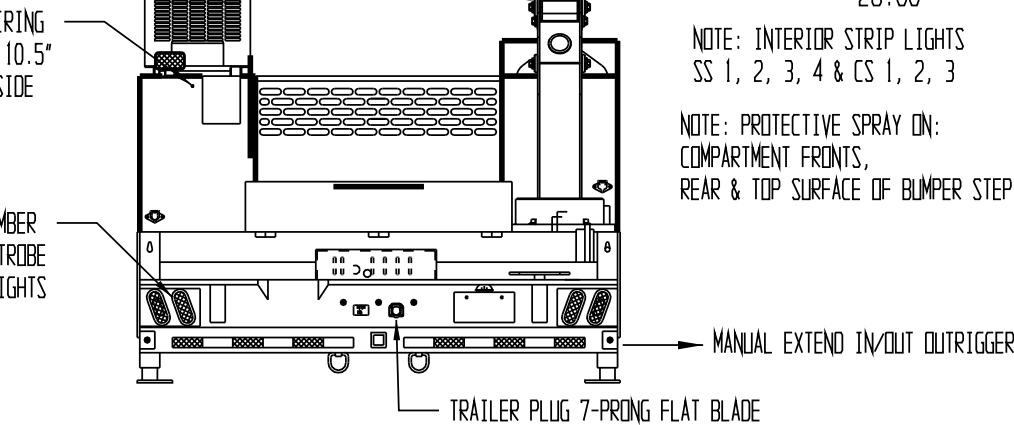
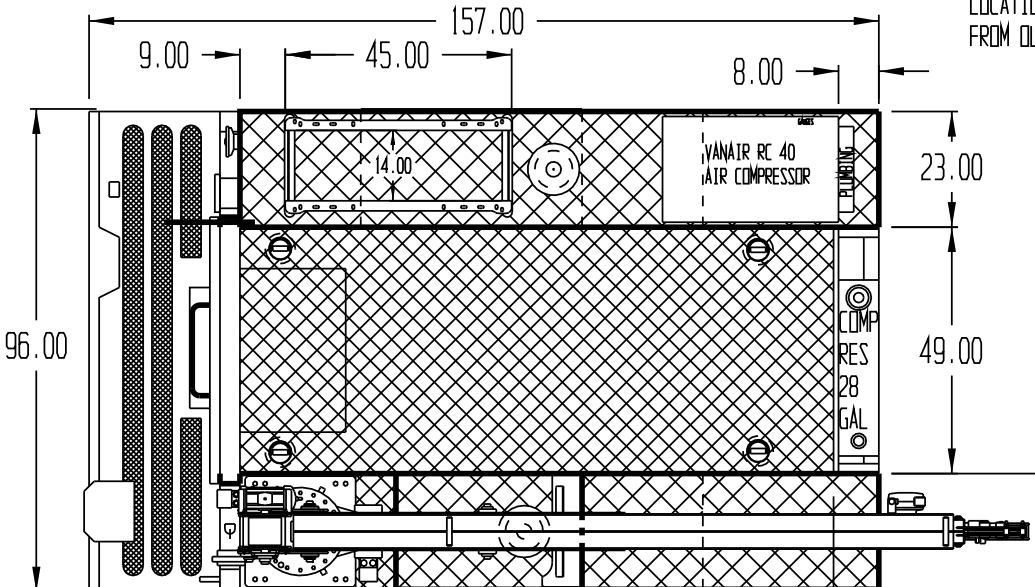
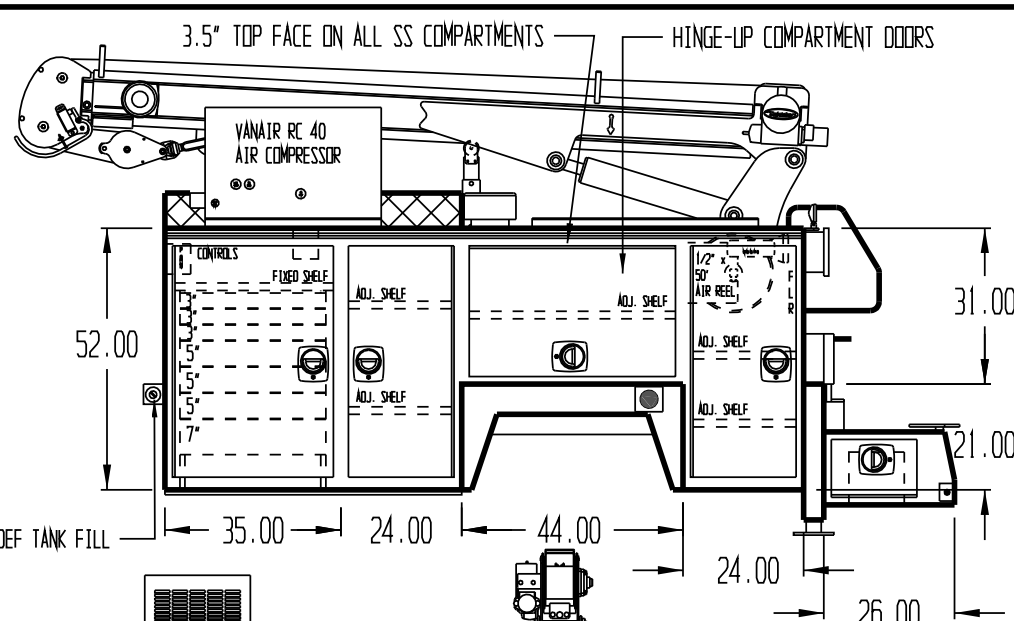
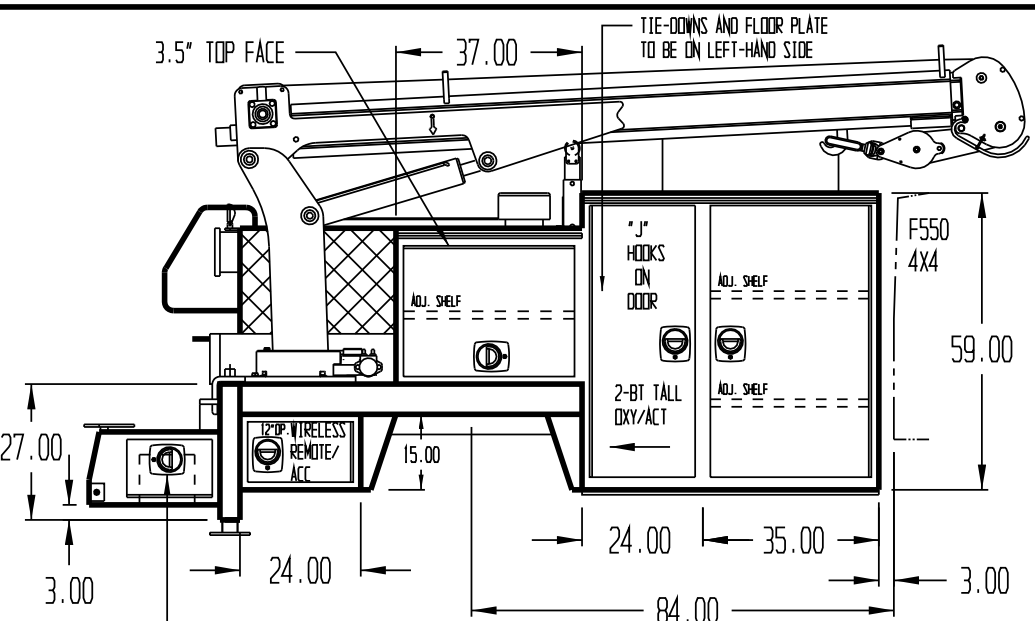


APPROVED BY _____

DATE _____

PAINT CODE _____

Z1 OXFORD WHITE



NOTE: INTERIOR STRIP LIGHTS
SS 1, 2, 3, 4 & CS 1, 2, 3

NOTE: PROTECTIVE SPRAY ON:
COMPARTMENT FRONTS,
REAR & TOP SURFACE OF BUMPER STEP

NOTE: 17 GALLON AIR STORAGE
MOUNTED IN FRAME

SLOTTED BULKHEAD 9.00

CUSTOM WIRING
LOCATION 10.5"
FROM OUTSIDE

NOTE:
USABLE CENTER DECK
CARGO WIDTH 48.50"

NOTE:
10" TALL SUBFRAME
WITH FORMED CROSS
MEMBER ANGLES

| | | | |
|--|--|---|---|
| THIS PRINT CONTAINS CONFIDENTIAL INFORMATION AND IS THE SOLE PROPERTY OF MAINTAINER CORP. OF IOWA INC. AND IS NOT TO BE COPIED OR REPRODUCED WITHOUT THE EXPRESSED WRITTEN PERMISSION OF MAINTAINER CORP. OF IOWA INC. | | PROPRIETARY DATA PROPERTY OF MAINTAINER CORPORATION OF IOWA, INC. | |
| LOD DIMENSIONS ARE IN INCHES GENERAL TOLERANCES | | COPYRIGHT © 2002 | |
| BREAK ALL EDGES .01 X 45° | ANGULAR ± 1° .XX ± .03 .XXX ± .005 | MATERIAL: | Thaintainer Corporation of Iowa, Inc. P.O. Box 349 1701 S. 2nd Avenue Sheldon, Iowa 51201 |
| LOD RADI | LOD ANGLES | SCALE: 1:26 | |
| MADE IN THE USA | | DRAWING NUMBER: MNC1777 | DFTM. PS DATE: 4/6/20 |
| | | H6520TT-1-084 | HOUSTON AUTOMOTIVE / STOCK |