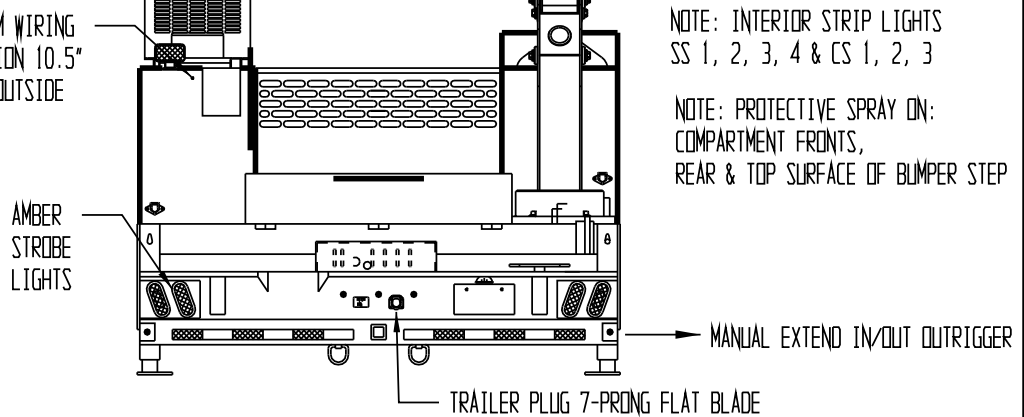
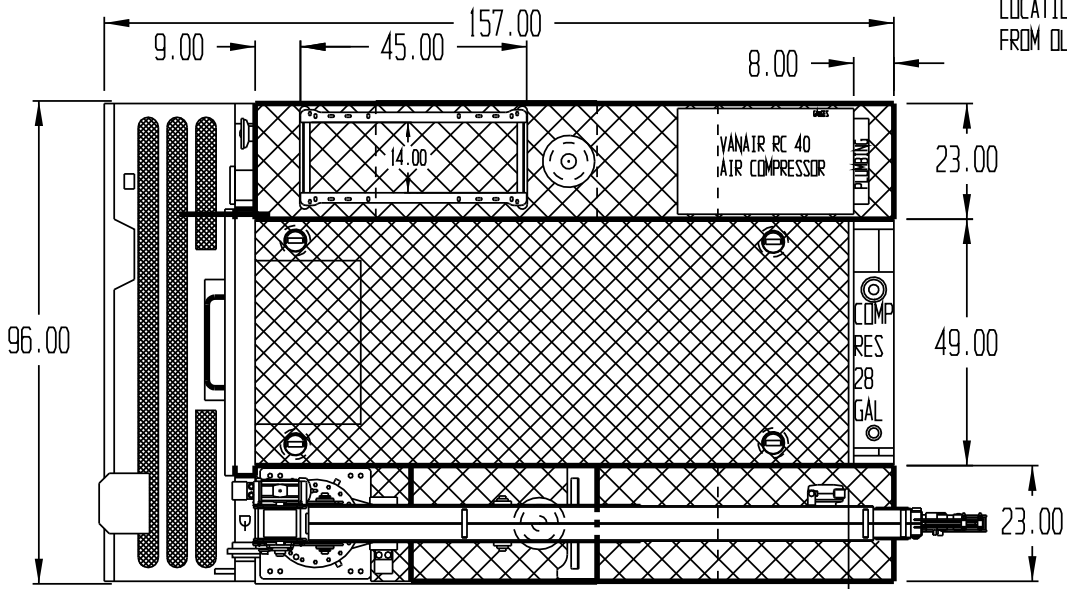
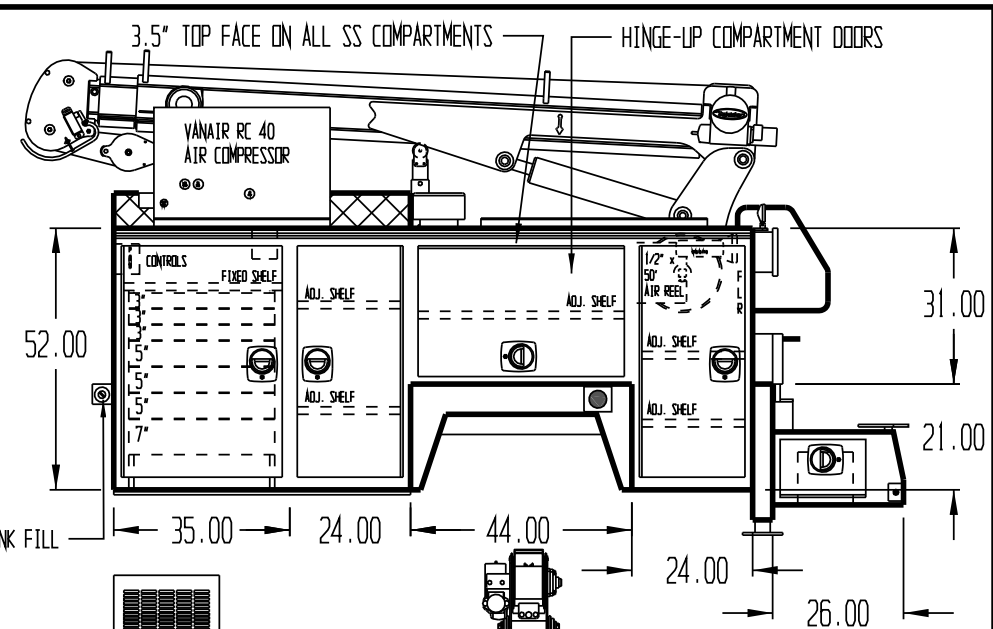
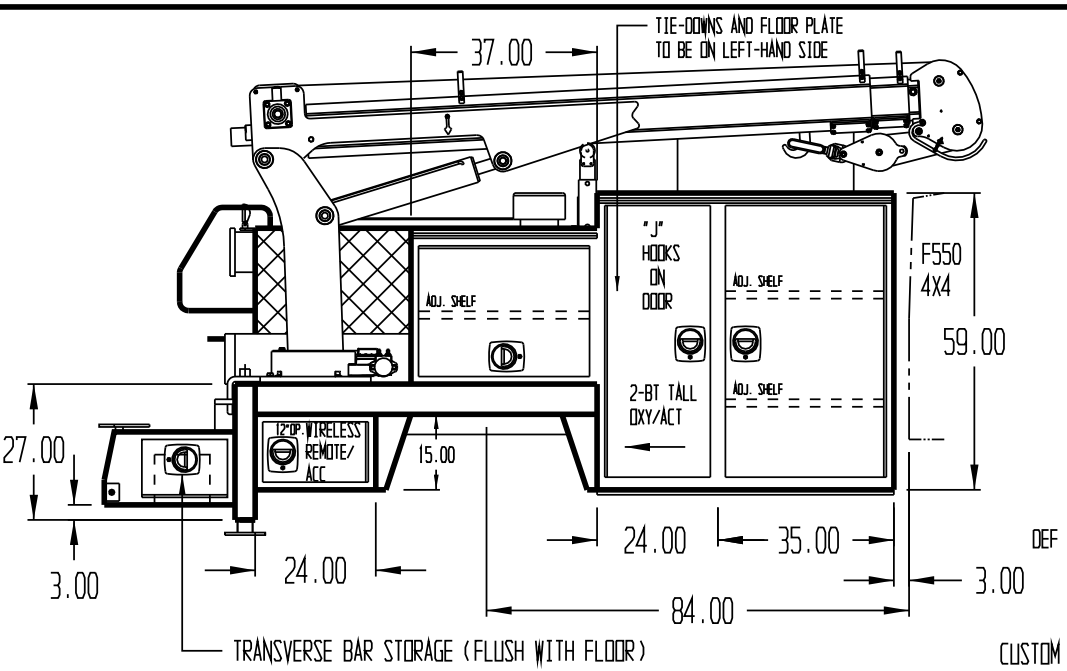


APPROVED BY _____

DATE _____

PAINT CODE _____

Z1 OXFORD WHITE



NOTE: 17 GALLON AIR STORAGE MOUNTED IN FRAME

SLOTTED BULKHEAD 9.00

NOTE: USABLE CENTER DECK CARGO WIDTH 48.50"

NOTE: 10" TALL SUBFRAME WITH FORMED CROSS MEMBER ANGLES

THIS PRINT CONTAINS CONFIDENTIAL INFORMATION AND IS THE SOLE PROPERTY OF MAINTAINER CORP. OF IOWA INC. AND IS NOT TO BE COPIED OR REPRODUCED WITHOUT THE EXPRESSED WRITTEN PERMISSION OF MAINTAINER CORP. OF IOWA INC.				PROPRIETARY DATA PROPERTY OF MAINTAINER CORPORATION OF IOWA, INC.	
LOIS DIMENSIONS ARE IN INCHES GENERAL TOLERANCES				COPYRIGHT © 2002	
BREAK ALL EDGES .01 X 45°		ANGULAR ± 1° .XX ± .03 .XXX ± .005		MATERIAL:	
LOIS RADI		LOIS ANGLES		SCALE: 1:26 SIZE: B	
MADE IN THE USA		DRAWING NUMBER: MNC1776		DFTM. PS DATE: 4/2/20	
		H7024TT-1-084		HOUSTON AUTOMOTIVE / STOCK	

Thaintainer
 Corporation of Iowa, Inc.
 P.O. Box 349 1701 S. 2nd Avenue
 Sheldon, Iowa 51201