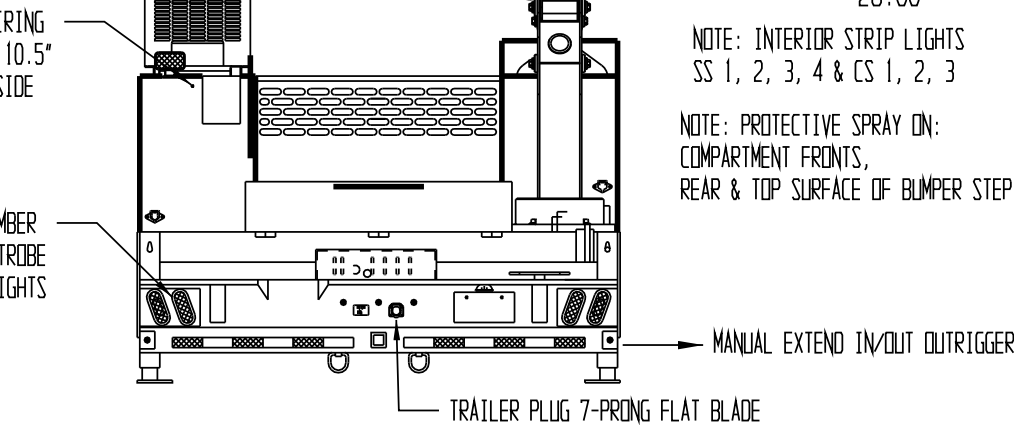
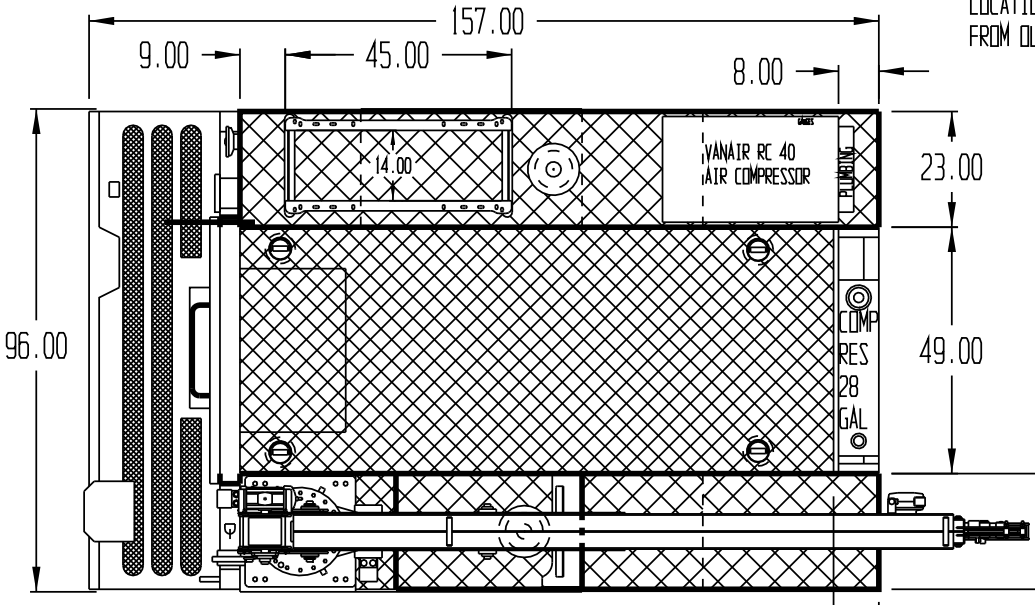
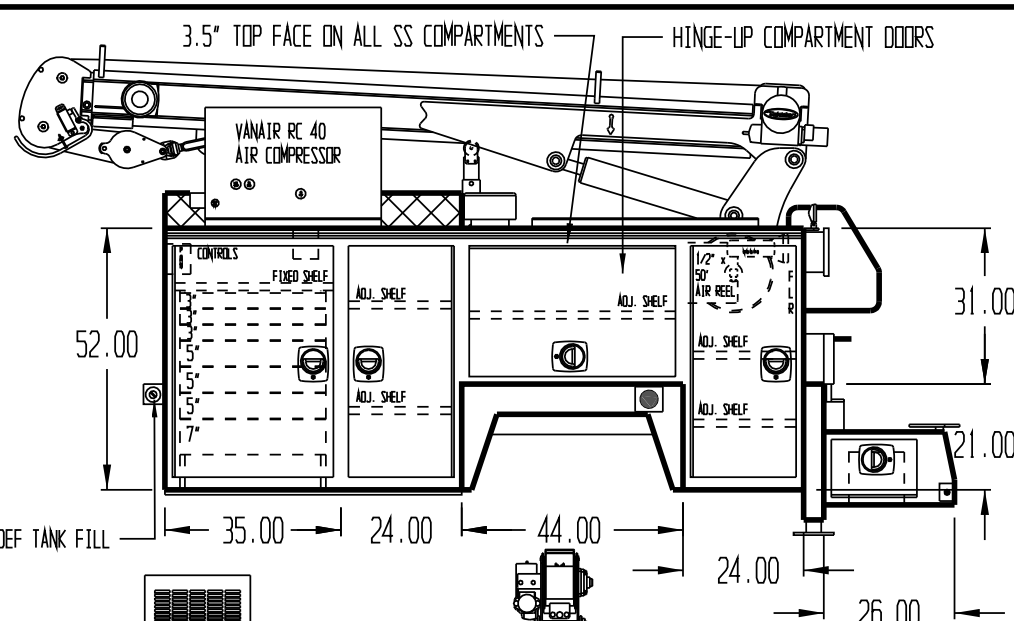
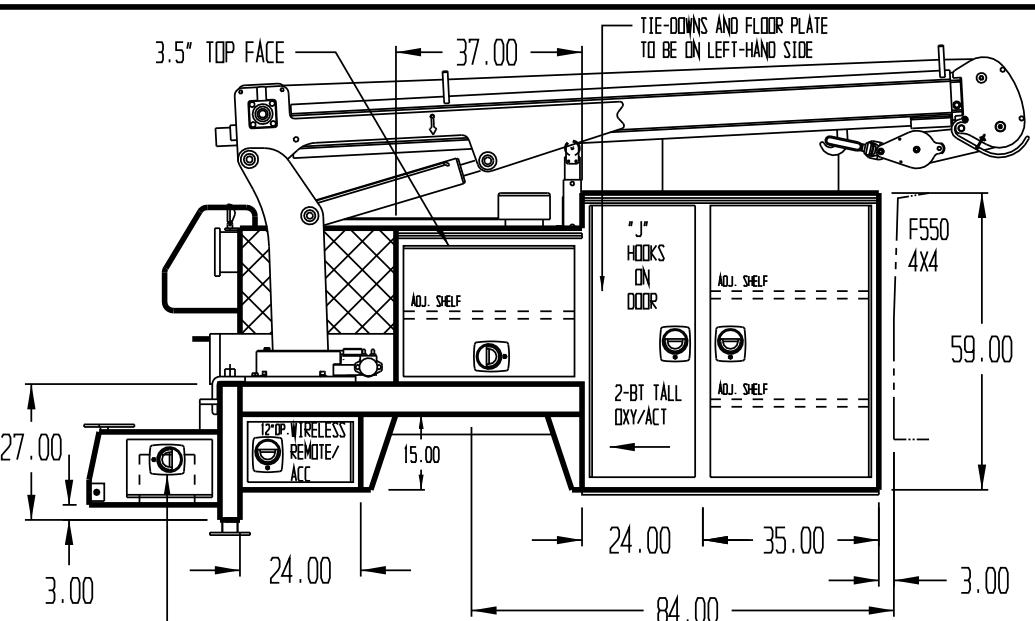


APPROVED BY \_\_\_\_\_

DATE \_\_\_\_\_

PAINT CODE \_\_\_\_\_

Z1 OXFORD WHITE



NOTE: INTERIOR STRIP LIGHTS  
SS 1, 2, 3, 4 & CS 1, 2, 3

NOTE: PROTECTIVE SPRAY ON:  
COMPARTMENT FRONTS,  
REAR & TOP SURFACE OF BUMPER STEP

NOTE: 17 GALLON AIR STORAGE MOUNTED IN FRAME

SLOTTED BULKHEAD 9.00

NOTE:  
USABLE CENTER DECK  
CARGO WIDTH 48.50"

NOTE:  
10" TALL SUBFRAME  
WITH FORMED CROSS  
MEMBER ANGLES

THIS PRINT CONTAINS CONFIDENTIAL INFORMATION AND IS THE SOLE PROPERTY OF MAINTAINER CORP. OF IOWA INC. AND IS NOT TO BE COPIED OR REPRODUCED WITHOUT THE EXPRESSED WRITTEN PERMISSION OF MAINTAINER CORP. OF IOWA INC.		PROPRIETARY DATA PROPERTY OF MAINTAINER CORPORATION OF IOWA, INC.	
LOD DIMENSIONS ARE IN INCHES GENERAL TOLERANCES		COPYRIGHT © 2002	
BREAK ALL EDGES .01 X 45°	ANGULAR ± 1° .XX ± .03 .XXX ± .005	MATERIAL:	<b>Thaintainer</b> Corporation of Iowa, Inc. P.O. Box 349 1701 S. 2nd Avenue Sheldon, Iowa 51201
LOD RADII	LOD ANGLES	SCALE: 1:26	SIZE: B
MADE IN THE USA		DRAWING NUMBER: MNC1777	DFTM. PS DATE: 4/6/20
		H6520TT-1-084	HOUSTON AUTOMOTIVE / STOCK