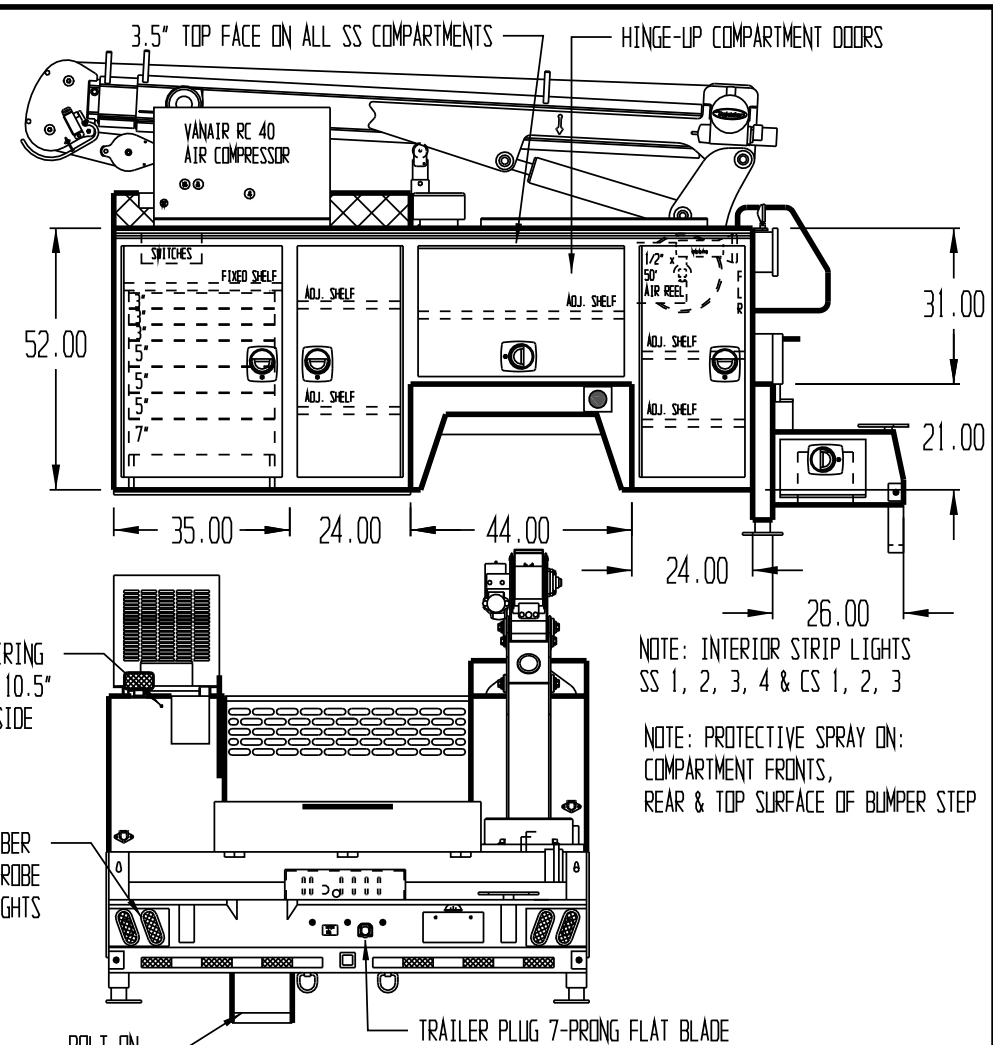
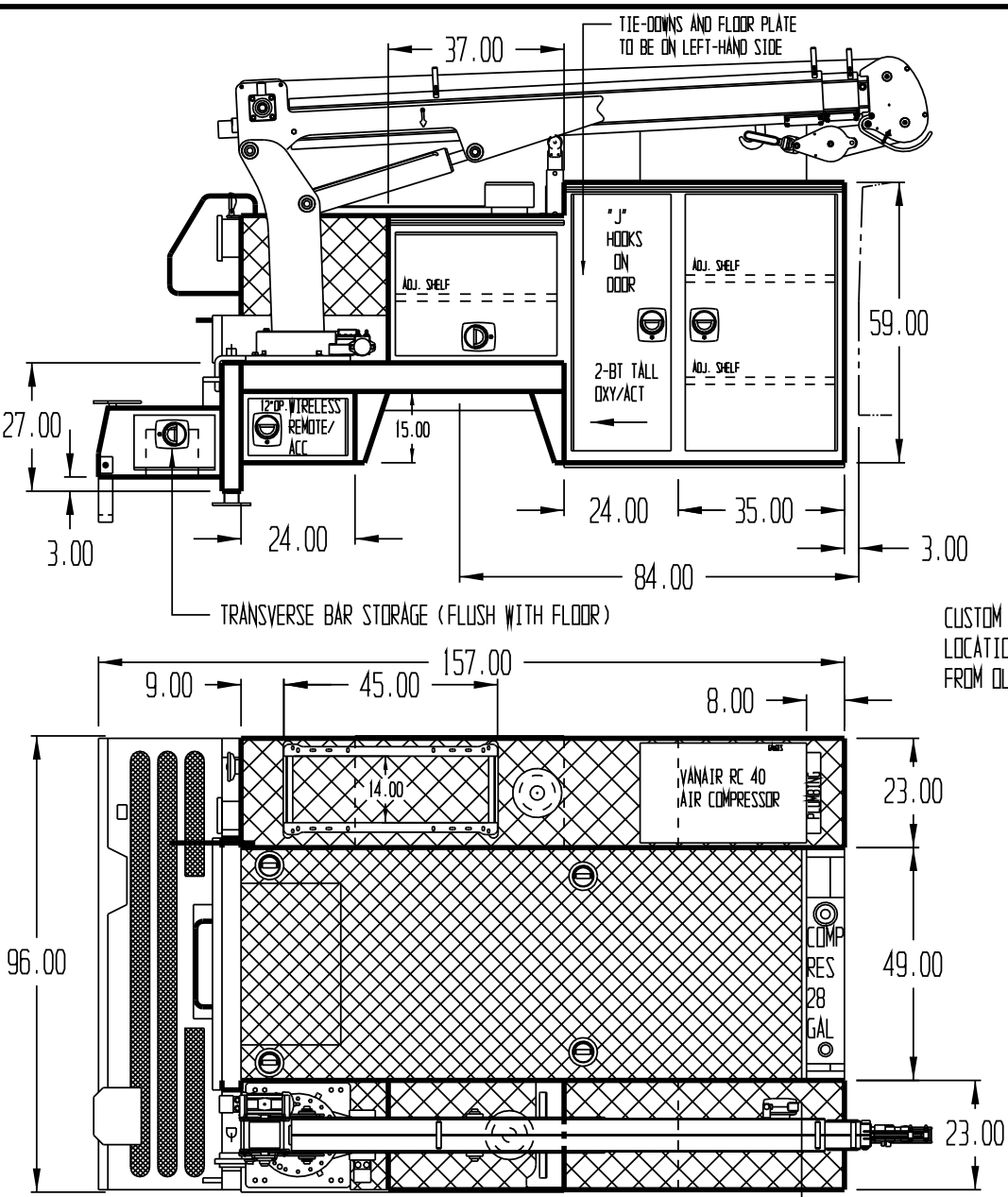


APPROVED BY \_\_\_\_\_

DATE \_\_\_\_\_

PAINT CODE \_\_\_\_\_

PW7 BRIGHT WHITE



NOTE:  
USABLE CENTER DECK CARGO WIDTH 48.50"

NOTE:  
10" TALL SUBFRAME WITH FORMED CROSS MEMBER ANGLES

THIS PRINT CONTAINS CONFIDENTIAL INFORMATION AND IS THE SOLE PROPERTY OF MAINTAINER CORP. OF IOWA, INC. AND IS NOT TO BE COPIED OR REPRODUCED WITHOUT THE EXPRESSED WRITTEN PERMISSION OF MAINTAINER CORP. OF IOWA, INC.

PROPRIETARY DATA PROPERTY OF MAINTAINER CORPORATION OF IOWA, INC.  
COPYRIGHT © 2002

**Traintainer**  
Corporation of Iowa, Inc.  
P.O. Box 349 1701 S. 2nd Avenue  
Sheldon, Iowa 51201

MATERIAL:		SCALE: 1:26	SIZE: B
DRAWING NUMBER: 190392-190393	DFTM. PS	DATE: 7/22/19	
H7024TT-1-084		HOUSTON AUTOMOTIVE / STOCK	

LOD DIMENSIONS ARE IN INCHES  
GENERAL TOLERANCES

BREAK ALL EDGES .01 X 45°	ANGULAR ± 1° .XX ± .03 .XXX ± .005
LOD RADI	LOD ANGLES

MADE IN THE USA