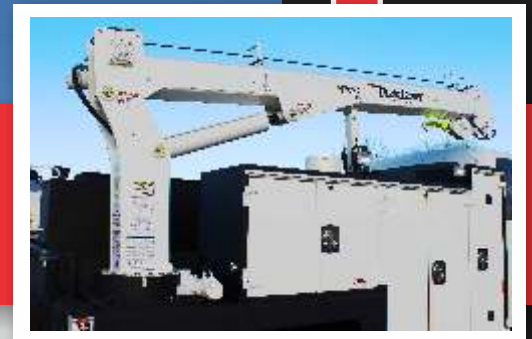


Maintainer



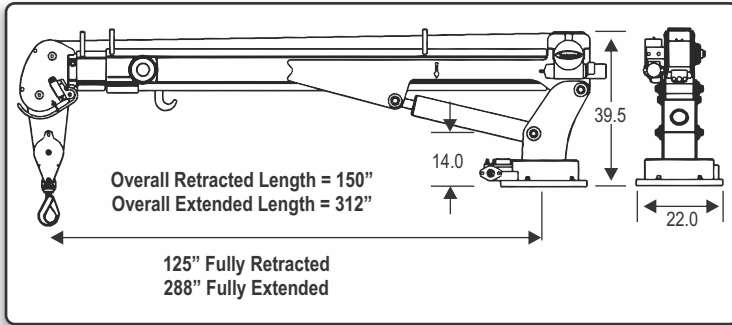
H7024 CRANE



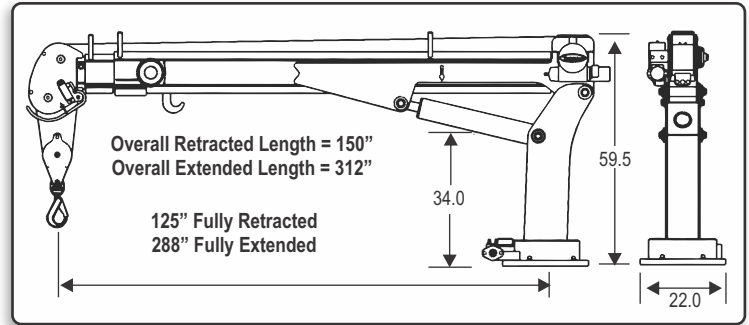
CAUTION
UNLAWFUL TO OPERATE
THIS EQUIPMENT

specifications

short tower



tall tower



features:

- "Boom Mounted" Winch - 30 fpm
- Dual Part Line (Single Part Capable)
- Weight—1,700 lb.
- Total Operational Range 91° (-13 to +78)
- Double Sheave Design
- Anti-Two Block Relocation (Inboard)
- 110 ft. of 3/8 in dia. Steel Cable
- 615° Rotation
- 24 ft. Hydraulic Reach
- Hexagonal Boom
- Tall and Short Tower Configurations
- Closed-center/Load-sensing Hydraulic System
- OSHA 1910.180 / ANSI B30.5 Compliant
- User-friendly Load Block storage
- Wireless Remote Control - standard
- Advanced Crane Control - standard



options:

- Open-center Hydraulic System
- Planetary Winch - 60 fpm
- LED Flood Lights on Boom Tip

ratings:

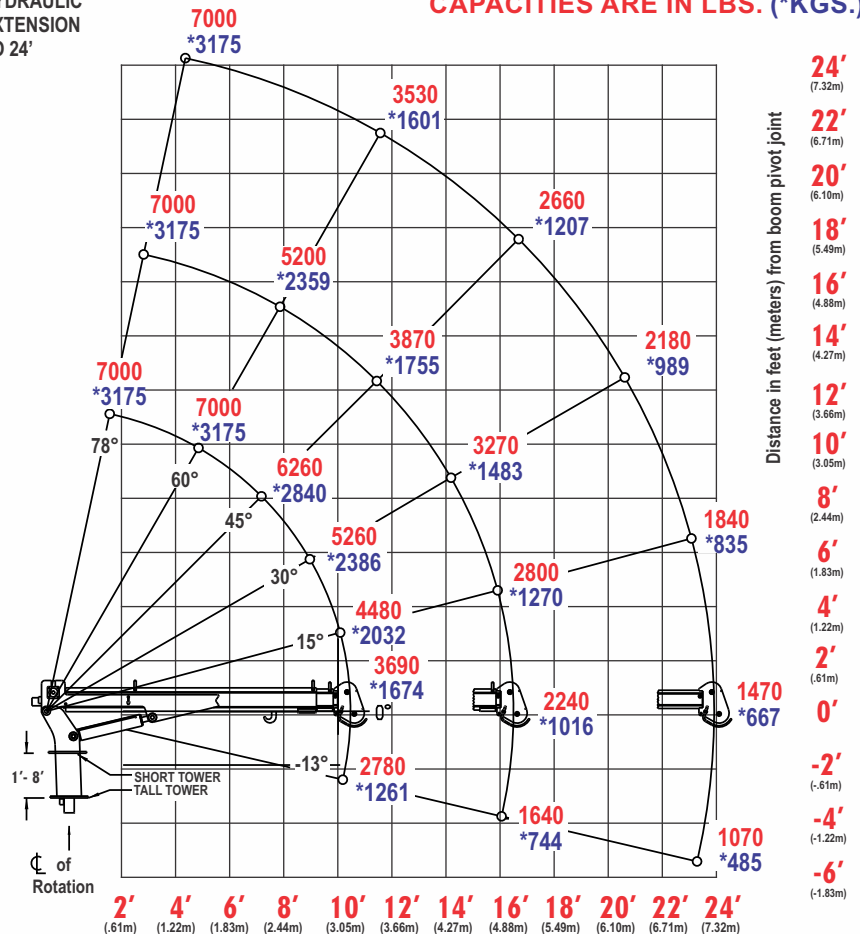
H7024 CRANE CAPACITY CHART 45,100 FT*LB CRANE RATING

MAX SINGLE LINE CAPACITY IS 4300 LBS. (1950 KG)
FOR GREATER LOADS USE 2 PART LINE
OUTRIGGERS MUST BE EXTENDED AND DOWN

DEDUCT FROM CAPACITIES
THE WEIGHTS OF LOAD
HANDLING DEVICES

HYDRAULIC
EXTENSION
TO 24'

CAPACITIES ARE IN LBS. (*KGS.)



www.

Maintainer.com

MAINTAINER CORPORATION OF IOWA, INC.
1701 2nd Avenue | Sheldon, Iowa 51201 | Ph: 800-831-8588