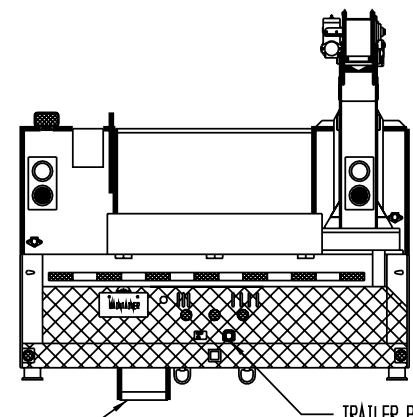
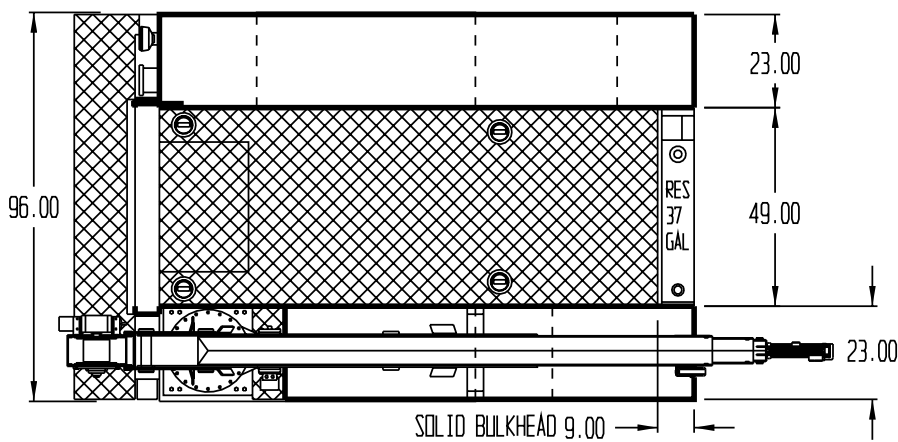
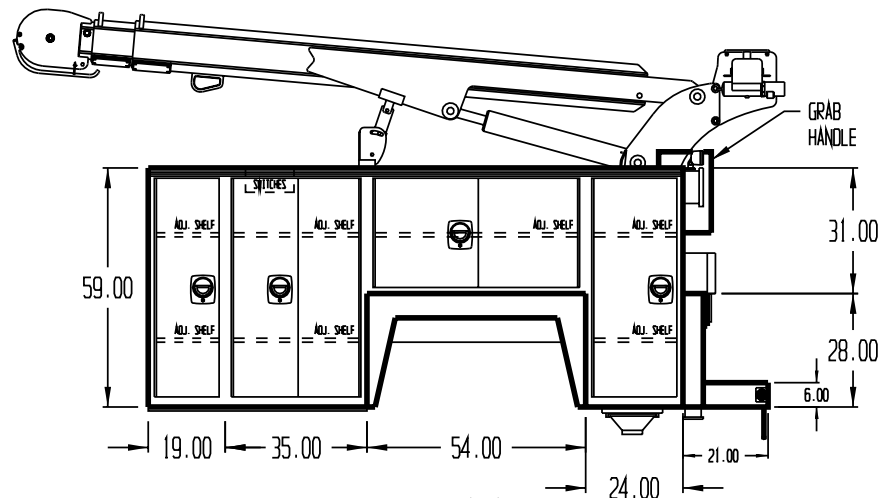
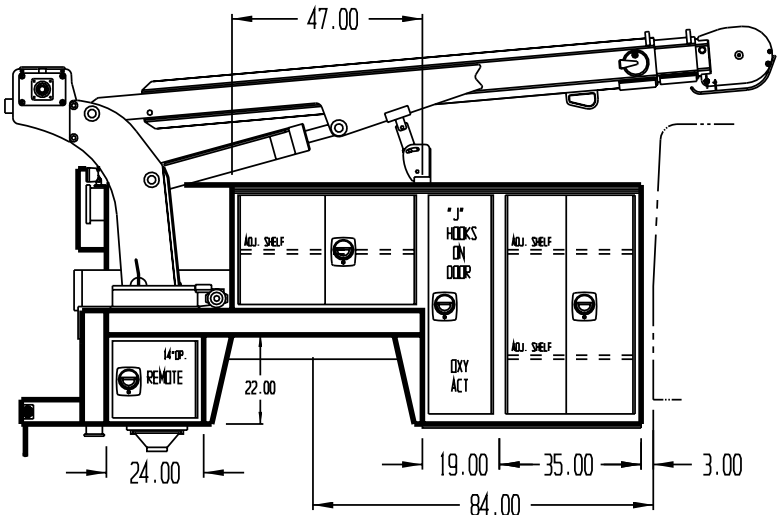


APPROVED BY _____

DATE _____

PAINT CODE YZ OXFORD WHITE _____



NOTE: (6) INTERIOR PETERSON LIGHTS #391 SS 1, 2, 3, 4 & CS 1, 3

NOTE: USABLE CENTER DECK CARGO WIDTH 48.50"

NOTE: 8" SILLS & 4" X-MEMBERS

PLEASE REPORT ANY ERRORS FOUND ON THIS PRINT

THIS PRINT CONTAINS CONFIDENTIAL INFORMATION AND IS THE SOLE PROPERTY OF MAINTAINER CORP. OF IOWA, INC. AND IS NOT TO BE COPIED OR REPRODUCED WITHOUT THE EXPRESSED WRITTEN PERMISSION OF MAINTAINER CORP. OF IOWA, INC.

PROPRIETARY DATA PROPERTY OF MAINTAINER CORPORATION OF IOWA, INC.
 COPYRIGHT © 2000
Thaintainer
 Corporation of Iowa, Inc.
 P.O. Box 349 1701 S. 2nd Avenue
 Sheldon, Iowa 51201

UNITS DIMENSIONS ARE IN INCHES
 GENERAL TOLERANCES

BREAK ALL EDGES .01 X 45°	ANGULAR ± 1° .XX ± .03 .XXX ± .005
UNITS RADIUS	UNITS ANGLES

MATERIAL: SCALE: 1:32 SIZE: B DRAWING NUMBER: Z401-1

MADE IN THE USA

10000TT-2-084 HOUSTON AUTOMOTIVE GROUP

DFTM. KJB DATE: 8/8/08