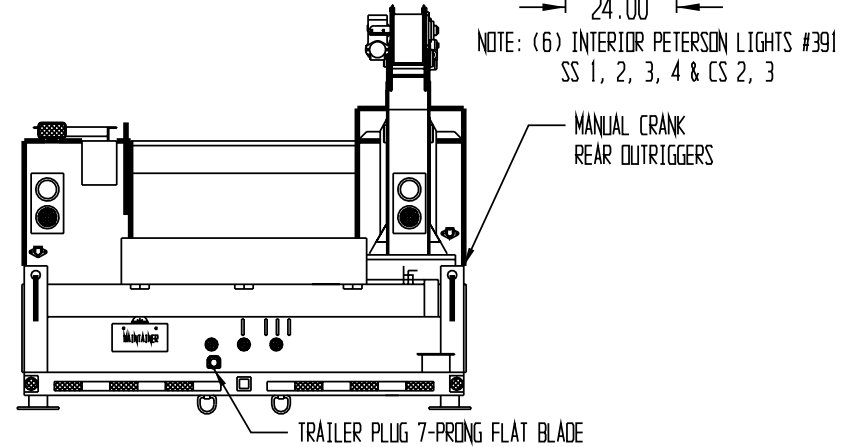
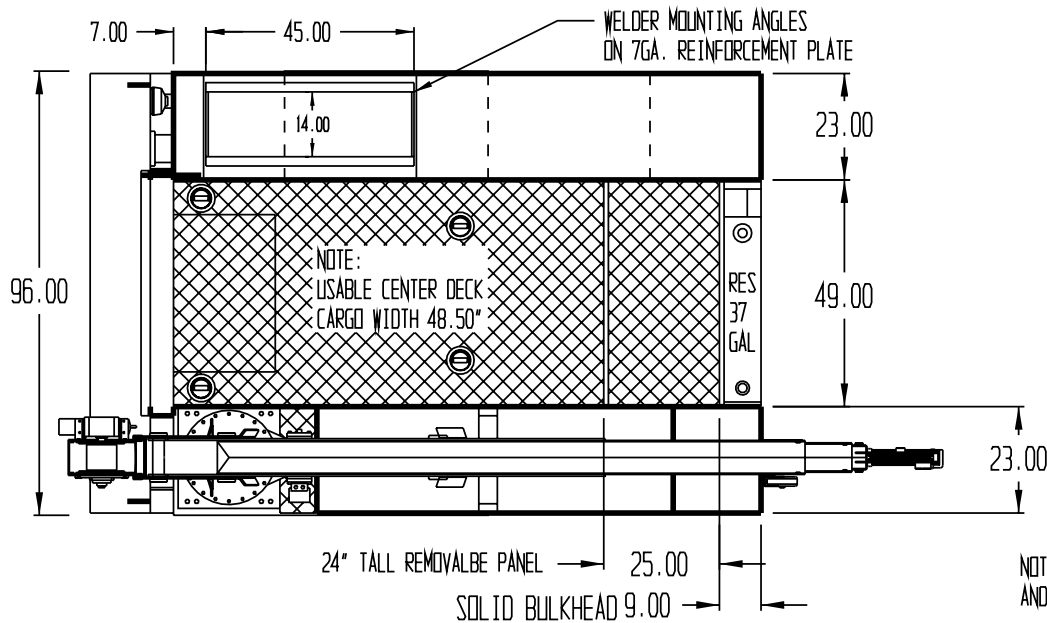
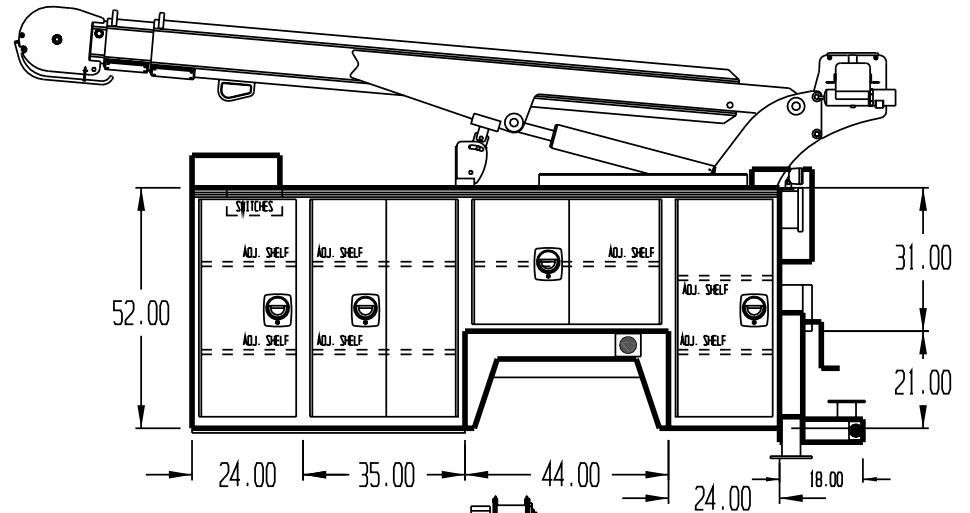
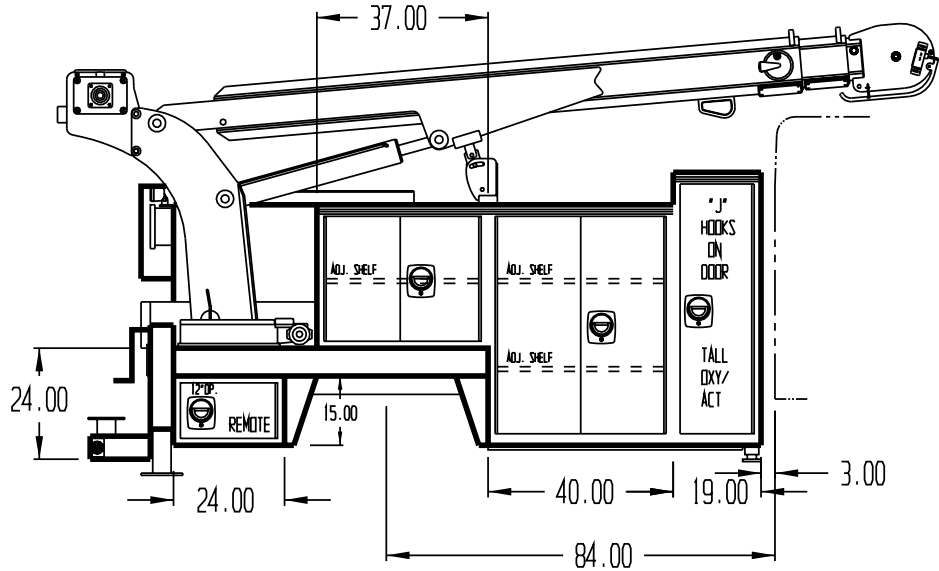


APPROVED BY: _____

DATE: _____

PAINT CODE: B8833EB WHITE

WELDER TYPE _____



PLEASE REPORT ANY ERRORS FOUND ON THIS PRINT

THIS PRINT CONTAINS CONFIDENTIAL INFORMATION AND IS THE SOLE PROPERTY OF MAINTAINER CORP. OF IOWA INC. AND IS NOT TO BE COPIED OR REPRODUCED WITHOUT THE EXPRESSED WRITTEN PERMISSION OF MAINTAINER CORP. OF IOWA INC.		PROPRIETARY DATA PROPERTY OF MAINTAINER CORPORATION OF IOWA, INC.	
DIMENSIONS ARE IN INCHES		MATERIAL:	
GENERAL TOLERANCES		SCALE: 1:32 SIZE: B	
BREAK ALL EDGES .01 X 45°	ANGULAR ± 1° .XX ± .03 .XXX ± .005	DRAWING NUMBER: Z331K-1	
MADE IN THE USA		DFTM. KJB DATE: 6-23-08	
800OTT-1-084		HOUSTON AUTOMOTIVE GROUP	

Copyright © 2001
Thaintainer
 Corporation of Iowa, Inc.
 P.O. Box 349 1701 S. 2nd Avenue
 Sheldon, Iowa 51201