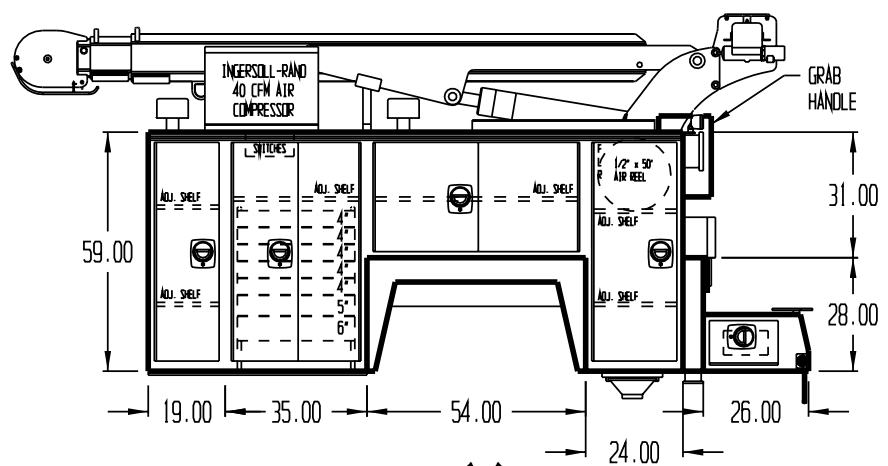
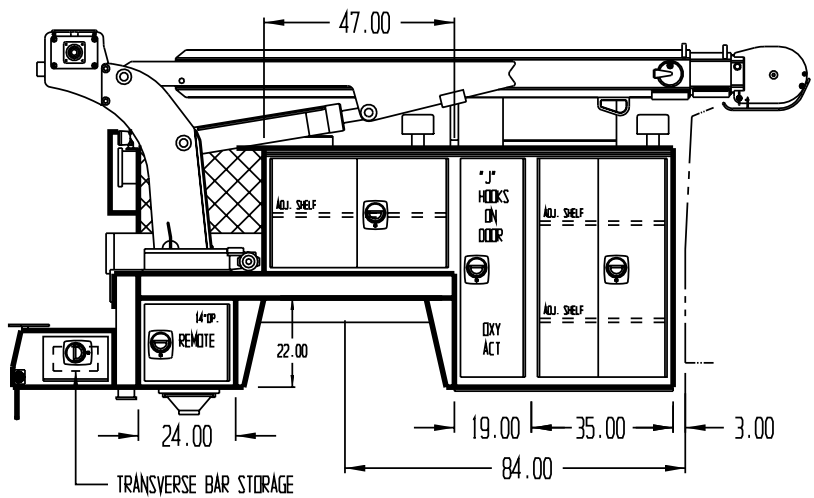


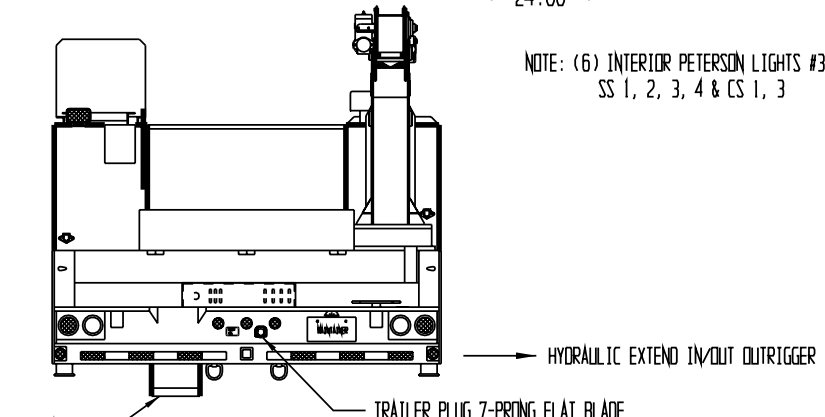
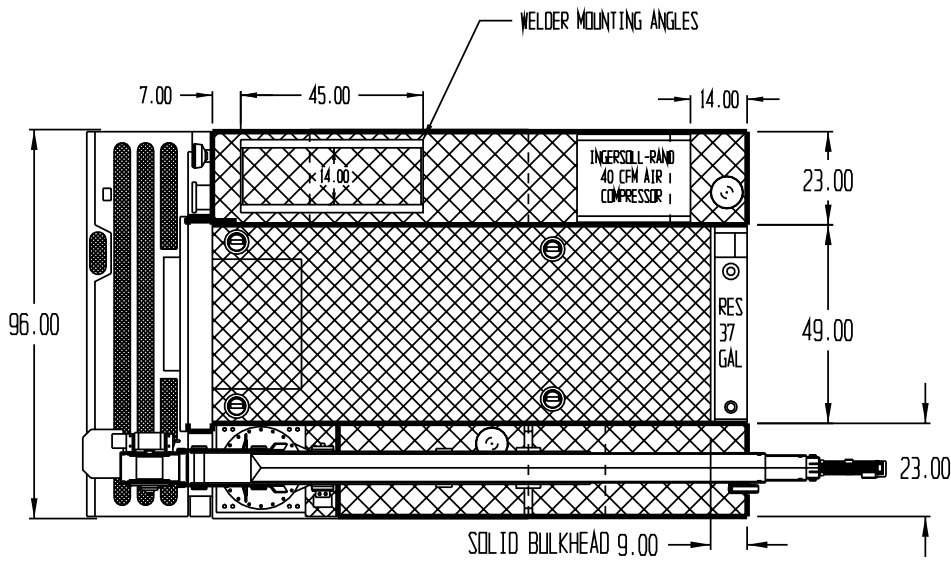
APPROVED BY _____

DATE _____

PAINT CODE _____



NOTE: (6) INTERIOR PETERSON LIGHTS #391
SS 1, 2, 3, 4 & CS 1, 3



NOTE: 20 GALLON AIR STORAGE
IN CHASSIS FRAME

NOTE: USABLE CENTER DECK
CARGO WIDTH 48.50"

NOTE: 8" SILLS &
4" X-MEMBERS

PLEASE REPORT ANY ERRORS FOUND ON THIS PRINT

THIS PRINT CONTAINS CONFIDENTIAL INFORMATION AND IS THE SOLE PROPERTY OF MAINTAINER CORP. OF IOWA INC. AND IS NOT TO BE COPIED OR REPRODUCED WITHOUT THE EXPRESSED WRITTEN PERMISSION OF MAINTAINER CORP. OF IOWA INC.		PROPRIETARY DATA PROPERTY OF MAINTAINER CORPORATION OF IOWA, INC.	
LIDS DIMENSIONS ARE IN INCHES GENERAL TOLERANCES		MATERIAL:	
BREAK ALL EDGES .01 X 45°	ANGULAR ± 1° .XX ± .03 .XXX ± .005	SCALE: 1:32	SIZE: B
LIDS RADI	LIDS ANGLES	DRAWING NUMBER: Z214	DFTM. KJB DATE: 2/9/08
MADE IN THE USA		100001T-2-084 HOUSTON AUTOMOTIVE GROUP	

