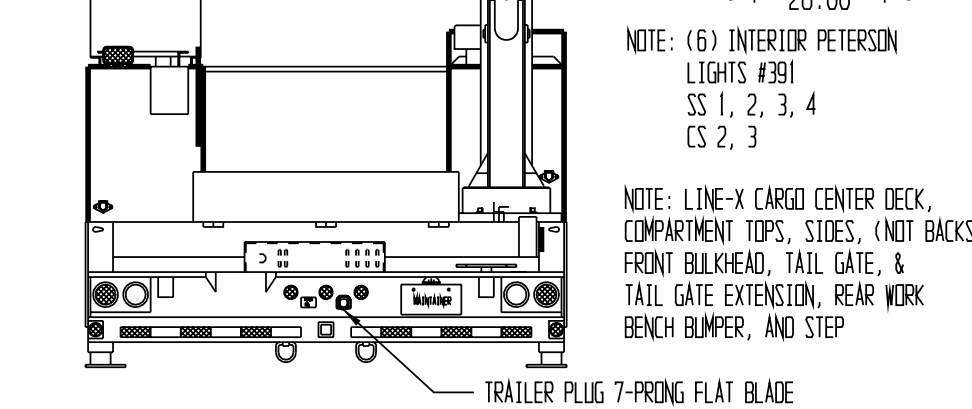
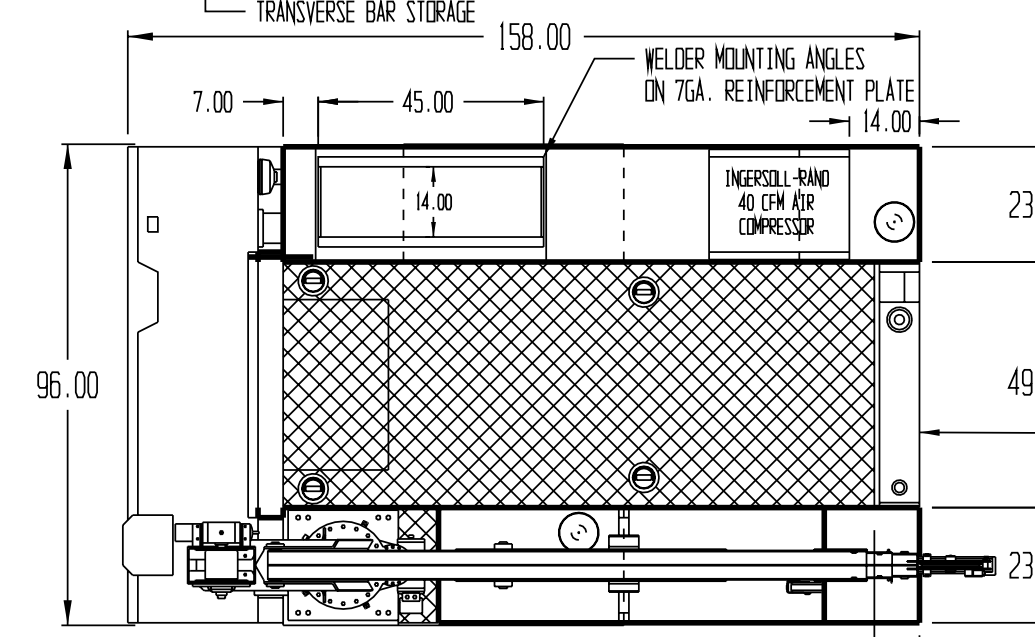
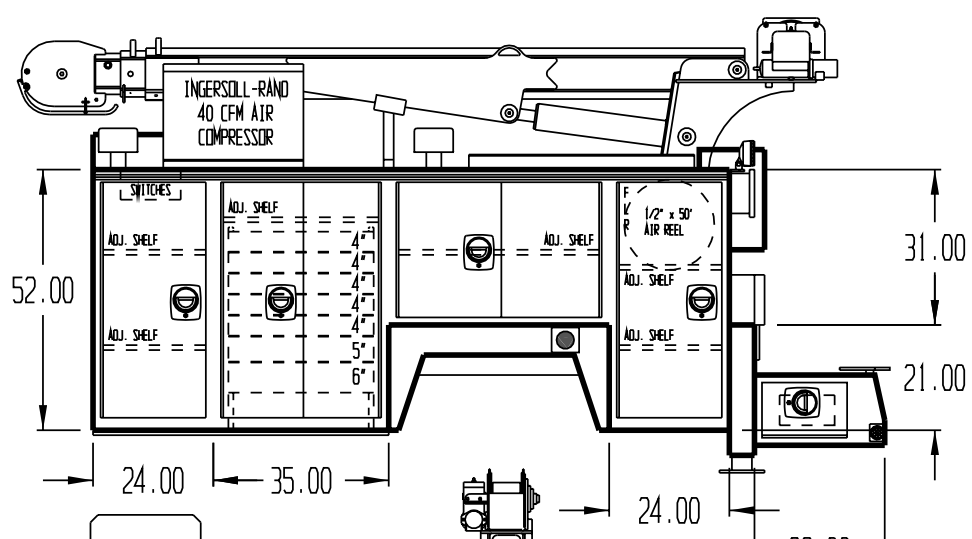
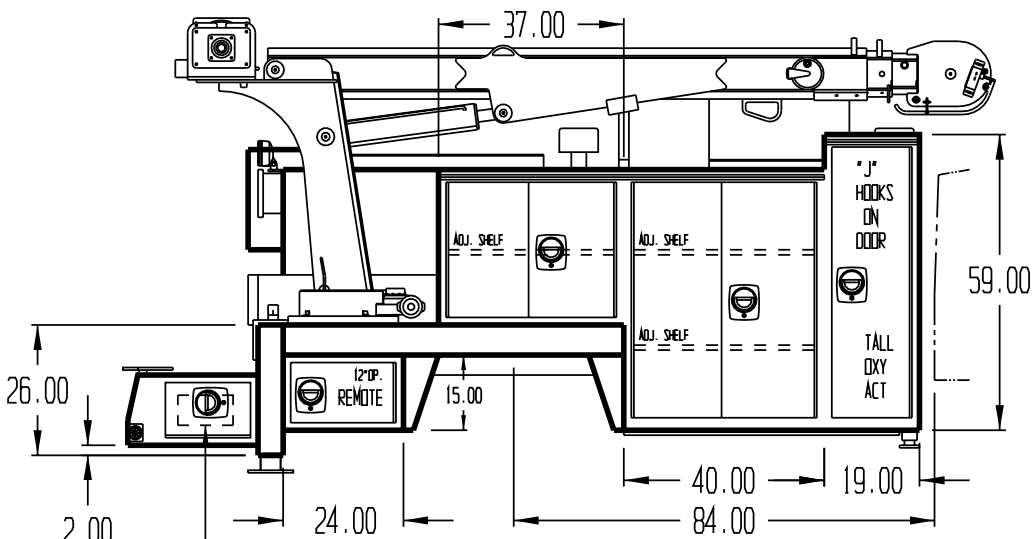


APPROVED BY _____

DATE _____

PAINT CODE _____



NOTE: 20 GALLON AIR STORAGE MOUNTED IN CHASSIS FRAME

SOLID BULKHEAD 9.00

NOTE: USABLE CENTER DECK CARGO WIDTH 48.50"

NOTE: 6" SILLS & 4" X-MEMBERS

PLEASE REPORT ANY ERRORS FOUND ON THIS PRINT

THIS PRINT CONTAINS CONFIDENTIAL INFORMATION AND IS THE SOLE PROPERTY OF MAINTAINER CORP. OF IOWA INC. AND IS NOT TO BE COPIED OR REPRODUCED WITHOUT THE EXPRESSED WRITTEN PERMISSION OF MAINTAINER CORP. OF IOWA INC.		PROPRIETARY DATA PROPERTY OF MAINTAINER CORPORATION OF IOWA, INC. COPYRIGHT © 2002	
LOS DIMENSIONS ARE IN INCHES GENERAL TOLERANCES		MATERIAL:	
BREAK ALL EDGES .01 X 45°	ANGULAR ± 1° .XX ± .03 .XXX ± .005	SCALE: 1:26	SIZE: B
LOS RADI	LOS ANGLES	DRAWING NUMBER: Z072K-2	DFTM. KJB DATE: 1/2/08
MADE IN THE USA		6000TT-1-084 HOUSTON AUTOMOTIVE / STOCK	