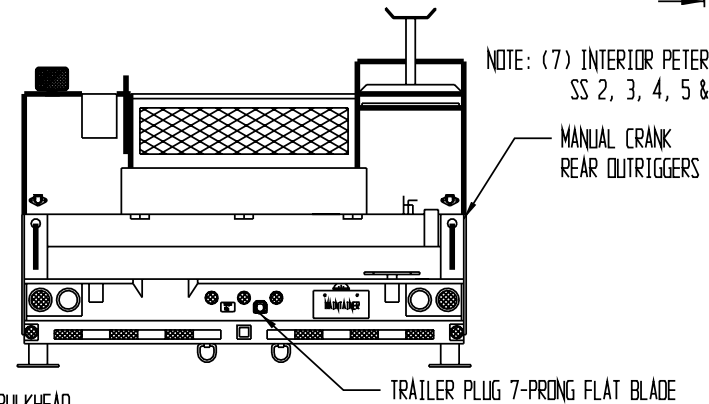
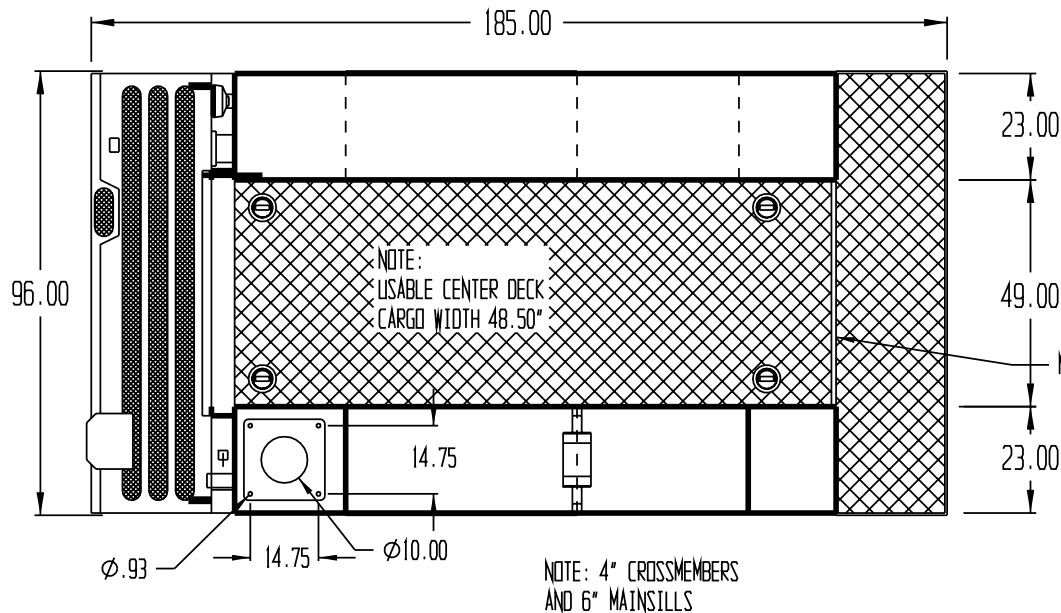
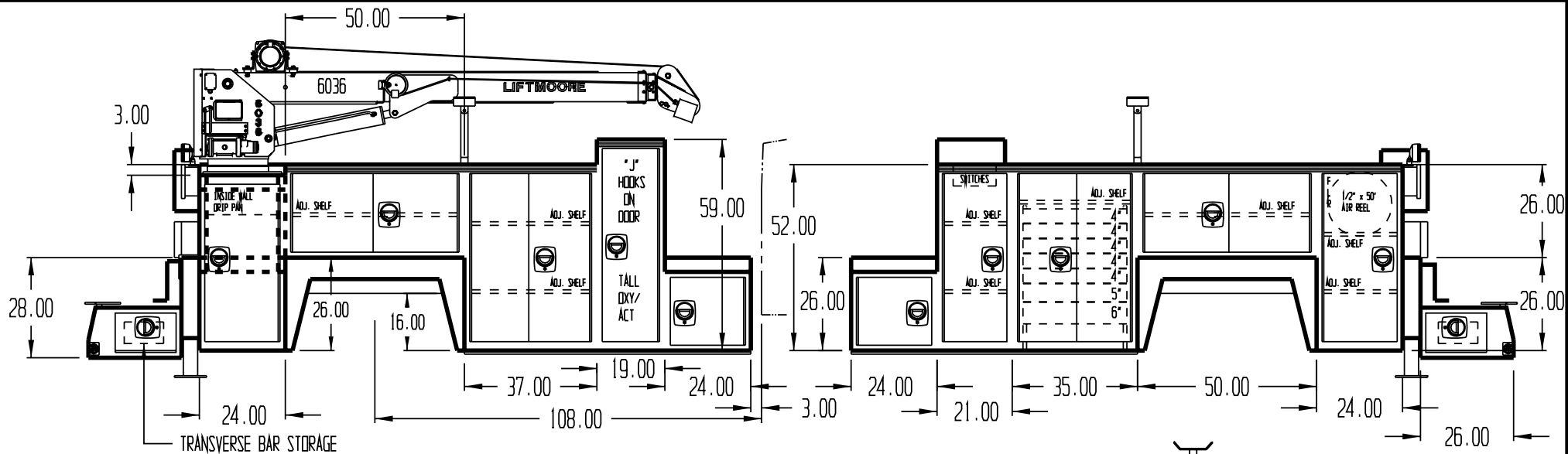


APPROVED BY: _____

DATE: _____

PAINT CODE: YO FORD WHITE



NOTE: (7) INTERIOR PETERSON LIGHTS #391 SS 2, 3, 4, 5 & CS 3, 4, 5

THIS PRINT CONTAINS CONFIDENTIAL INFORMATION AND IS THE SOLE PROPERTY OF MAINTAINER CORP. OF IOWA INC. AND IS NOT TO BE COPIED OR REPRODUCED WITHOUT THE EXPRESSED WRITTEN PERMISSION OF MAINTAINER CORP. OF IOWA INC.		PROPRIETARY DATA PROPERTY OF MAINTAINER CORPORATION OF IOWA, INC.	
DIMENSIONS ARE IN INCHES		MATERIAL:	
GENERAL TOLERANCES		SCALE: 1:32 SIZE: B	
BREAK ALL EDGES .01 X 45°	ANGULAR ± 1° .XX ± .03 .XXX ± .005	DRAWING NUMBER: Y379-5	
LOS RADII	LOS ANGLES	DFTM. KJB	DATE: 7-16-07
MADE IN THE USA		1-108 HOUSTON AUTOMOTIVE GROUP	

PLEASE REPORT ANY ERRORS FOUND ON THIS PRINT