

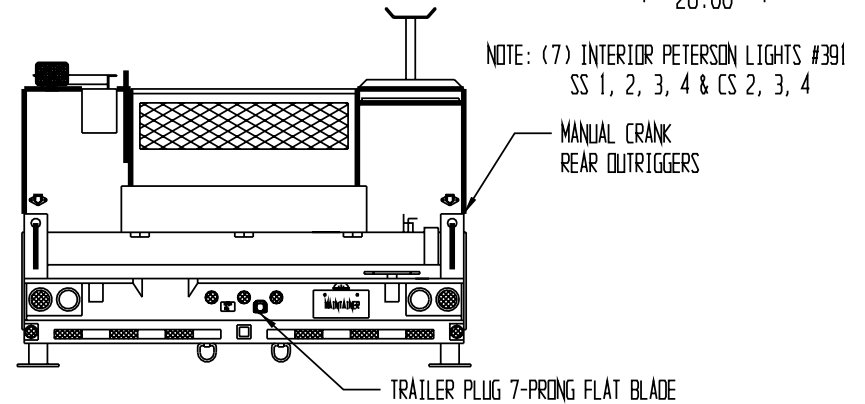
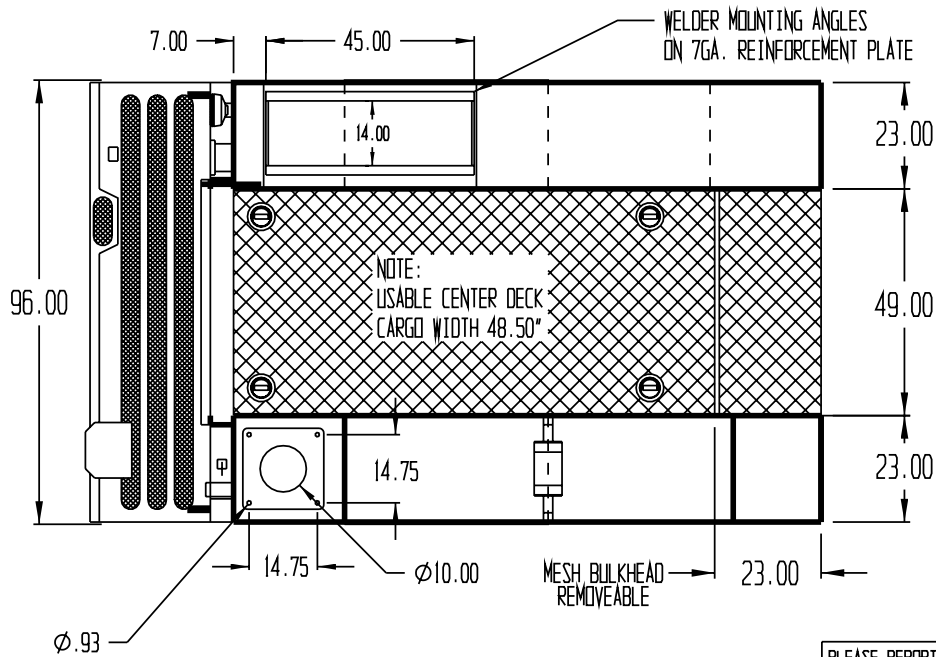
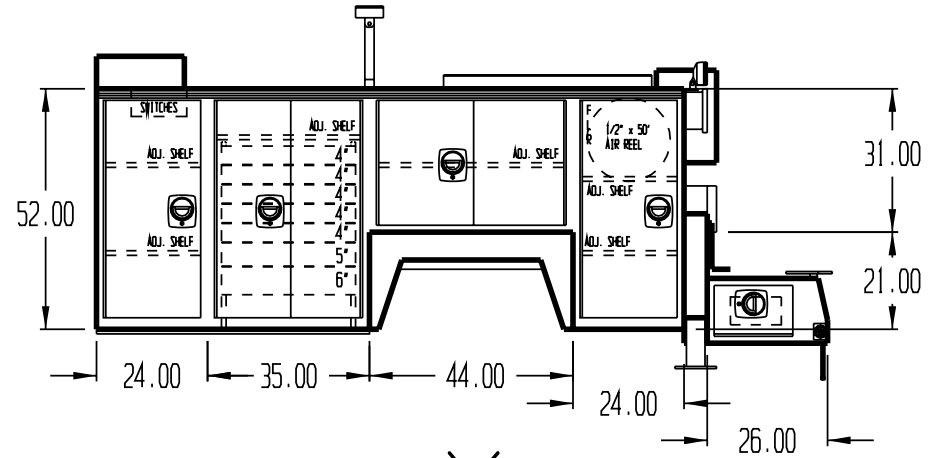
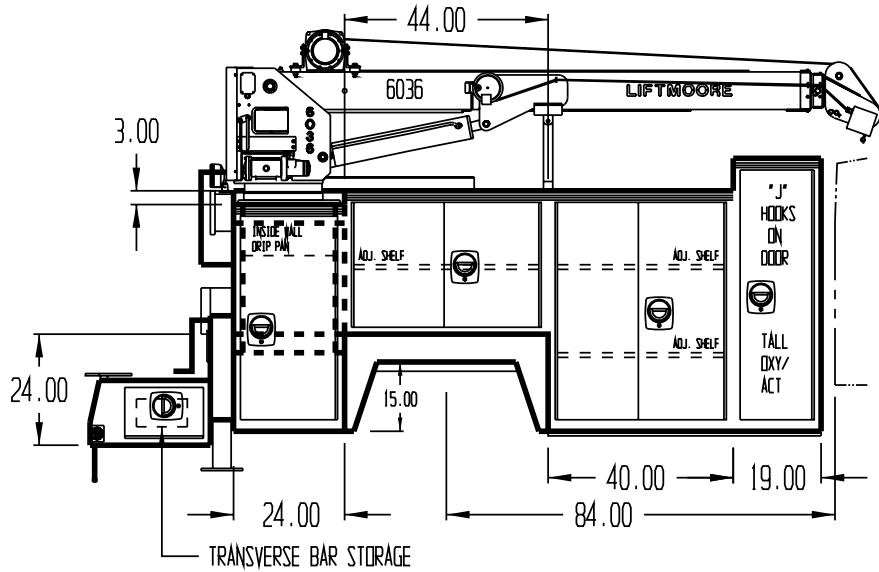
APPROVED BY: \_\_\_\_\_

DATE: \_\_\_\_\_

PAINT CODE: 12U GM WHITE \_\_\_\_\_

WELDER TYPE \_\_\_\_\_

NOTE: 4 x 4 x 1/2 TUBE MAIN SILLS



PLEASE REPORT ANY ERRORS FOUND ON THIS PRINT

THIS PRINT CONTAINS CONFIDENTIAL INFORMATION AND IS THE SOLE PROPERTY OF MAINTAINER CORP. OF IOWA INC. AND IS NOT TO BE COPIED OR REPRODUCED WITHOUT THE EXPRESSED WRITTEN PERMISSION OF MAINTAINER CORP. OF IOWA INC.		PROPRIETARY DATA PROPERTY OF MAINTAINER CORPORATION OF IOWA, INC.	
DIMENSIONS ARE IN INCHES		MATERIAL:	
GENERAL TOLERANCES		SCALE: 1:32 SIZE: B	
BREAK ALL EDGES .01 X 45°	ANGULAR ± 1° .XX ± .03 .XXX ± .005	DRAWING NUMBER: Y378-3	
LOS RADI	LOS ANGLES	DFTM. KJB DATE: 7-16-07	
MADE IN THE USA		1-084 HOUSTON AUTOMOTIVE GROUP	

**Copyright © 2001**  
**Thaintainer**  
 Corporation of Iowa, Inc.  
 P.O. Box 349 1701 S. 2nd Avenue  
 Sheldon, Iowa 51201