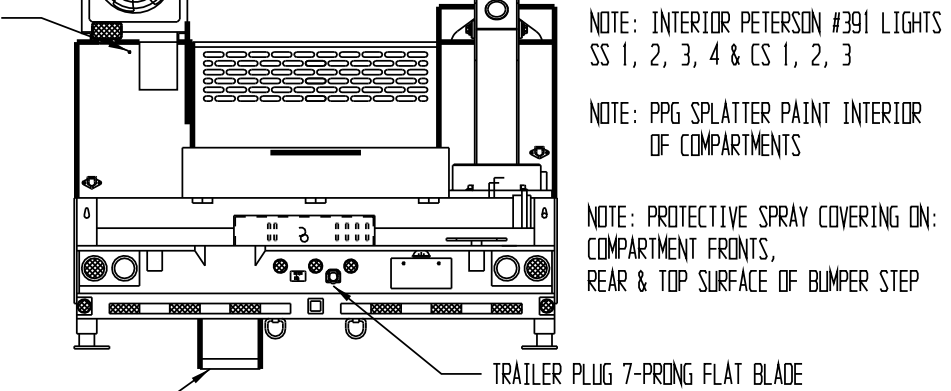
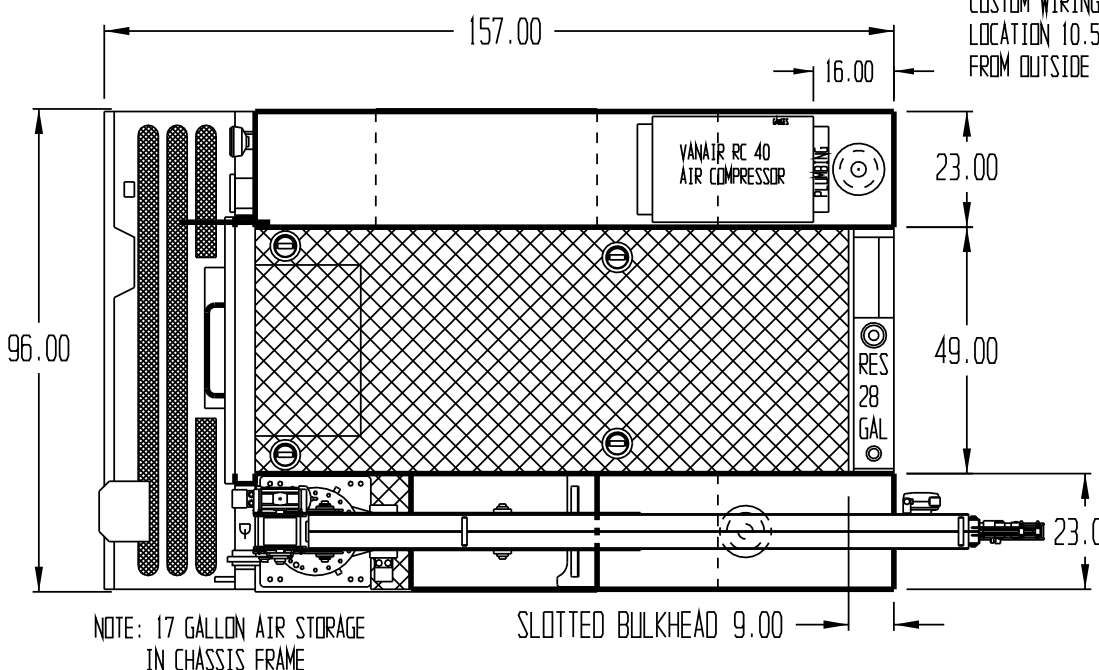
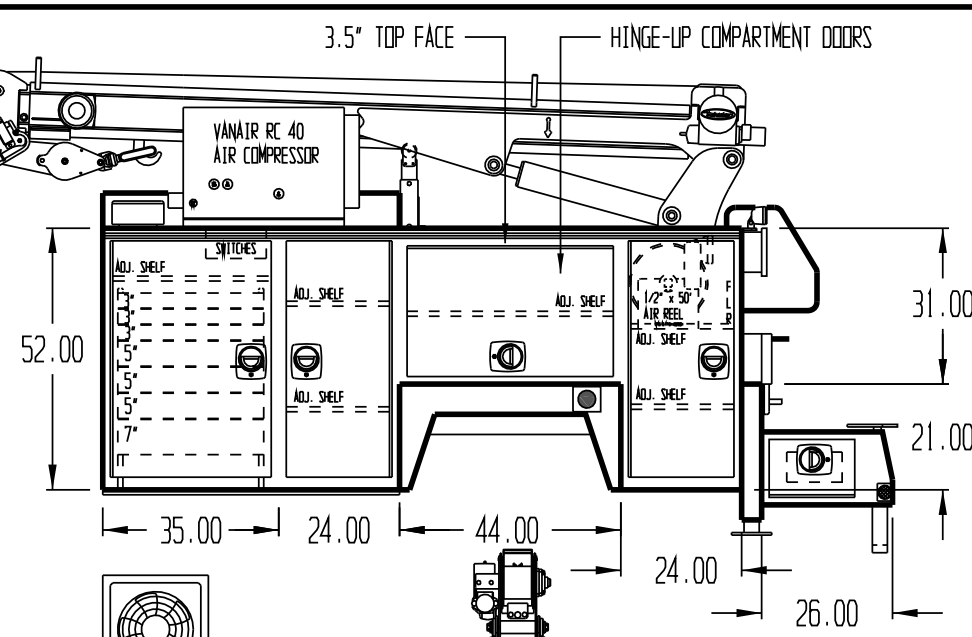
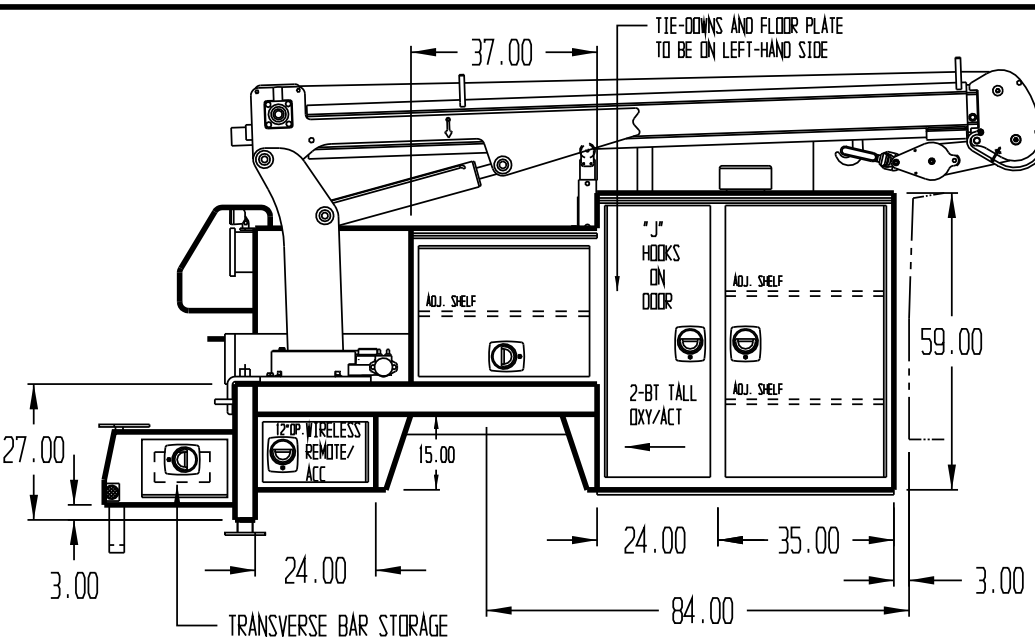


APPROVED BY \_\_\_\_\_

DATE \_\_\_\_\_

PAINT CODE \_\_\_\_\_

PW7 BRIGHT WHITE



NOTE: INTERIOR PETERSON #391 LIGHTS SS 1, 2, 3, 4 & CS 1, 2, 3

NOTE: PPG SPLATTER PAINT INTERIOR OF COMPARTMENTS

NOTE: PROTECTIVE SPRAY COVERING ON: COMPARTMENT FRONTS, REAR & TOP SURFACE OF BUMPER STEP

BOLT-ON STEP

NOTE: USABLE CENTER DECK CARGO WIDTH 48.50"

NOTE: 10" TALL SUBFRAME WITH FORMED CROSS MEMBER ANGLES

|  |  |                             |  |   |  |   |  |
|--|--|-----------------------------|--|---|--|---|--|
| THIS PRINT CONTAINS CONFIDENTIAL INFORMATION AND IS THE SOLE PROPERTY OF MAINTAINER CORP. OF IOWA, INC. AND IS NOT TO BE COPIED OR REPRODUCED WITHOUT THE EXPRESSED WRITTEN PERMISSION OF MAINTAINER CORP. OF IOWA, INC. |  |                             |  | PROPRIETARY DATA PROPERTY OF MAINTAINER CORPORATION OF IOWA, INC. |  |   |  |
| LOS DIMENSIONS ARE IN INCHES<br>GENERAL TOLERANCES   |  |                             |  | MATERIAL:   |  |   |  |
| BREAK ALL EDGES<br>.01 X 45°   | ANGULAR ± 1°<br>.XX ± .03<br>.XXX ± .005 | SCALE: 1:26                 |  | SIZE: B   |  | <b>Traintainer</b><br>Corporation of Iowa, Inc.<br>P.O. Box 349 1701 S. 2nd Avenue<br>Sheldon, Iowa 51201 |  |
| LOS RADII  | LOS ANGLES                               | DRAWING NUMBER: HH333-HH342 |  | DFTM. LAG   |  | DATE: 9/19/16   |  |
| MADE IN THE USA  |  |                             |  | H6520TT-1-084 HAG / STOCK - DODGE RAM                             |  |   |  |

NOTE: 17 GALLON AIR STORAGE IN CHASSIS FRAME