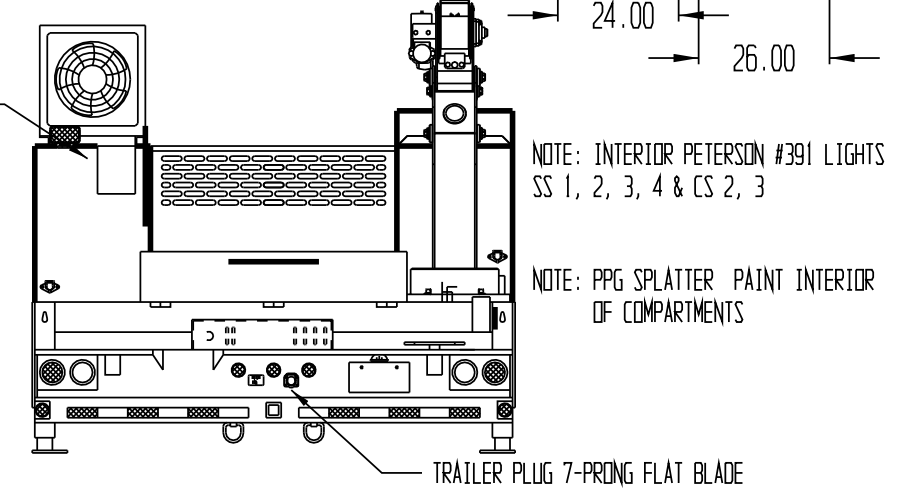
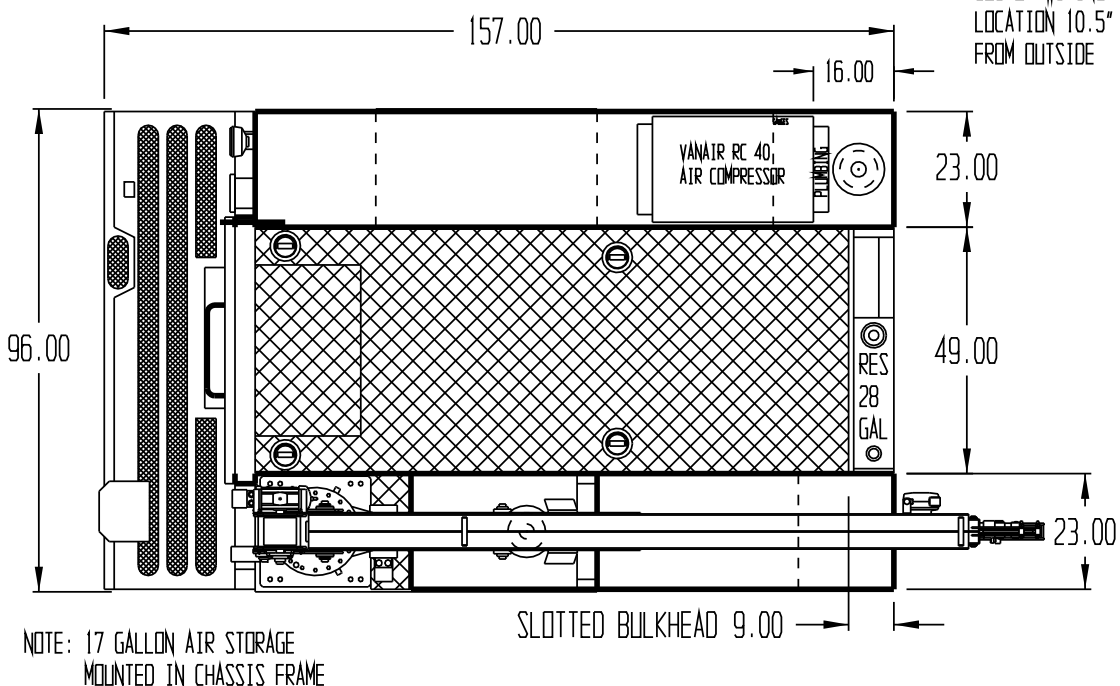
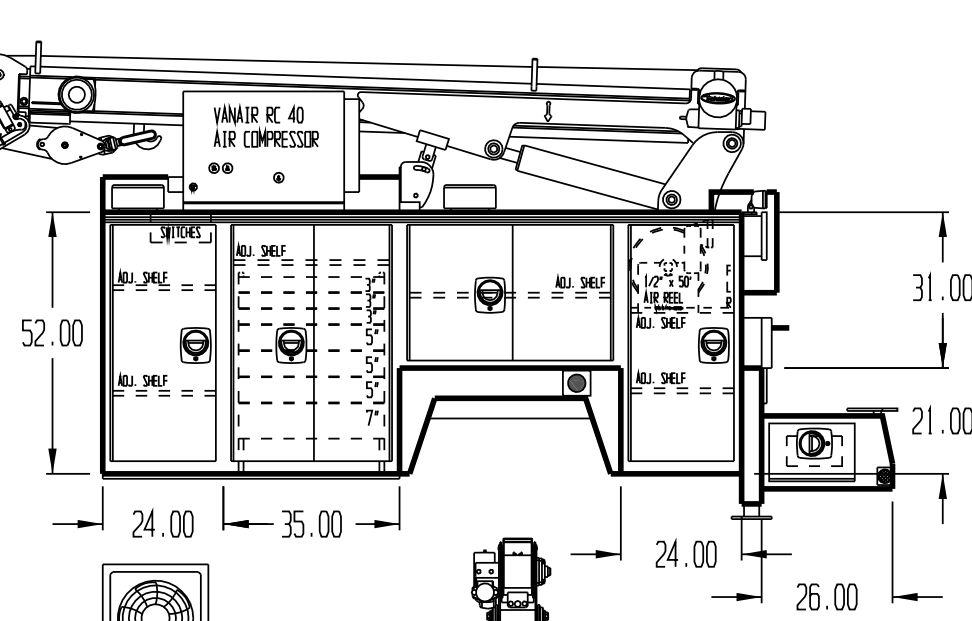
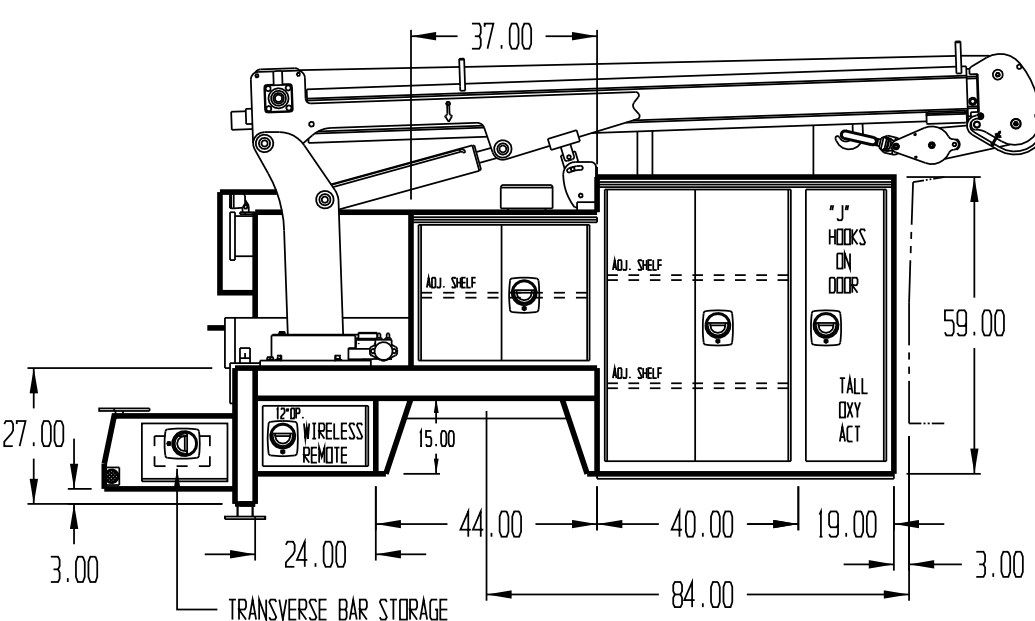


APPROVED BY _____

DATE _____

PAINT CODE _____

PW7 WHITE



NOTE: INTERIOR PETERSON #391 LIGHTS SS 1, 2, 3, 4 & CS 2, 3
 NOTE: PPG SPLATTER PAINT INTERIOR OF COMPARTMENTS

NOTE: 17 GALLON AIR STORAGE MOUNTED IN CHASSIS FRAME

NOTE: USABLE CENTER DECK CARGO WIDTH 48.50"
 NOTE: 10" TALL SUBFRAME WITH FORMED CROSS MEMBER ANGLES

THIS PRINT CONTAINS CONFIDENTIAL INFORMATION AND IS THE SOLE PROPERTY OF MAINTAINER CORP. OF IOWA INC. AND IS NOT TO BE COPIED OR REPRODUCED WITHOUT THE EXPRESSED WRITTEN PERMISSION OF MAINTAINER CORP. OF IOWA INC.				PROPRIETARY DATA PROPERTY OF MAINTAINER CORPORATION OF IOWA, INC. COPYRIGHT © 2002			
LOS DIMENSIONS ARE IN INCHES GENERAL TOLERANCES				MATERIAL:			
BREAK ALL EDGES .01 X 45°	ANGULAR ± 1° .XX ± .03 .XXX ± .005	SCALE: 1:26	SIZE: B			 P.O. Box 349 1701 S. 2nd Avenue Sheldon, Iowa 51201	
LOS RADII	LOS ANGLES	DRAWING NUMBER: DA156-DA158	DFTM. TJE	DATE: 9/18/12			
MADE IN THE USA				H6520TT-1-084 HAG / STOCK - RAM 5500			