

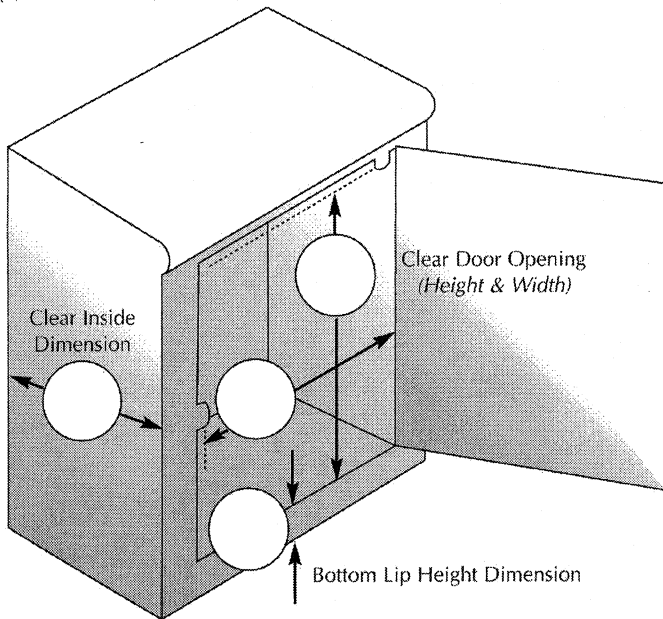


# HOW TO ORDER CUSTOM TOOL DRAWER UNITS

## Step #1

### Enter Clear Door Opening Dimensions

(Enter Dimensions on the Illustration shown below)



## Step #3

### Select Desired Options:

- Add Divider Set To Each Drawer
- Top Mounted Tray - Fixed Sides
- Top Mounted Tray - Adjustable Sides
- Drawer Face Color \_\_\_\_\_
- Side Panels & Tray Color \_\_\_\_\_

Sales Representative: \_\_\_\_\_

## CONTACT INFORMATION

Name \_\_\_\_\_  
 Company \_\_\_\_\_  
 Address \_\_\_\_\_  
 City \_\_\_\_\_ State \_\_\_\_\_ Zip \_\_\_\_\_  
 Phone (\_\_\_\_) \_\_\_\_\_ Fax (\_\_\_\_) \_\_\_\_\_  
 Email \_\_\_\_\_

## Step #2

### Enter Drawer Height Sizes

Available Drawer Heights: 3", 4", 5", 6", 7", 8", 9", 10", 11", 12"

(Enter the individual drawer heights in spaces shown below)

<b>1/2" Clearance</b>
Drawer Height: _____
Drawer Height: _____
Drawer Height: _____
Drawer Height: _____
Drawer Height: _____
Drawer Height: _____
Drawer Height: _____
Drawer Height: _____
Drawer Height: _____
Drawer Height: _____
<b>1/2" Clearance</b>

## Step #4

Total of Drawer Heights .....

Top Required Clearance .....

(.500" Minimum)  
(1.50" Minimum w/top tray)

Bottom Required Clearance .....

(.500" Minimum plus Bottom Lip Height  
Dimension from step 1 above)

Grand Total\* .....

\*Must Be Less Than Clear Door Opening Height In Step #1

\*\*Unit width will be 1.00" (.500" each side) less  
than Clear Door Opening width.

Desired Quantity .....