

RECIPROCATING AIR COMPRESSOR

**THE
BA435**



PROVEN PERFORMANCE AND RELIABILITY
FOR THE MECHANIC'S TRUCK AND TIRE SERVICE INDUSTRY!

BOSS [®] *The Difference is Revolutionary™*

PROVEN PERFORMANCE AND RELIABILITY FOR THE MECHANIC'S TRUCK AND TIRE SERVICE INDUSTRY!

COMPRESSOR

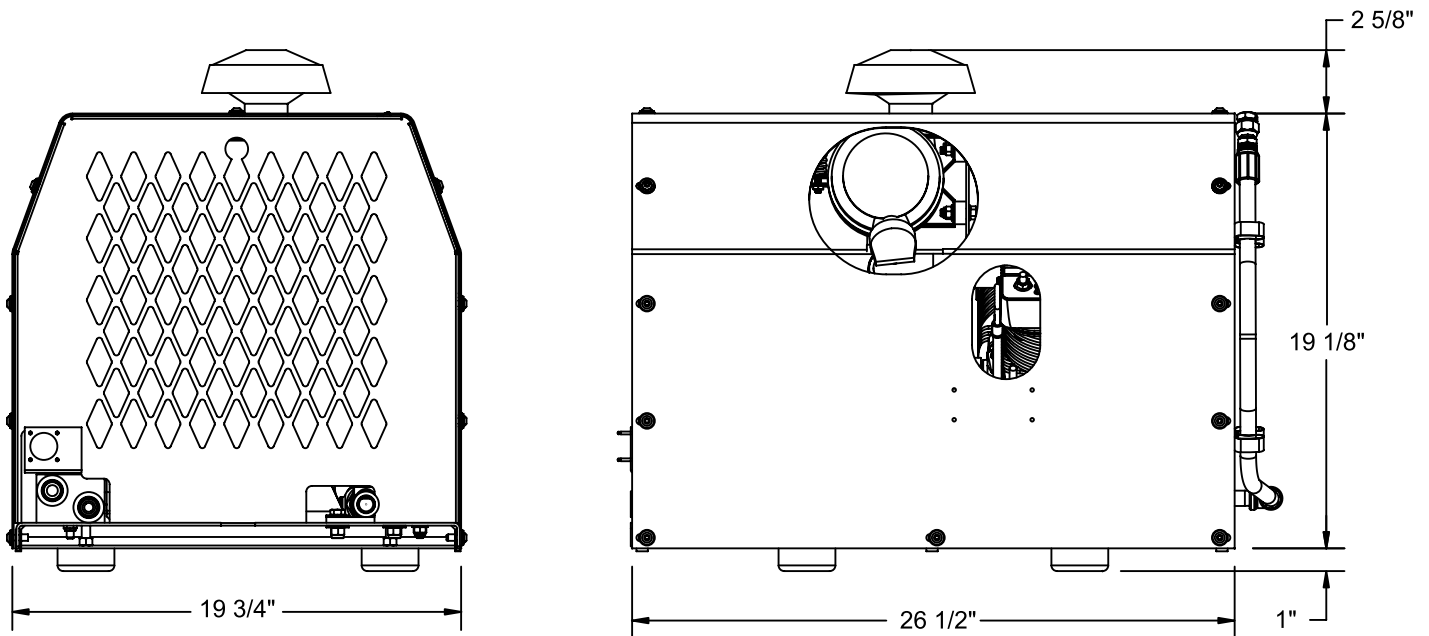
Type Single-stage, 4-cylinder piston
Delivery 35 CFM @ 100 PSI (150 PSI max.)
. @ 1,400 RPM
Power Source: Hydraulic motor
Bore: 2 5/8"
Stroke: 2 1/2"
Displacement: 44 CFM**
Cooling: Air
Fan Diameter: 14 1/8"
Hydraulic Flow @ 1,400 RPM: 10 GPM
Hydraulic PSI: 1,850 PSI (2,400 PSI max.)

Hydraulic System: Open center
Reservoir requirement: 20 gallon (recommended)
Lubrication: Oil pump
Oil Capacity: 1 1/3 qts.
Electrical: 12VDC standard (24VDC optional)
Hydraulic System Cooler: Included as standard.
. (compressor flow cooling only)
Dimensions: 26 1/2"L x 19 1/8"H* x 19 3/4"W
Enclosure: Powder-coated aluminum
Weight: 200 lbs (Dry)
Warranty: 2 years

*Add 2 5/8" to height for air filter cap.

**At 1,400 RPM – 100 PSI.

BOSS BA435 Dimensions



Specifications Subject to Change Without Notice.



BOSS INDUSTRIES, INC.

1761 Genesis Drive LaPorte, IN 46350

Voice: 219.324.7776 • 1.800.635.6587

Fax: 219.324.7470

Electronic: www.bossair.com • email: boss@bossair.com