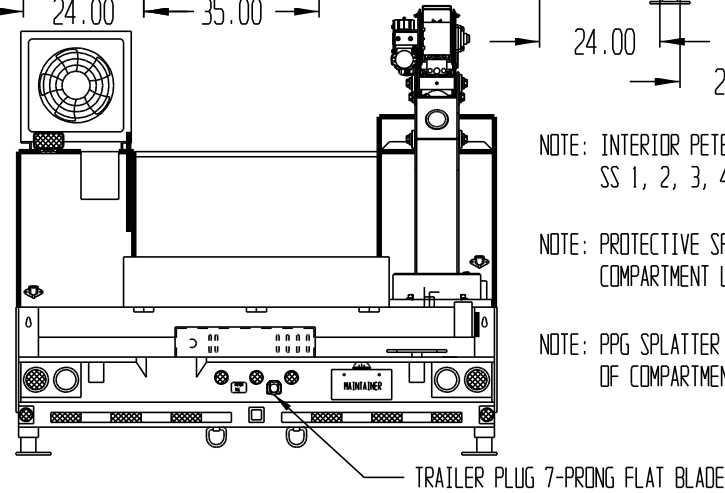
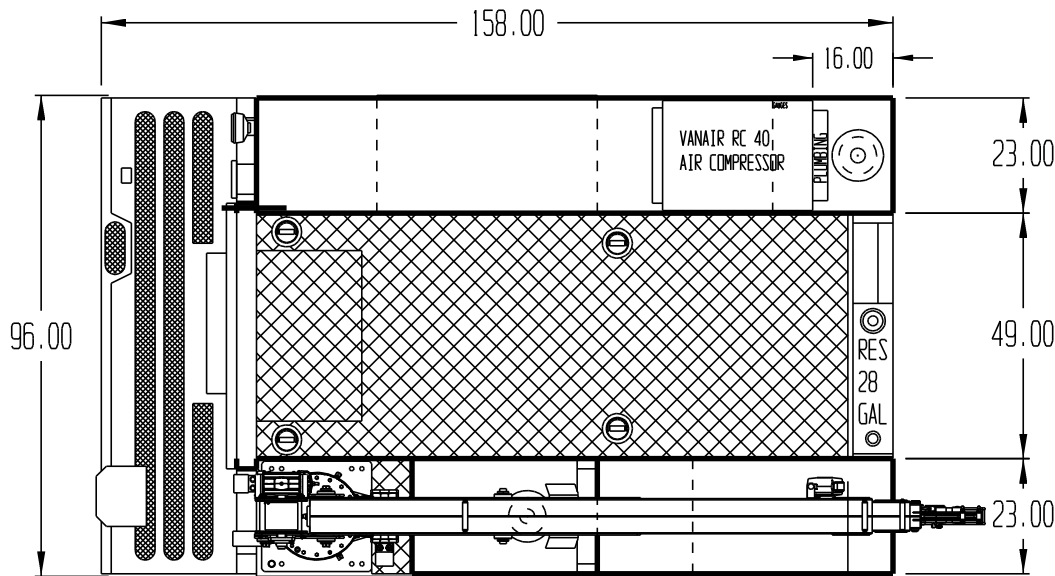
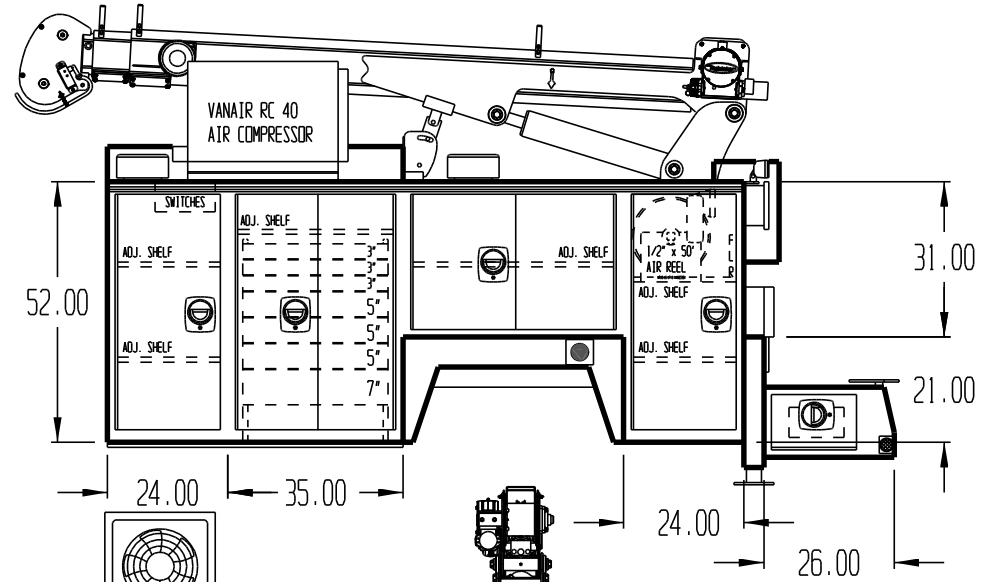
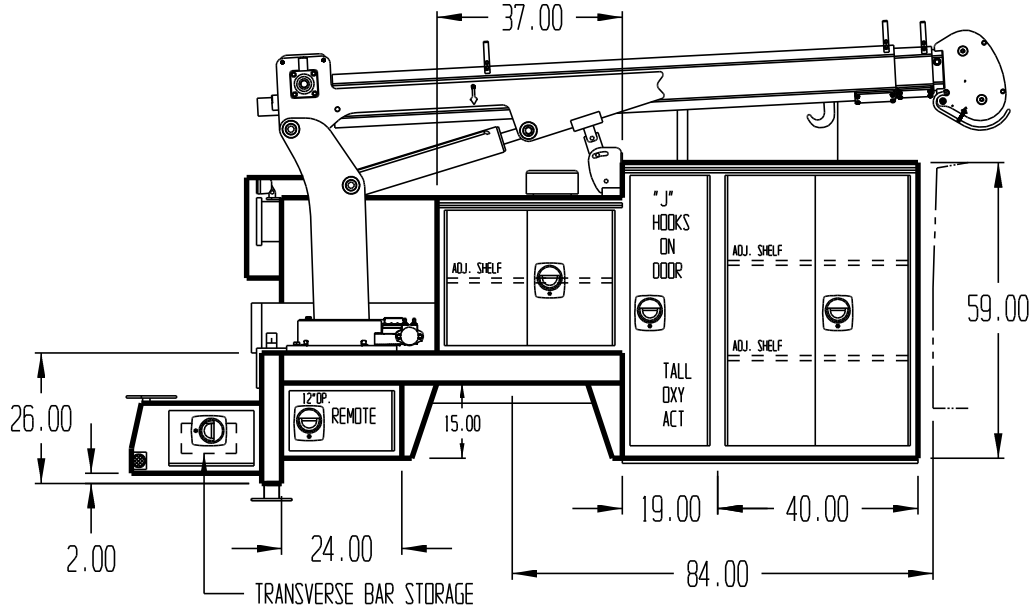


APPROVED BY _____

DATE _____

PAINT CODE _____

PW7 WHITE



- NOTE: INTERIOR PETERSON #391 LIGHTS SS 1, 2, 3, 4 & CS 1, 3
- NOTE: PROTECTIVE SPRAY COVERING ON: COMPARTMENT LOWER FRONTS
- NOTE: PPG SPLATTER PAINT INTERIOR OF COMPARTMENTS

NOTE: 20 GALLON AIR STORAGE MOUNTED IN CHASSIS FRAME

SOLID BULKHEAD 9.00

NOTE: USABLE CENTER DECK CARGO WIDTH 48.50"

NOTE: 10" TALL SUBFRAME WITH FORMED CROSS MEMBER ANGLES

THIS PRINT CONTAINS CONFIDENTIAL INFORMATION AND IS THE SOLE PROPERTY OF MAINTAINER CORP. OF IOWA INC. AND IS NOT TO BE COPIED OR REPRODUCED WITHOUT THE EXPRESSED WRITTEN PERMISSION OF MAINTAINER CORP. OF IOWA INC.		PROPRIETARY DATA PROPERTY OF MAINTAINER CORPORATION OF IOWA, INC.	
UDS DIMENSIONS ARE IN INCHES GENERAL TOLERANCES		COPYRIGHT © 2002	
BREAK ALL EDGES .01 X 45°	ANGULAR ± 1° .XX ± .03 .XXX ± .005	MATERIAL:	Maintainer Corporation of Iowa, Inc. P.O. Box 349 1701 S. 2nd Avenue Sheldon, Iowa 51201
UDS RADI1	UDS ANGLES	SCALE: 1:26	
MADE IN THE USA		DRAWING NUMBER: AC195-198 & AC212-214	SIZE: B
		H7024TT-1-084	OFTM. KLJ DATE: 6-15-11
		HOUSTON AUTO / STOCK	