

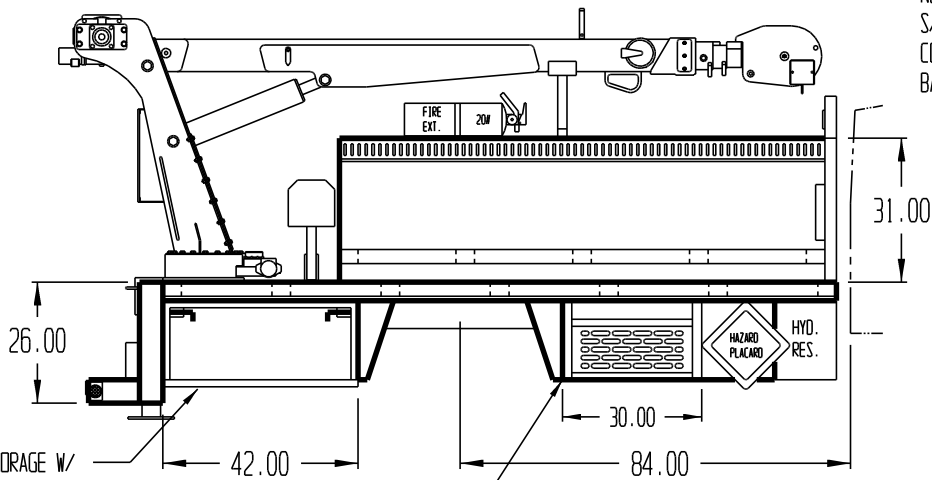
APPROVED BY: _____

DATE: _____

PAINT CODE: _____

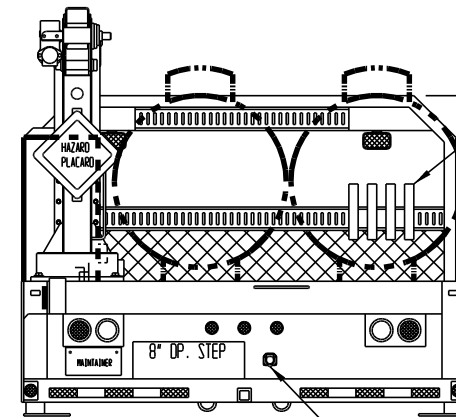
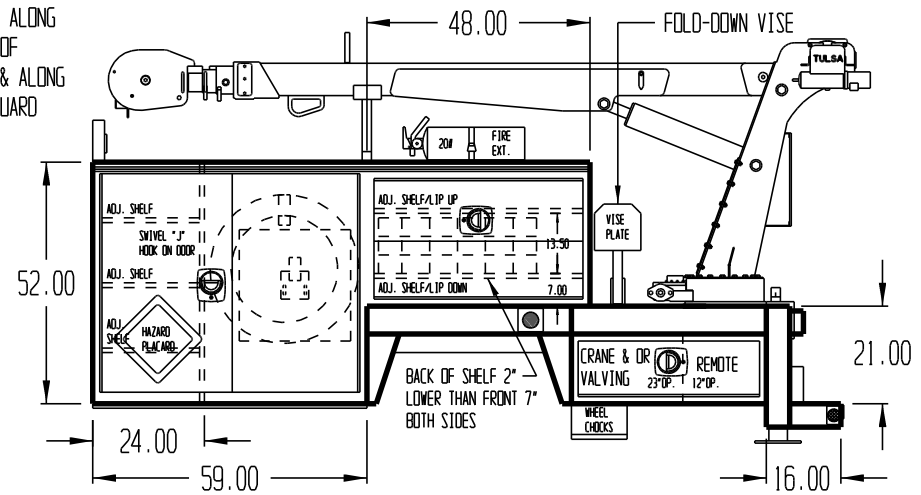
Z1 OXFORD WHITE

NOTE: E-TRACK ALONG S/S BACK TOP OF COMPARTMENTS & ALONG BACK OF CAB GUARD



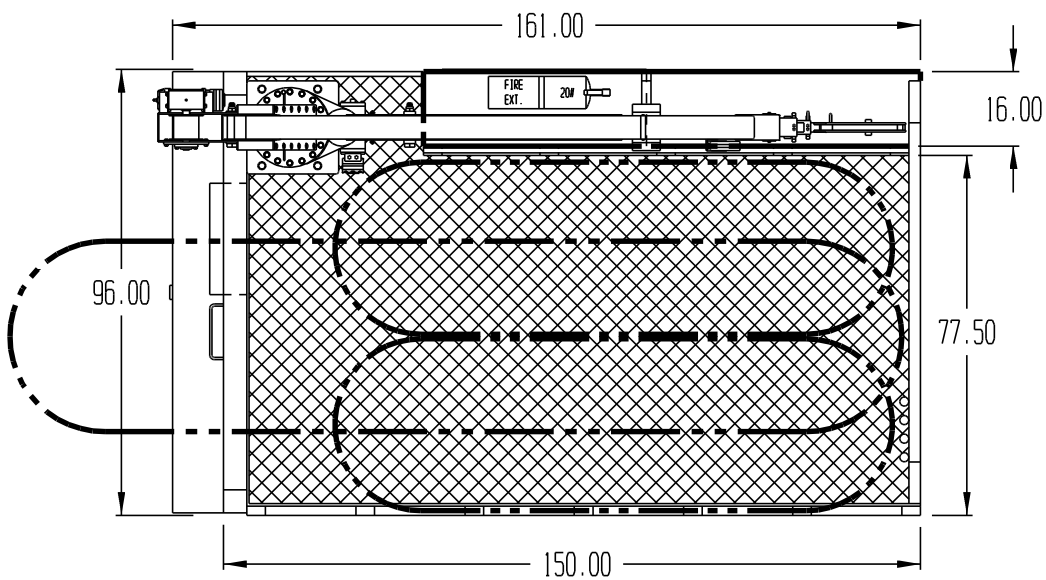
NOTE: STAKE POCKET TIE DOWNS ALONG C/S RAIL AND ALONG BACK OF S/S COMPARTMENTS, 4" OFF THE DECK FLOOR

BLOCK STORAGE W/ ROLL-OUT REMOVABLE BASKET W/ SWING DOWN SIDE



NOTE: PROTECTIVE SPRAY COVERING ON: CARGO DECK, COMPARTMENT TOPS, SIDES (NOT BACKS) FRONT CAB GUARD, REAR STEP BUMPER & WHEEL CHECK HOLDER SEE TOM E. & TOM W. FOR FINAL APPROVAL

NOTE: INTERIOR STRIP LIGHTS (2) SS 1 & (1) SS 2 ALONG TOP



NOTE: PLASTIC TUBING STORAGE OFF HEAVY DUTY HOOK ON BACK WALL & COPPER TUBING STORAGE (2) BOXES OFF OODR

THIS PRINT CONTAINS CONFIDENTIAL INFORMATION AND IS THE SOLE PROPERTY OF MAINTAINER CORP. OF IOWA INC. AND IS NOT TO BE COPIED OR REPRODUCED WITHOUT THE EXPRESSED WRITTEN PERMISSION OF MAINTAINER CORP. OF IOWA INC.		PROPRIETARY DATA PROPERTY OF MAINTAINER CORPORATION OF IOWA, INC.	
UDS DIMENSIONS ARE IN INCHES GENERAL TOLERANCES		COPYRIGHT © 2001	
BREAK ALL EDGES .01 X 45°	ANGULAR ± 1° .XX ± .03 .XXX ± .005	MATERIAL:	
UDS RADII	UDS ANGLES	SCALE: 1:28	SIZE: B
MADE IN THE USA		DRAWING NUMBER: ABO48-2	DFTM. KLJ DATE: 2/10/10
PLEASE REPORT ANY ERRORS FOUND ON THIS PRINT		3220TT-1-084 PROPANE UNIT	

Maintainer
 Corporation of Iowa, Inc.
 P.O. Box 349 1701 S. 2nd Avenue
 Sheldon, Iowa 51201