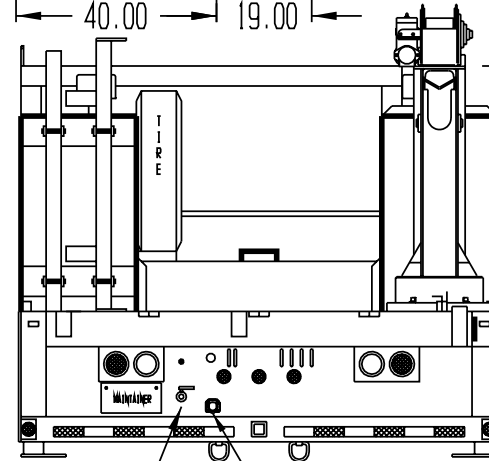
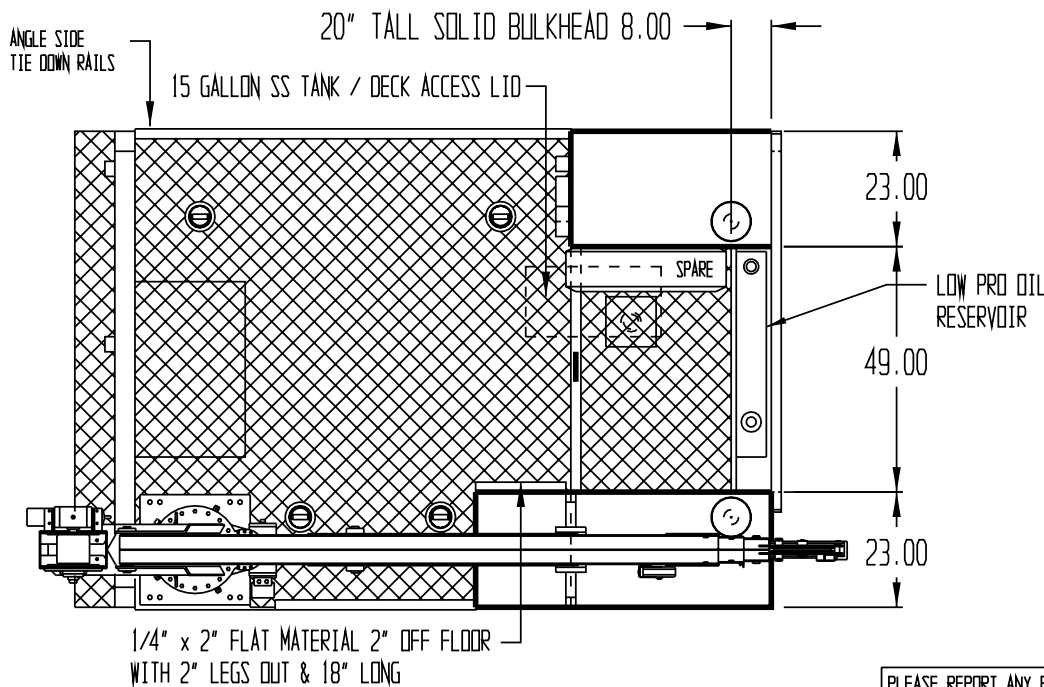
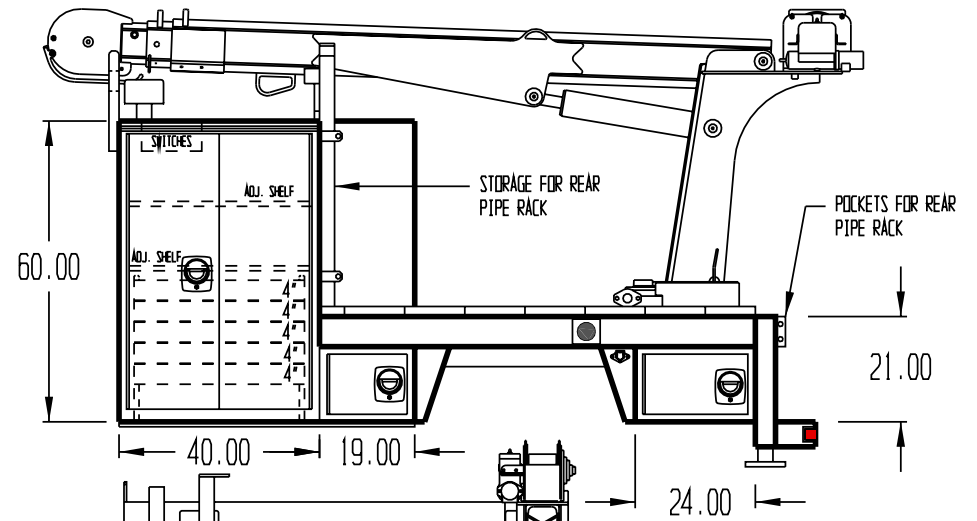
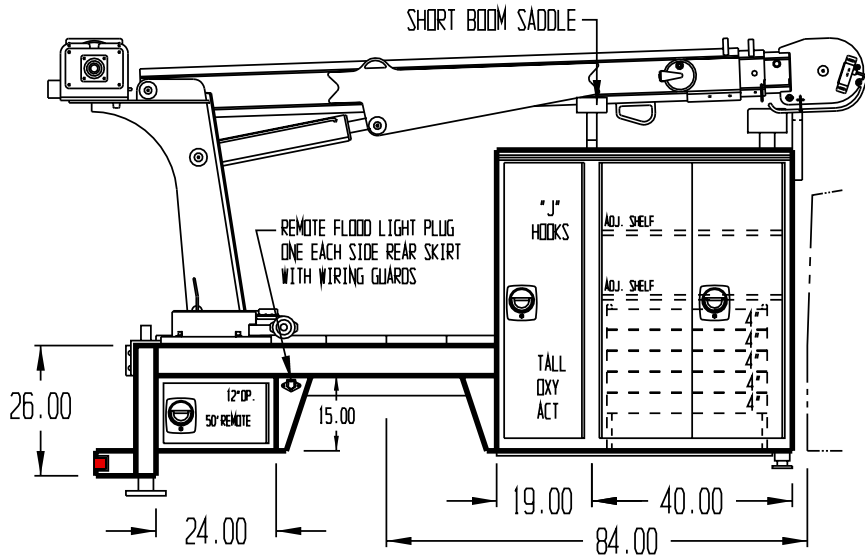


APPROVED BY: \_\_\_\_\_

DATE: \_\_\_\_\_

PAINT CODE: \_\_\_\_\_



NOTE: INTERIOR LIGHTS  
 (2) 36" SS & CS 1  
 (3) 6" ROUND, SS 2, 3 & CS 3

NOTE: PROTECTIVE SPRAY COVERING ON:  
 CARGO CENTER DECK, LOWER FRONTS,  
 REAR STEP BUMPER

PLEASE REPORT ANY ERRORS FOUND ON THIS PRINT

THIS PRINT CONTAINS CONFIDENTIAL INFORMATION AND IS THE SOLE PROPERTY OF MAINTAINER CORP. OF IOWA INC. AND IS NOT TO BE COPIED OR REPRODUCED WITHOUT THE EXPRESSED WRITTEN PERMISSION OF MAINTAINER CORP. OF IOWA INC.

PROPRIETARY DATA PROPERTY OF MAINTAINER CORPORATION OF IOWA, INC.  
 COPYRIGHT © 1995

**Maintainer**  
 Corporation of Iowa, Inc.  
 P.O. Box 349 1701 S. 2nd Avenue  
 Sheldon, Iowa 51201

LOD DIMENSIONS ARE IN INCHES  
 GENERAL TOLERANCES

BREAK ALL EDGES .01 X 45°	ANGULAR ± 1° .XX ± .03 .XXX ± .005
LOD RADI	LOD ANGLES

MATERIAL: \_\_\_\_\_

SCALE: 1:26 SIZE: B

DRAWING NUMBER: AA143

DFTM. KJB DATE: 4/21/09

MADE IN THE USA

MTG-6-1-084 HOUSTON AUTOMOTIVE GROUP