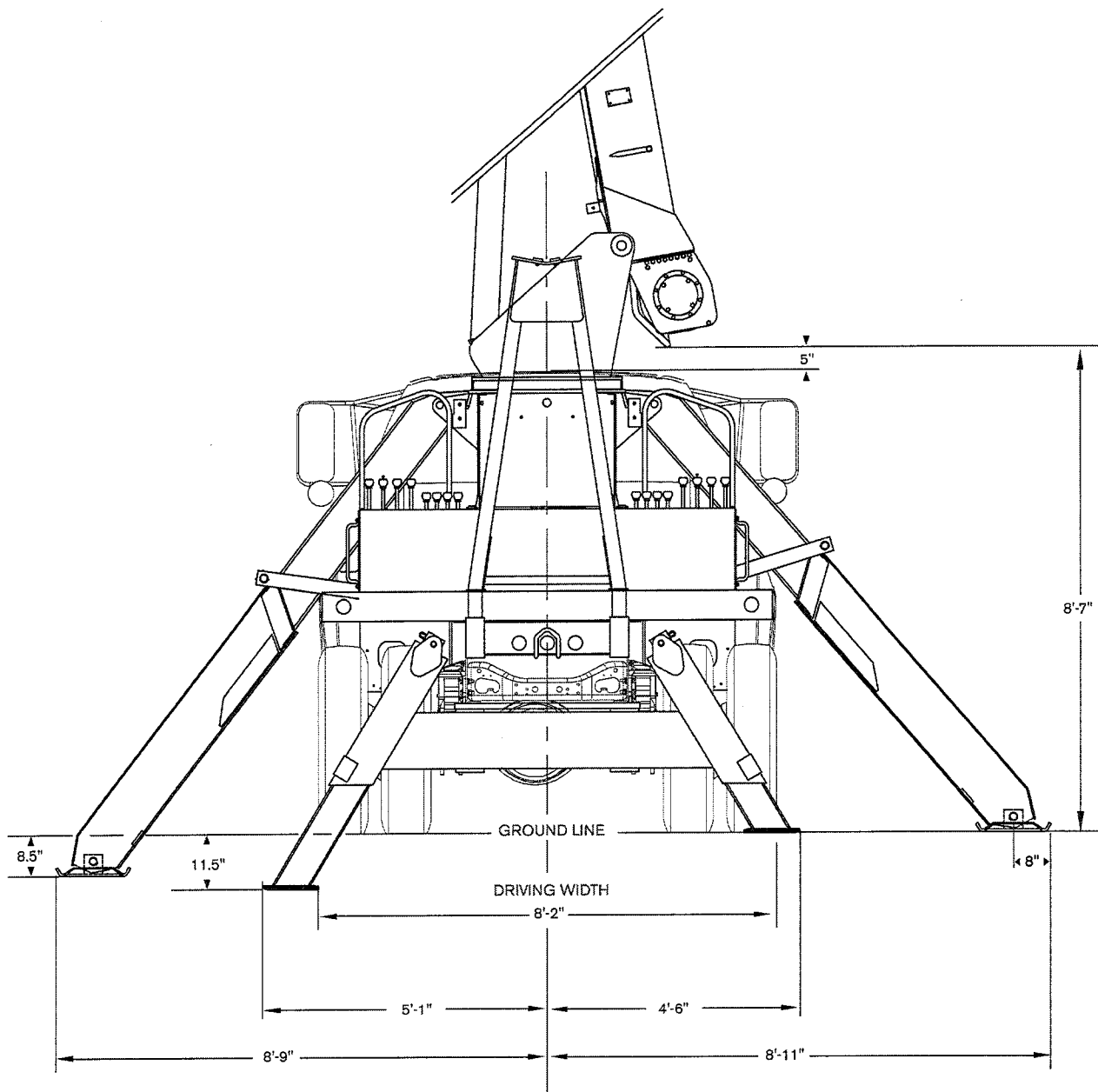


DIMENSIONS

BT 2057

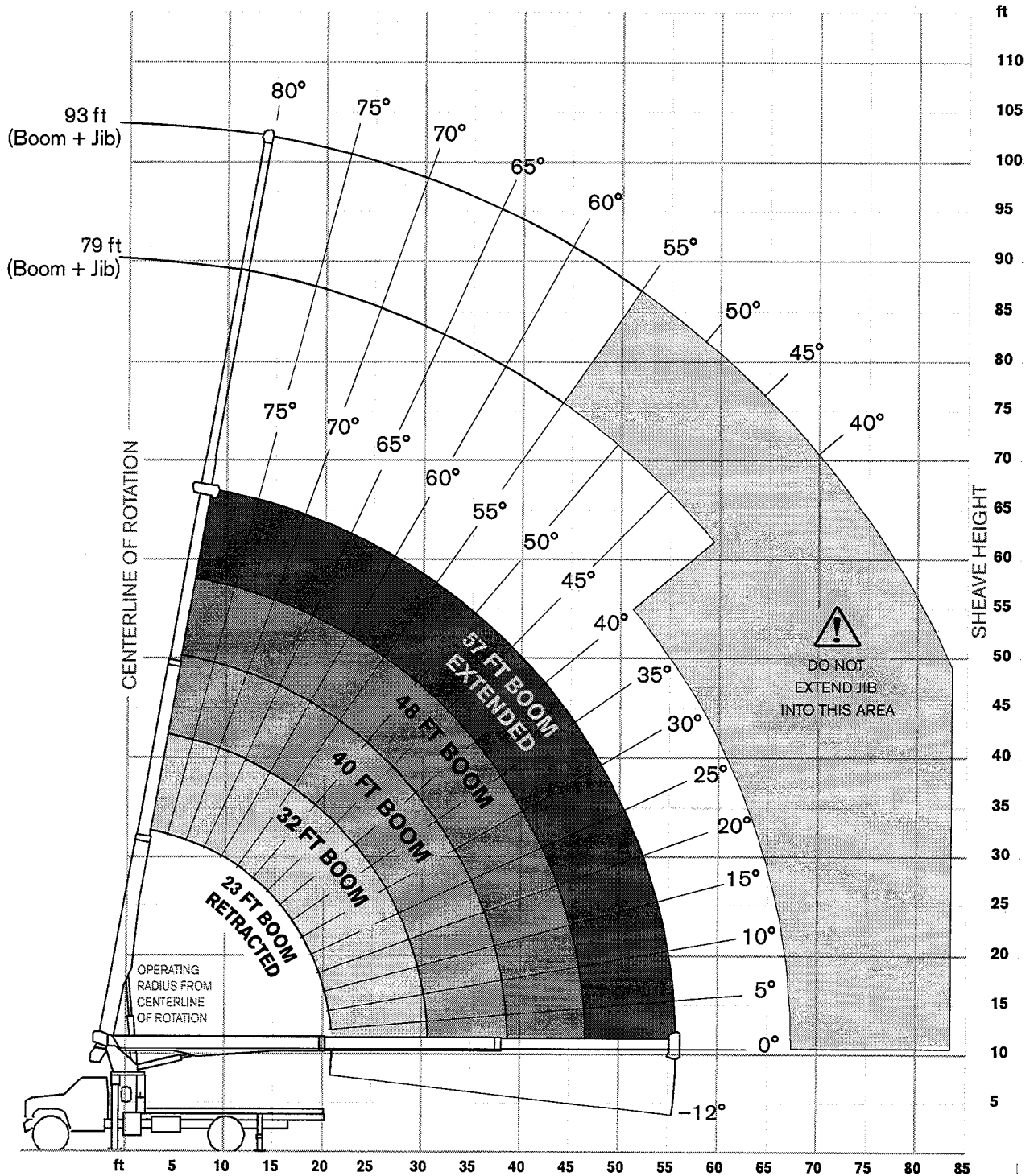
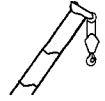
Crane Dimensions



RANGE DIAGRAM

BT 2057

Outriggers Fully Extended (100%)



BOOM LOAD CHARTS

BT 2057

Outriggers Fully Extended (100%)

Standard ASME B30.5

| ft | Boom Length | | | | | ft |
|----|-------------|--------|--------|-------|----|----|
| | 23 | 32 | 40 | 48 | 57 | |
| lb | lb | lb | lb | lb | lb | lb |
| 5 | 20,000 | | | | | 5 |
| 8 | 12,700 | 12,000 | 11,700 | | | 8 |
| 10 | 10,500 | 9,900 | 9,625 | 9,500 | | 10 |
| 12 | 9,000 | 8,500 | 8,200 | 8,000 | | 12 |
| 14 | 8,000 | 7,525 | 7,225 | 6,925 | | 14 |
| 16 | 7,125 | 6,625 | 6,425 | 6,125 | | 16 |
| 20 | 5,325 | 5,425 | 5,225 | 4,925 | | 20 |
| 21 | 4,725 | 5,125 | 4,925 | 4,625 | | 21 |
| 25 | | 4,225 | 4,125 | 3,925 | | 25 |
| 30 | | 2,825 | 3,225 | 3,225 | | 30 |
| 35 | | | 2,625 | 2,725 | | 35 |
| 38 | | | 2,025 | 2,325 | | 38 |
| 40 | | | | 2,225 | | 40 |
| 46 | | | | 1,425 | | 46 |
| 50 | | | | | | 50 |
| 55 | | | | | | 55 |

Boom at 0°

Standard ASME B30.5

| ° | Boom Length | | | | | ° |
|----|-------------|-------|-------|-------|----|----|
| | 23 | 32 | 40 | 48 | 57 | |
| lb | lb | lb | lb | lb | lb | lb |
| 0 | 3,500 | 2,100 | 1,700 | 1,000 | | 0 |

With Jib, Retracted and Extended

Standard ASME B30.5

| ft | Jib Capacities for All Boom Lengths | | | | | | | | | ft |
|----|-------------------------------------|-------|-------|-------|-------|-------|-----|-----|-----|----|
| | 80° | 75° | 70° | 65° | 60° | 55° | 50° | 45° | 40° | |
| lb | lb | lb | lb | lb | lb | lb | lb | lb | lb | lb |
| 22 | 3,150 | 2,600 | 2,000 | 1,500 | 1,200 | 1,000 | 750 | 600 | 500 | 22 |
| 36 | 1,900 | 1,480 | 1,100 | 850 | 650 | 550 | - | - | - | 36 |

Notes to lifting capacity

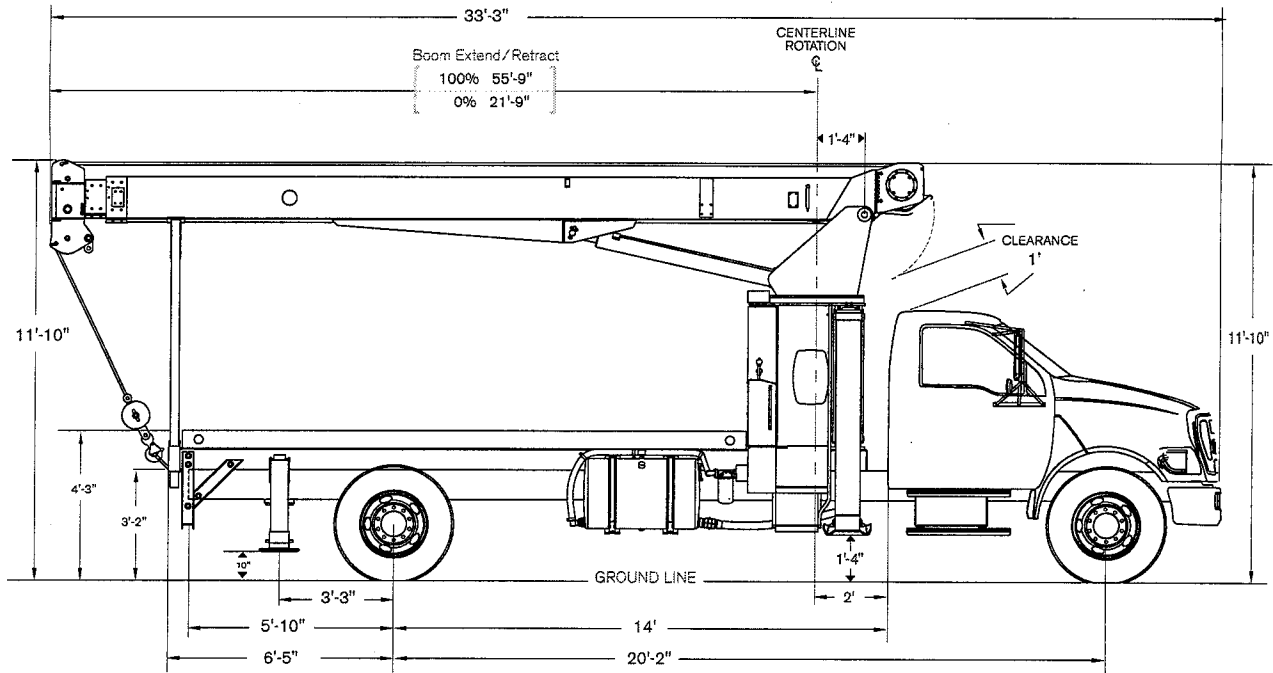
Lifting capacities do not exceed 85% of tipping load. Weight of hook blocks and slings is part of the load, and is to be deducted from the capacity ratings. Consult operation manual for further details.

Note: Data published herein is intended as a guide only and shall not be construed to warrant applicability for lifting purposes. Crane operation is subject to the computer charts and operation manual both supplied with the crane.

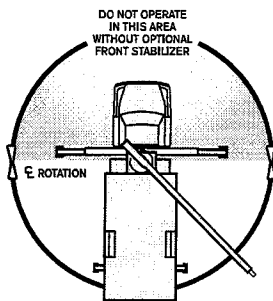
DIMENSIONS

BT 2057

Crane Dimensions



Area of Operation



Mounting Specifications

Chassis recommendation

| | |
|-----------------------------------|-----------------|
| Gross vehicle weight rating | 33,000 lb |
| Front axle weight rating | 12,000 lb |
| Rear axle weight rating | 21,000 lb |
| Crane weight | 10,850 lb |
| Wheelbase | 230 +/- 4 in |
| Cab to axle | 156 +/- 4 in |
| Afterframe | 80 +/- 4 in |
| RBM per framerail | 1,200,000 lb/in |