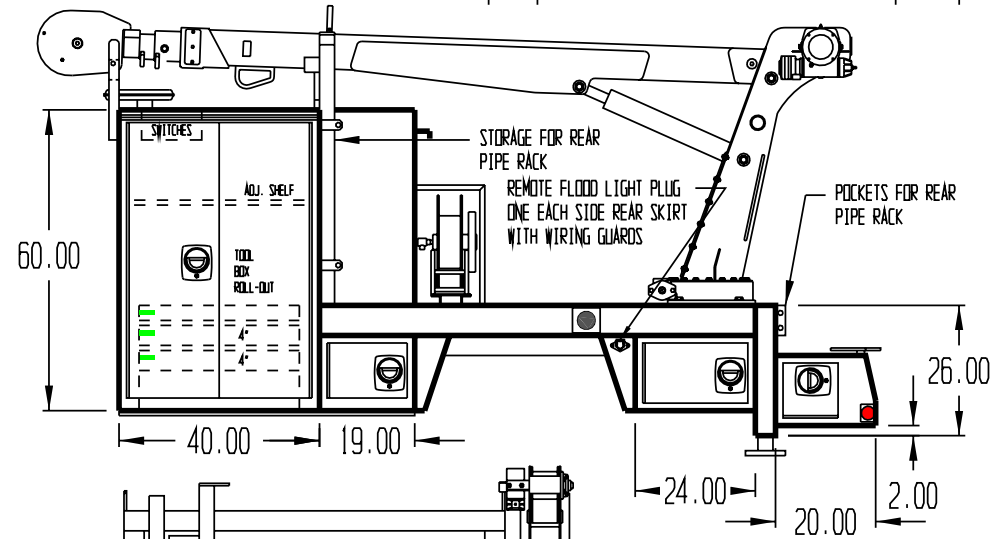
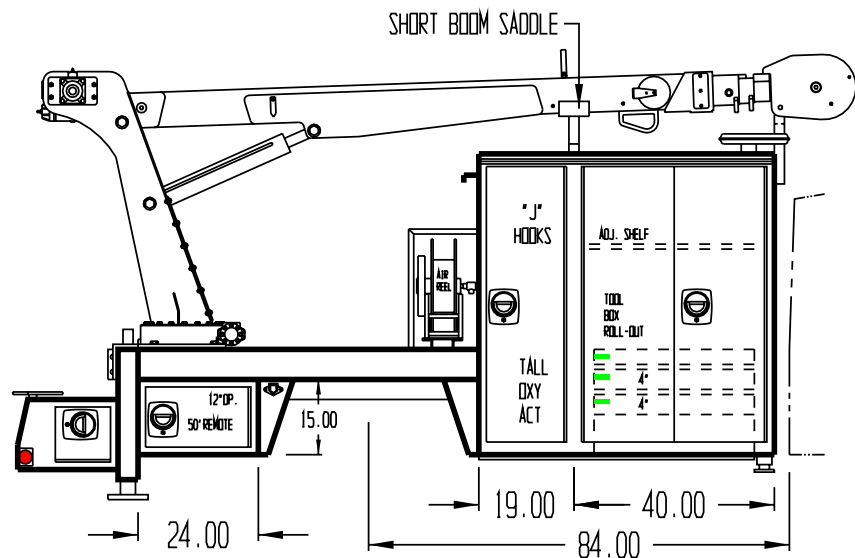
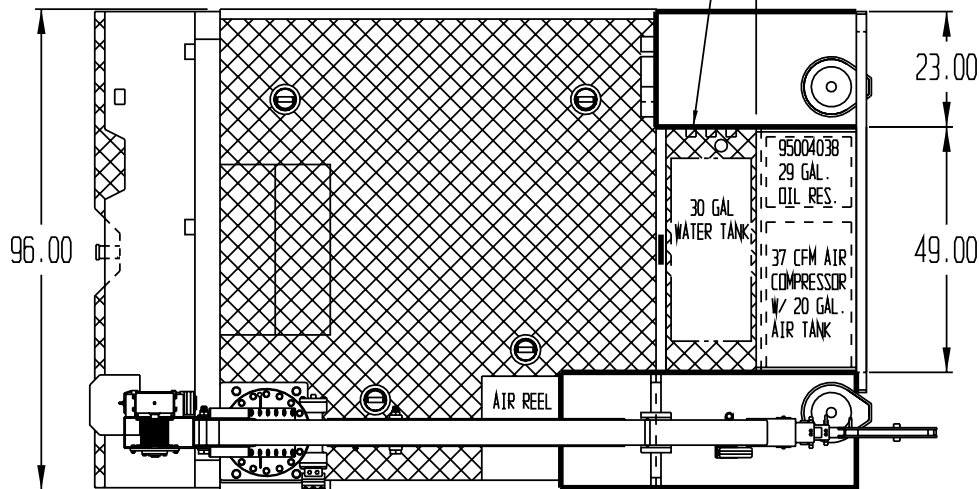


REVISIONS			
REV.	DESCRIPTION	DATE	APPROV.



STANDARD SOLID/MESH BULKHEAD 20.00

BALL VALVE, REGULATOR, & AIR GAUGE MOUNTED ON INSIDE WALL



NOTE: INTERIOR LIGHTS  
(2) 36" SS & CS 1  
(3) 6" ROUND, SS 2, 3 & CS 3

NOTE: LINE-X CARGO CENTER DECK FLOOR AND WORKBENCH BUMPER

PLEASE REPORT ANY ERRORS FOUND ON THIS PRINT

THIS PRINT CONTAINS CONFIDENTIAL INFORMATION AND IS THE SOLE PROPERTY OF MAINTAINER CORP. OF IOWA INC. AND IS NOT TO BE COPIED OR REPRODUCED WITHOUT THE EXPRESSED WRITTEN PERMISSION OF MAINTAINER CORP. OF IOWA INC.

PROPRIETARY DATA PROPERTY OF MAINTAINER CORPORATION OF IOWA, INC.  
COPYRIGHT © 2001

LODS DIMENSIONS ARE IN INCHES  
GENERAL TOLERANCES

BREAK ALL EDGES .01 X 45°	ANGULAR ± 1° .XX ± .03 .XXX ± .005 FRACT ± 1/32
LODS RADII	LODS ANGLES

MATERIAL:

SCALE: 1:26 SIZE: B

DRAWING NUMBER: R239

*Maintainer*  
Corporation of Iowa, Inc.  
P.O. Box 349 1701 S. 2nd Avenue  
Sheldon, Iowa 51201

DFTM. BESAW DATE: 5-11-01

MADE IN THE USA

MTG-6-1-084

NEIL TECH SERVICES